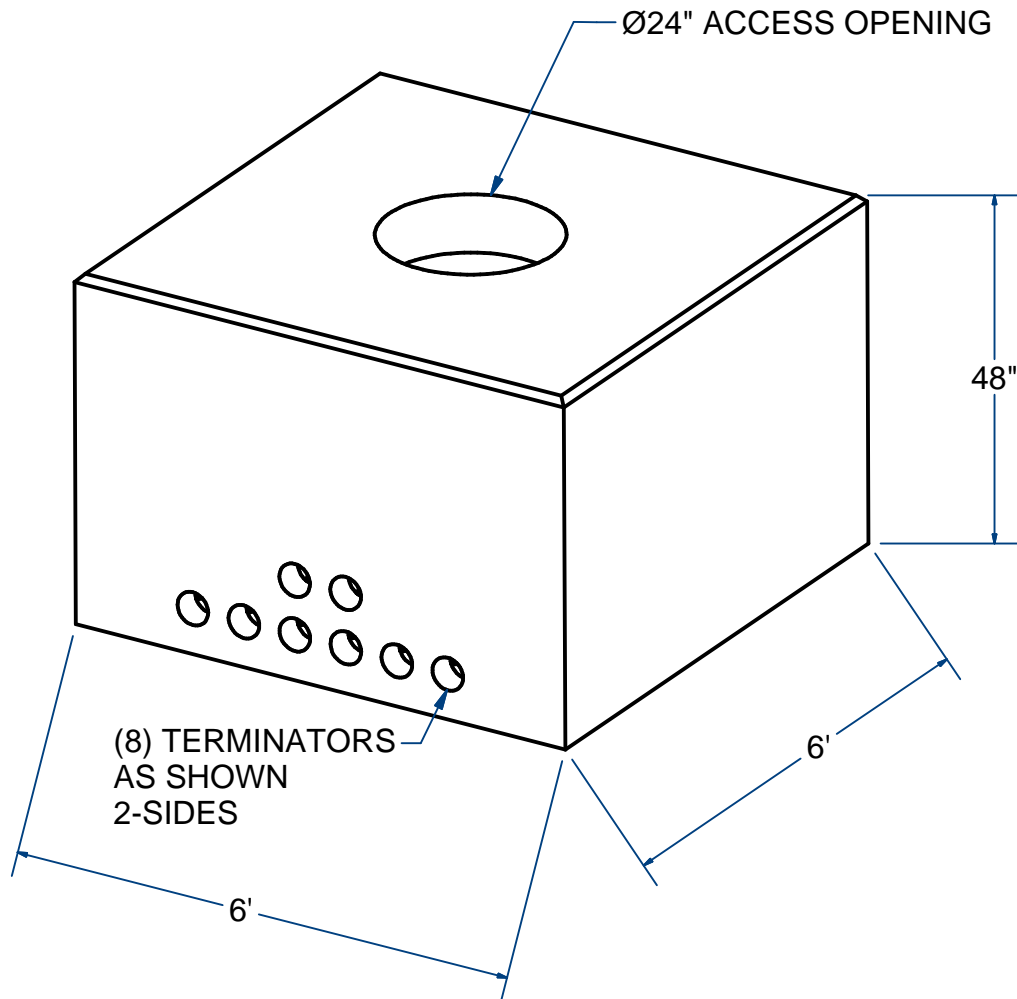


NOTES:
1.) OPTIONAL : FRAME & COVER



METER PIT 6' X 6'

H20

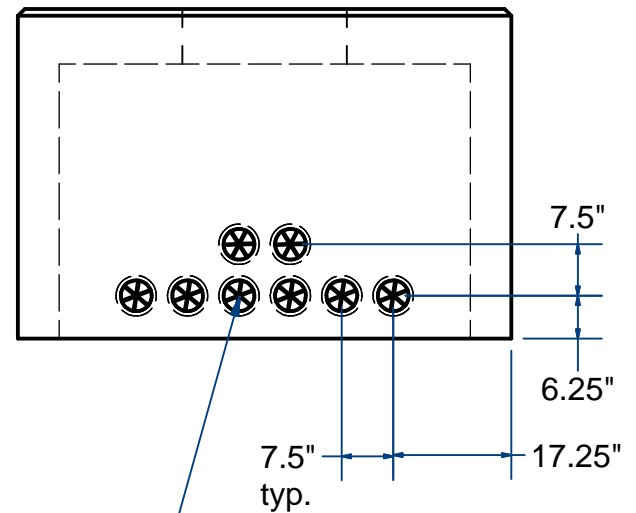
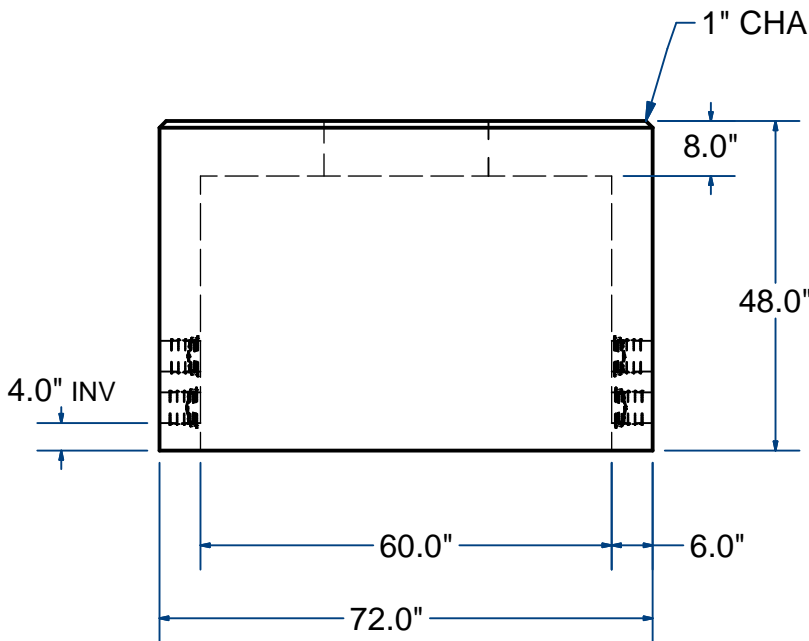
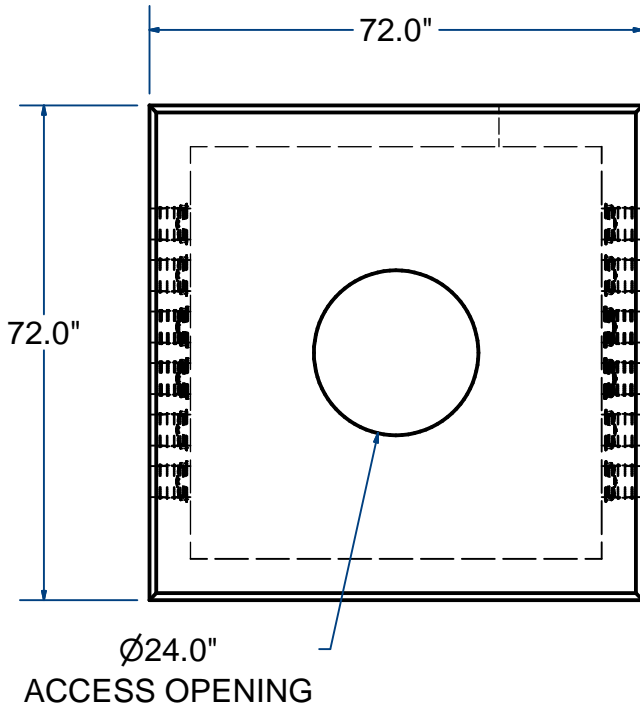
PROVINCETOWN / STANDARD SPEC

ACME-SHOREY

PRECAST CONCRETE PRODUCTS

NOTES:

1.) OPTIONAL : FRAME & COVER



Ø4" UNI-DUCT TERMINATORS
(8) PER SIDE (ON 2-SIDES)
THRU

NAME: METER PIT 6' X 6'
(PROVINCETOWN SPEC / STANDARD SPEC)

H-20 ITEM# MP6X62

Concrete Minimum Strength: 5,000 p.s.i. at 28 days
Steel Reinforcement: ASTM A615, Grade 60
Design Loading: standard units - AASHTO - H20

WEIGHT 8,900 Lbs

H DATE: 12-12-24

Ch 21 Pg 2.2 Sht 2 of 2