

ACME-SHOREY

PRECAST CONCRETE PRODUCTS

WWW.ACMESHOREY.COM

PHONE (508) 548-9607

FAX (508) 548-1664

CARVER, MA

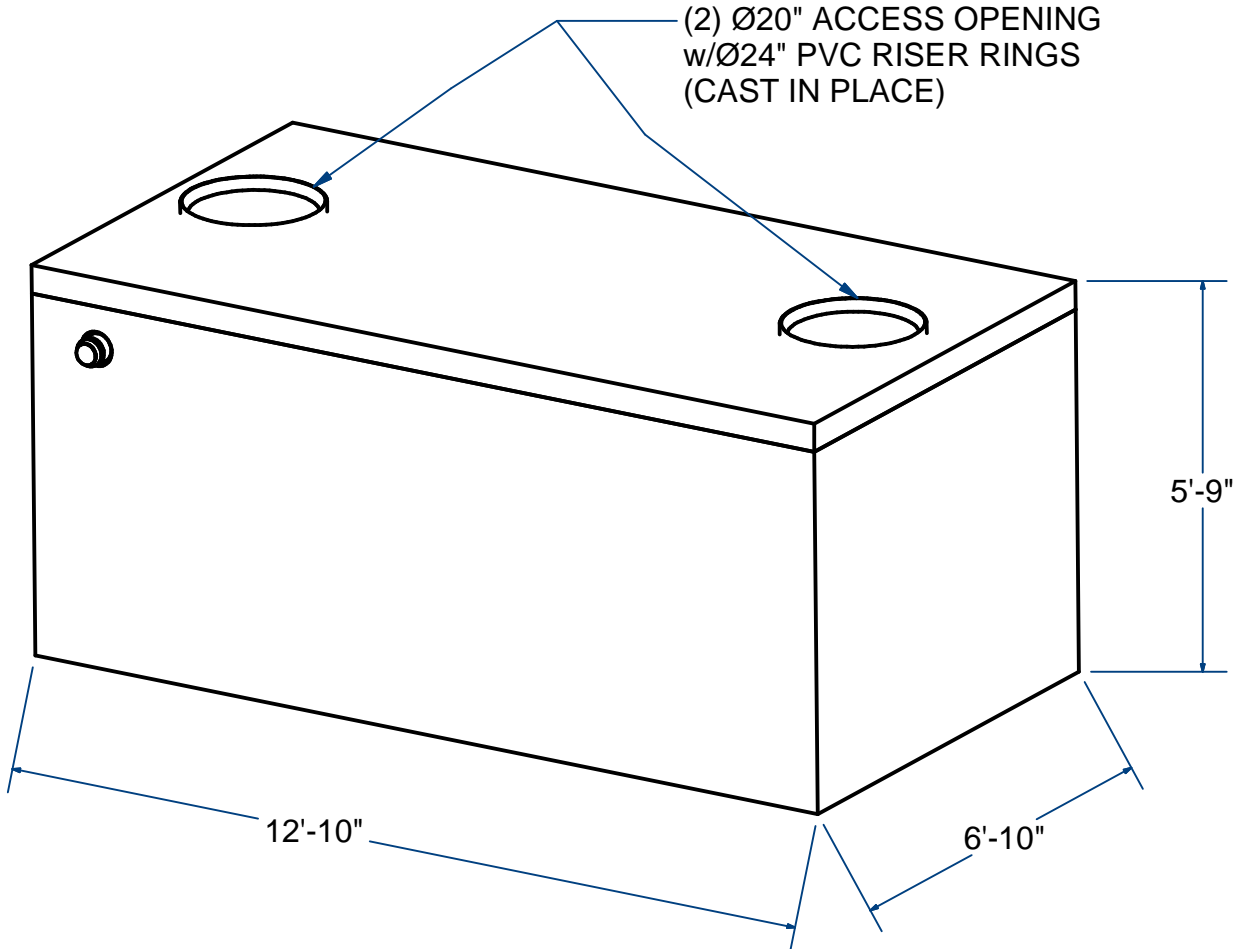
334 TREMONT STREET

HARWICH, MA

36 GREAT WESTERN ROAD

NOTES:

- 1.) SEAM SEALED WITH FLEXIBLE BUTYL RUBBER SEALANT.



ADVANTEX PROCESS TANK, MONO (2 COMPARTMENT)

H10

2,000 Gallon

FOR PROCESS INFO
PLEASE CONTACT:

Advantex[®]
Treatment Systems
ORENCO SYSTEMS
(800) 348-9843
info@orencosystems.com
www.orencosystems.com

ITEM# AX20-20M

Wt. 20,600 Lbs

7 -1.2

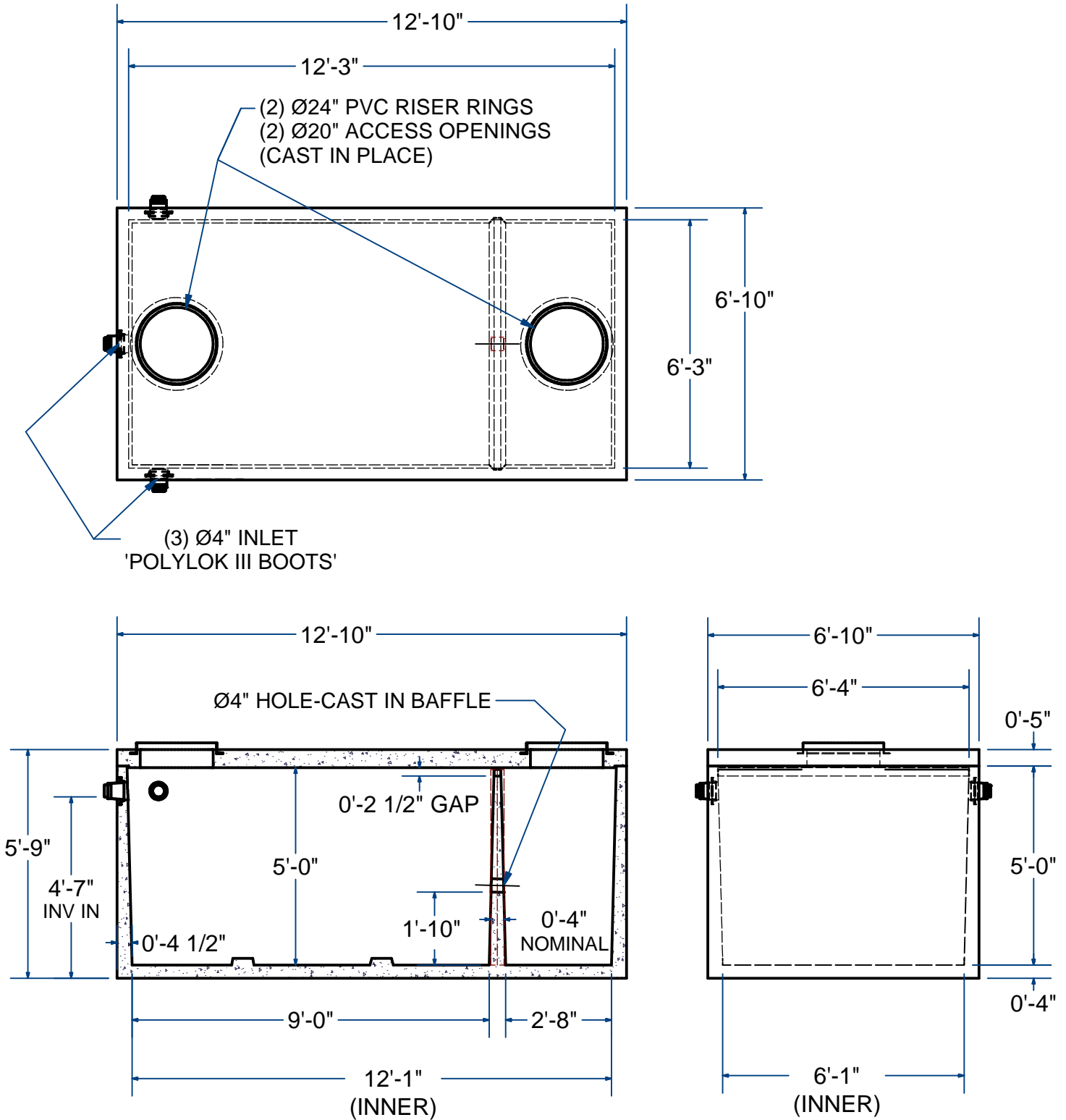
Sht 1 of 2

ACME-SHOREY

PRECAST CONCRETE PRODUCTS

NOTES:

- 1.) SEAM SEALED WITH FLEXIBLE BUTYL RUBBER SEALANT.



NAME: ADVANTEX PROCESS TANK, 2000Gal., MONO H-10

ITEM# AX20-20M

Concrete Minimum Strength: 4,000 p.s.i. at 28 days
Steel Reinforcement: ASTM A615, Grade 60
Design Loading: standard units - AASHTO - H10

TOP 5,600 Lbs
BOTTOM 15,000 Lbs

H

DATE: 1-10-2020

Ch 7 Pg 1.2 Sht 2 of 2