

ACME-SHOREY

PRECAST CONCRETE PRODUCTS

WWW.ACMESHOREY.COM

PHONE (508) 548-9607

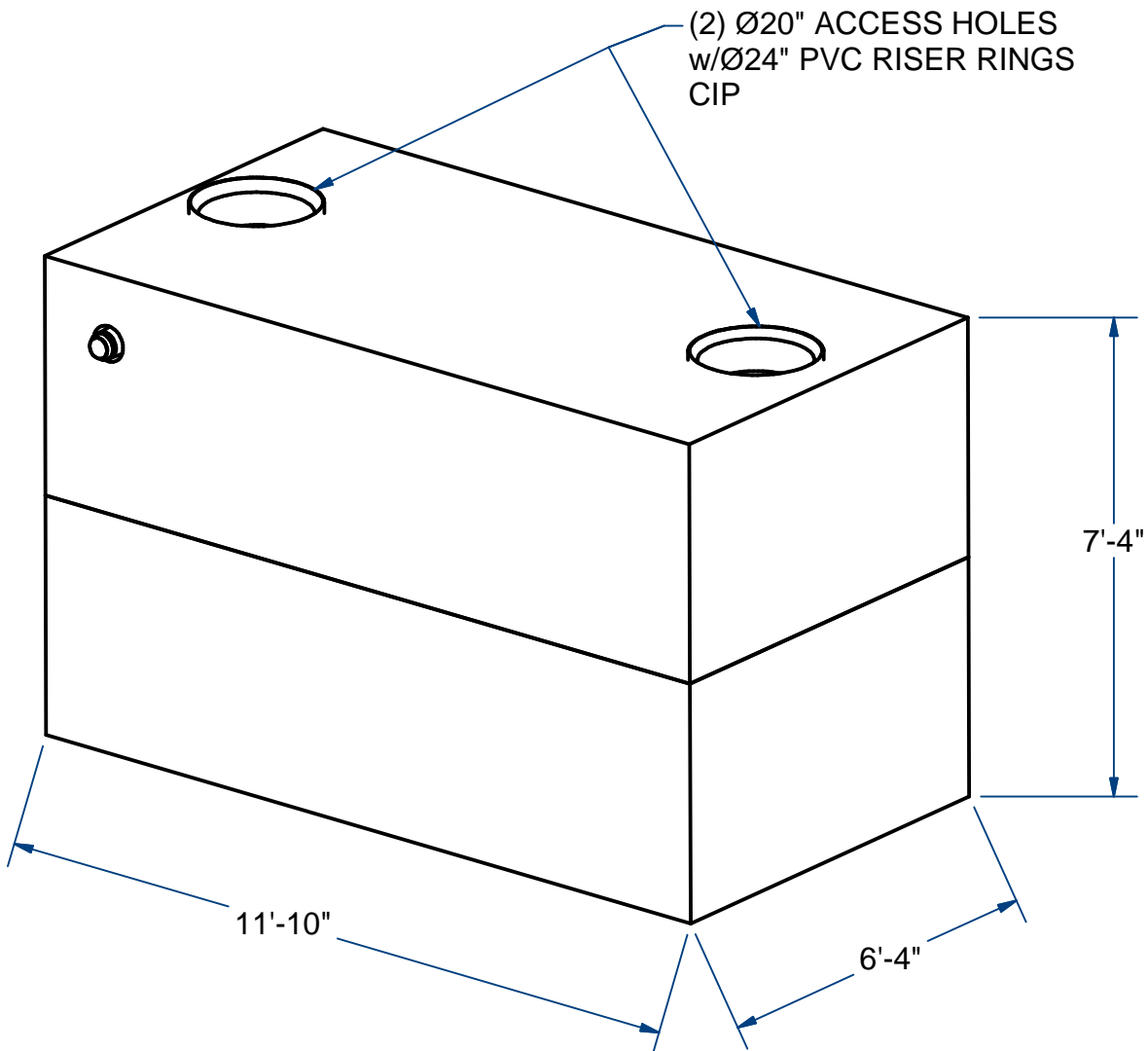
FAX (508) 548-1664

CARVER, MA
334 TREMONT STREET

HARWICH, MA
36 GREAT WESTERN ROAD

NOTES:

- 1.) SEAM SEALED WITH FLEXIBLE BUTYL RUBBER SEALANT.



ADVANTEX PROCESS TANK, 2-PIECE (2-COMPARTMENT)

H10

2,500 GALLON

FOR PROCESS INFO
PLEASE CONTACT:

Advantex[®]
Treatment Systems
ORENCO SYSTEMS
(800) 348-9843
info@orencosystems.com
www.orencosystems.com

ITEM# AX20-25

Wt. 25,000 Lbs

7 -1.3

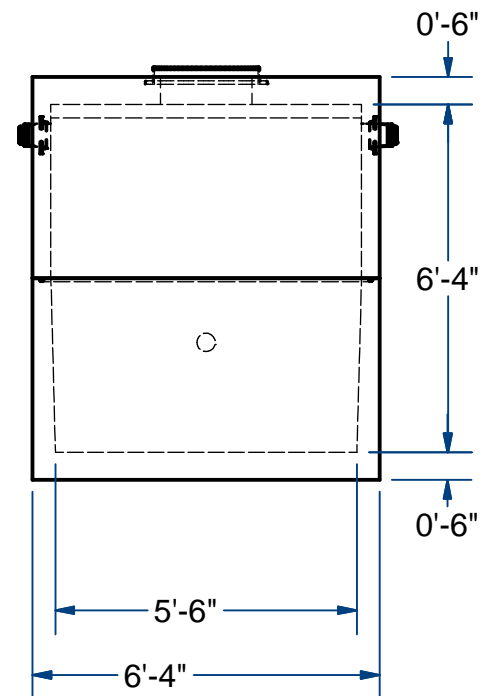
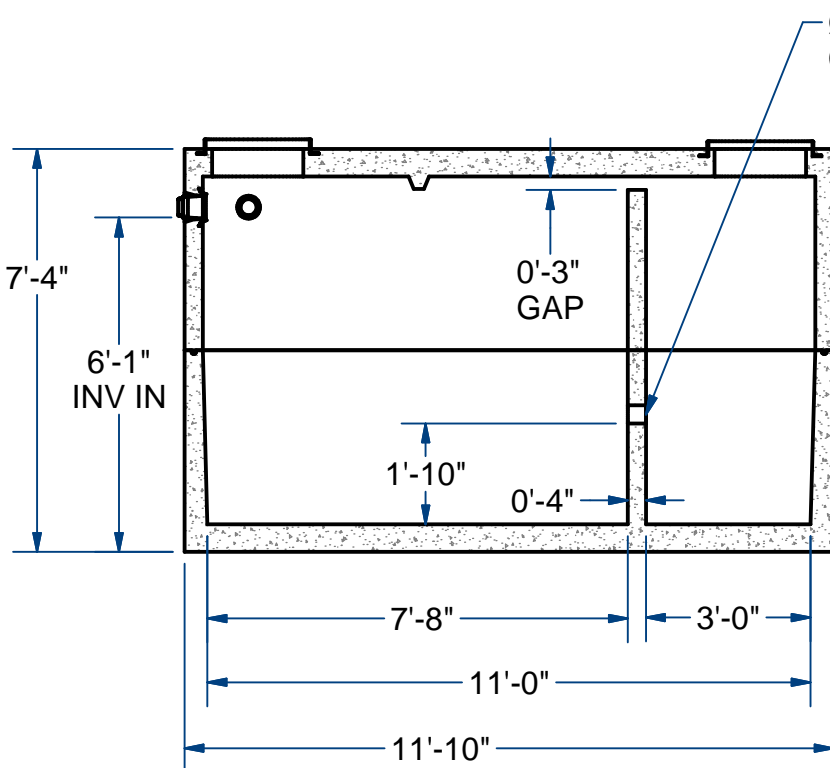
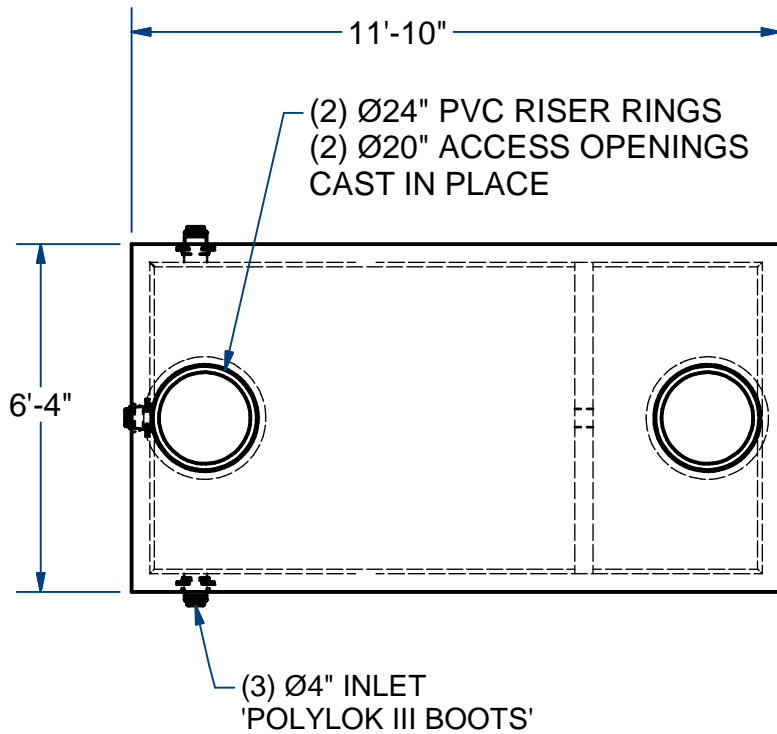
Sht 1 of 2

ACME-SHOREY

PRECAST CONCRETE PRODUCTS

NOTES:

- 1.) SEAM SEALED WITH FLEXIBLE BUTYL RUBBER SEALANT.



NAME: ADVANTEX PROCESS TANK 2,500 GALLON H-10

ITEM# AX20-25

Concrete Minimum Strength: 4,000 p.s.i. at 28 days
Steel Reinforcement: ASTM A615, Grade 60
Design Loading: standard units - AASHTO - H10

TOP 12,000 Lbs
BOTTOM 13,000 Lbs

H

DATE: 1-13-20

Ch 7 Pg 1.3 Sht 2 of 2