

ACME-SHOREY

PRECAST CONCRETE PRODUCTS

CARVER, MA 02330
334 TREMONT STREET

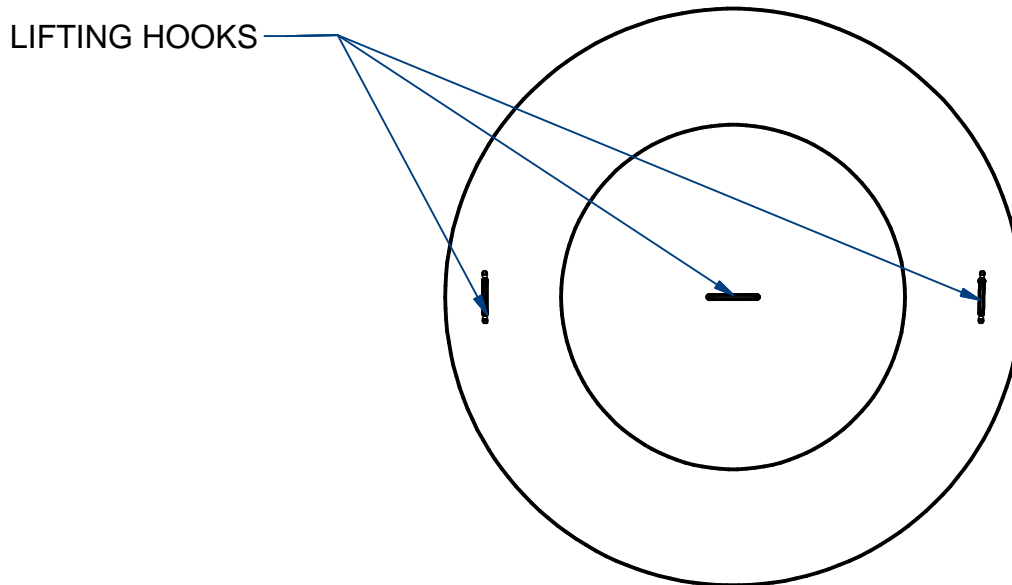
WWW.ACMeshOREY.COM

PHONE (508) 548-9607

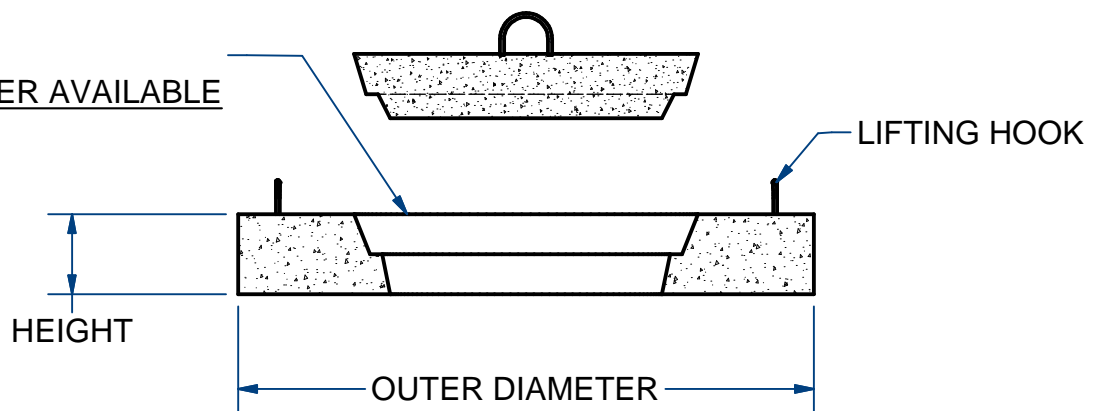
FAX (508) 548-1664

HARWICH
36 GREAT WESTERN ROAD

Part#	Description - Covers- H20	Outer Dia	Height	Ctr Covers	Wt. (Lbs)	Sct.	
SC332	Special Cover, Heavy Duty (Includes ctr	33"od	6"	ø21"	445	13 - 7.1	A
C322	Cover, Flat	32"od	5"	n/a	350	13 - 7.2	A
C362	Cover, Flat	36"od	5"	n/a	450	13 - 7.3	S
C62	Cover(24" dia Access hole in Ctr)	72"od	8"	ø24" access	2,520	13 - 7.4	AS
C620	Cover(24" dia Access hole Offset)	72"od	8"	ø24" access	2,520	13 - 7.5	A
C82	Cover(24" dia Access hole Offset)	96"od	8"	ø24" access	4,750	13 - 7.6	A



Ø24" ACCESS
OR SMALL COVER AVAILABLE



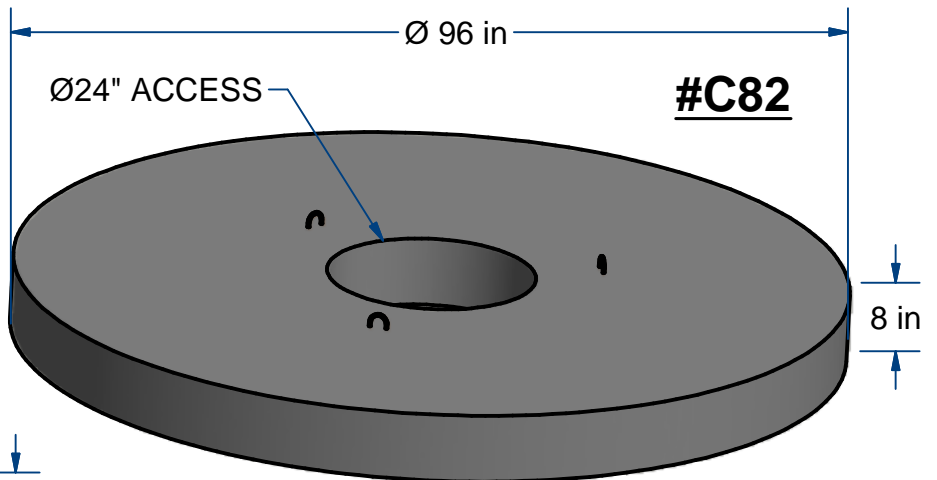
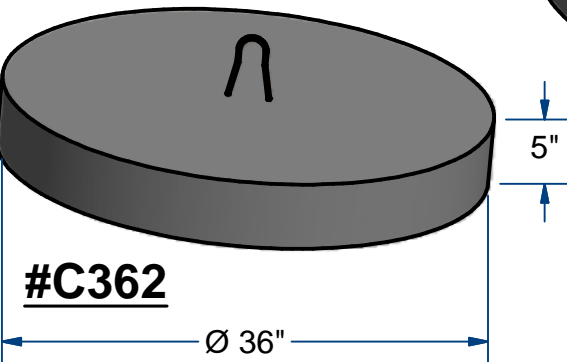
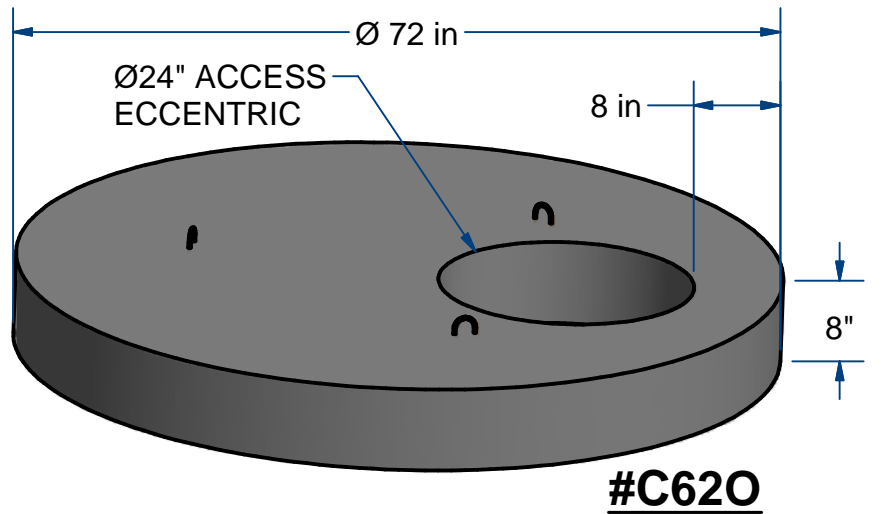
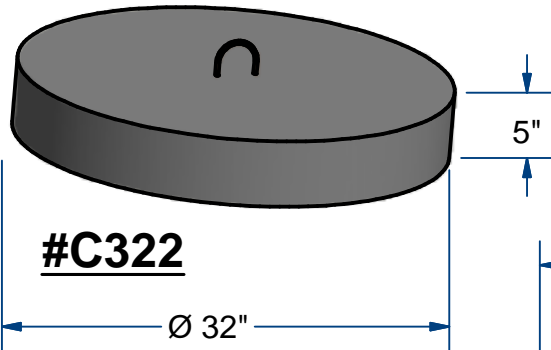
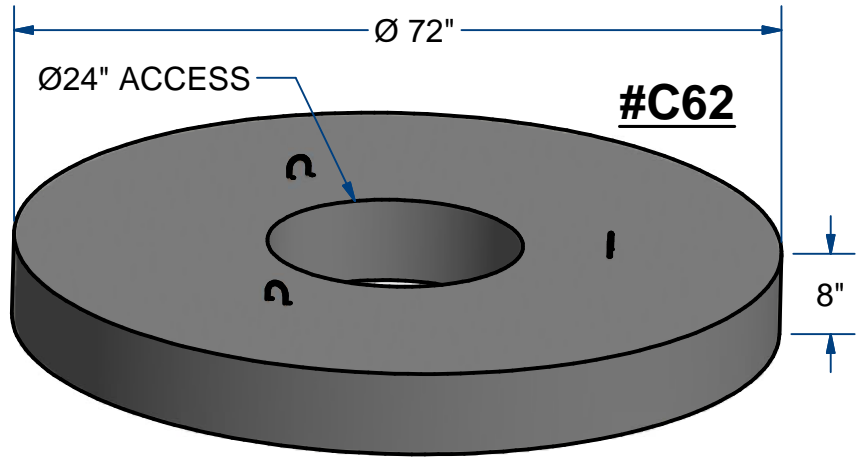
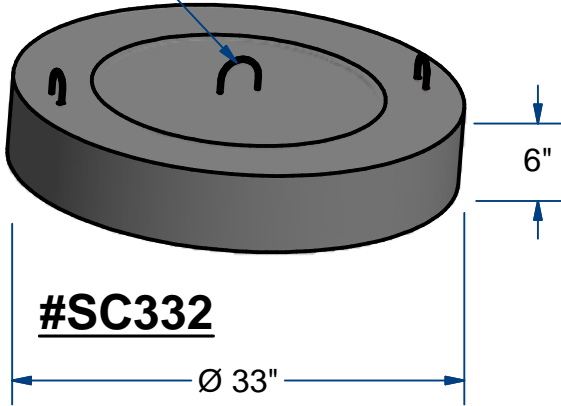
PRECAST CONCRETE COVERS - H20

ACME-SHOREY

PRECAST CONCRETE PRODUCTS

CHPT 13

INCLUDES CENTER ACCESS COVER



PRECAST CONCRETE COVERS - H20