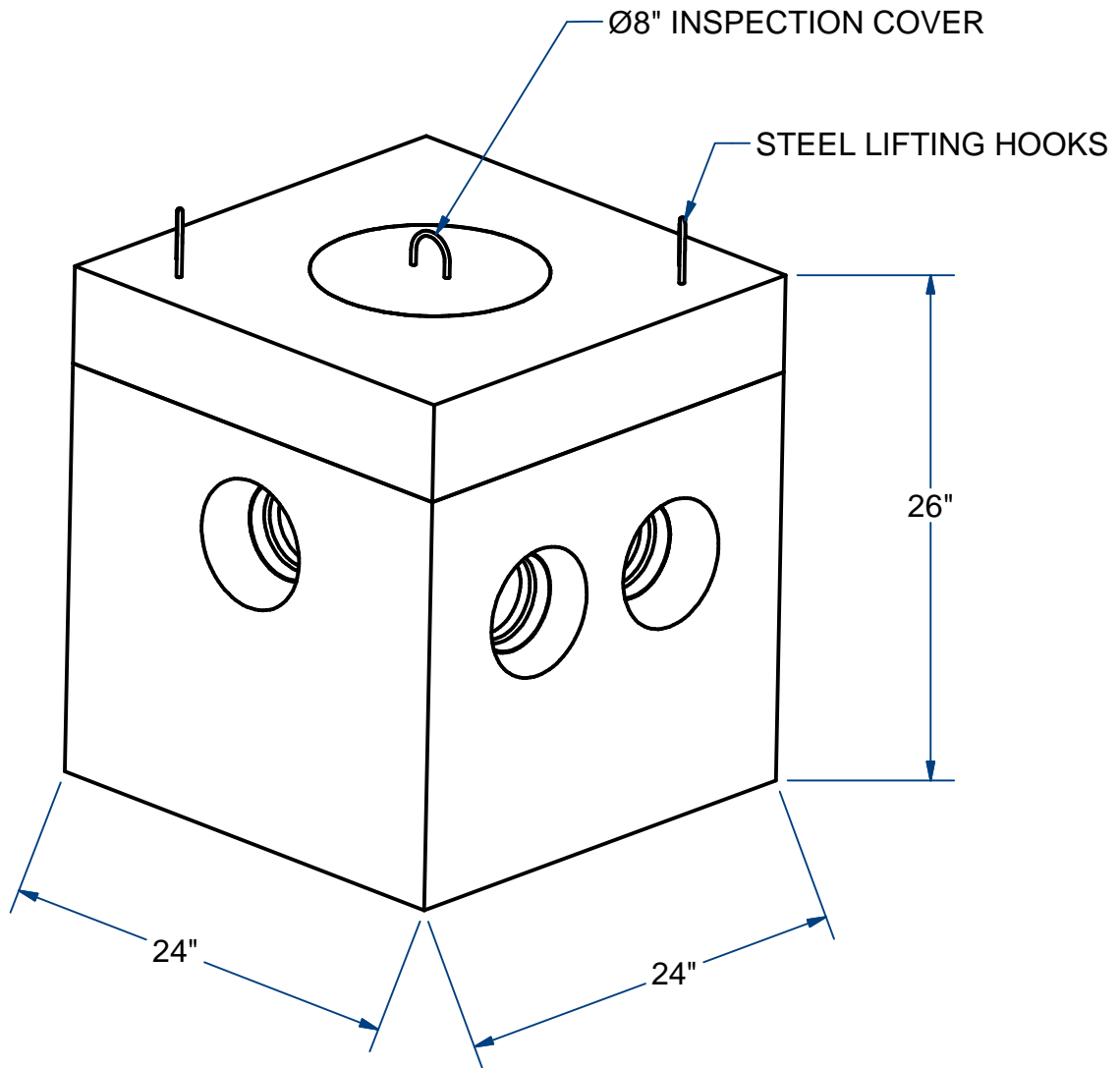


NOTES:
1.) AVAILABLE RISERS
DBR682 (8" Ht.) & DBR6192 (19" Ht.)



DISTRIBUTION BOX (24" x 24")

H20

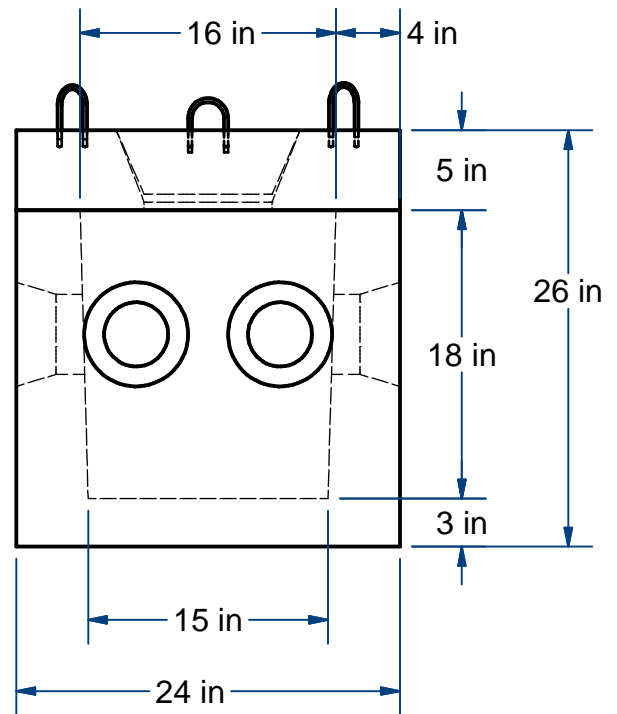
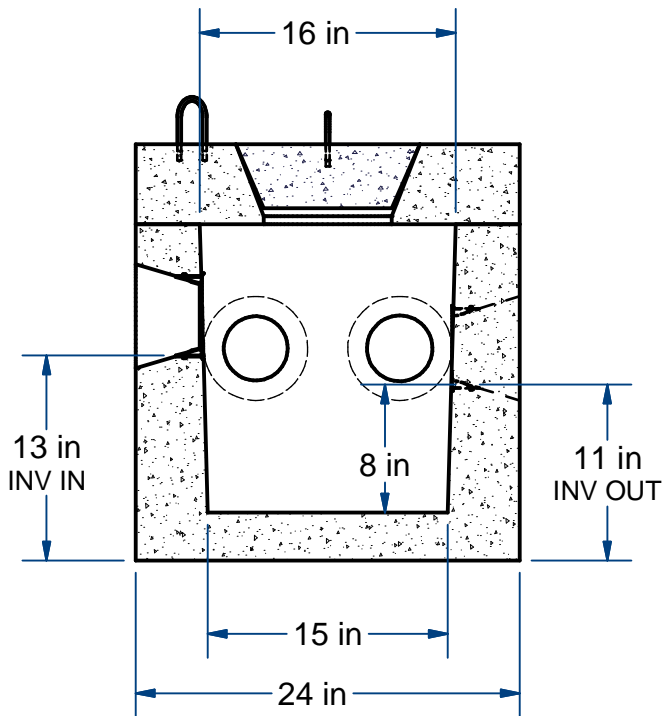
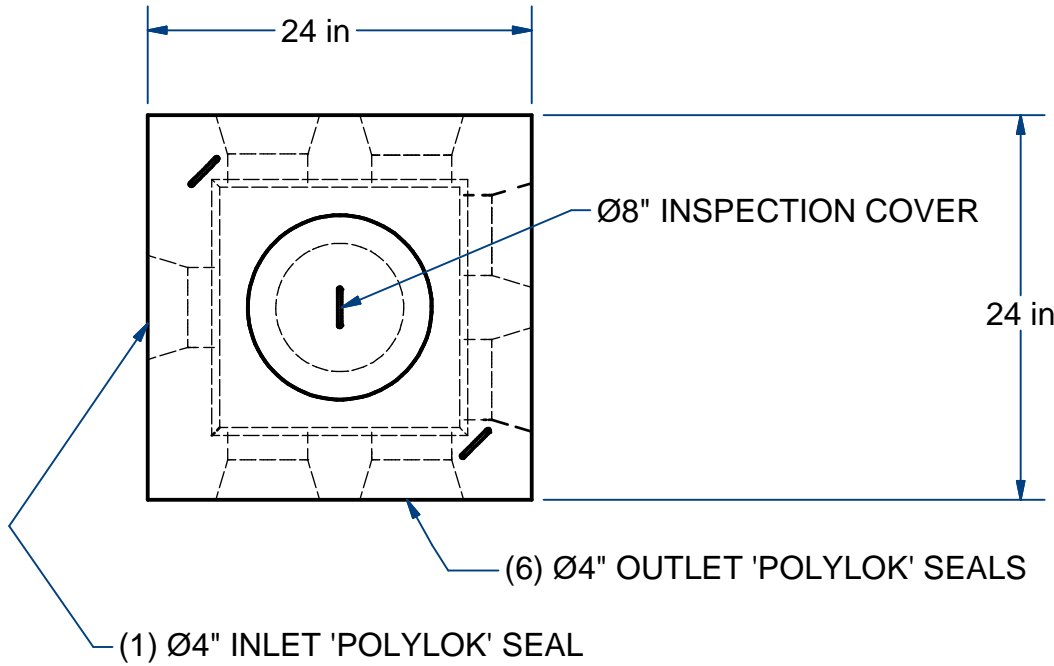
6 OUTLETS

ACME-SHOREY

PRECAST CONCRETE PRODUCTS

NOTES:

- 1.) AVAILABLE RISERS
8" Ht (DBR682). & 19" Ht.(DBR6192)



NAME: DISTRIBUTION BOX ,6 OUTLETS

H-20

ITEM# DB62

Concrete Minimum Strength: 5,000 p.s.i. at 28 days
Steel Reinforcement: ASTM A615, Grade 60
Design Loading: standard units - AASHTO - H20

TOP 150
BOTTOM 500

Lbs
Lbs

H

DATE: 11-8-2019

Ch 11 Pg 2.2 Sht 2 of 2