

# ACME-SHOREY

PRECAST CONCRETE PRODUCTS

WWW.ACMESHOREY.COM

PHONE (508) 548-9607

FAX (508) 548-1664

CARVER, MA

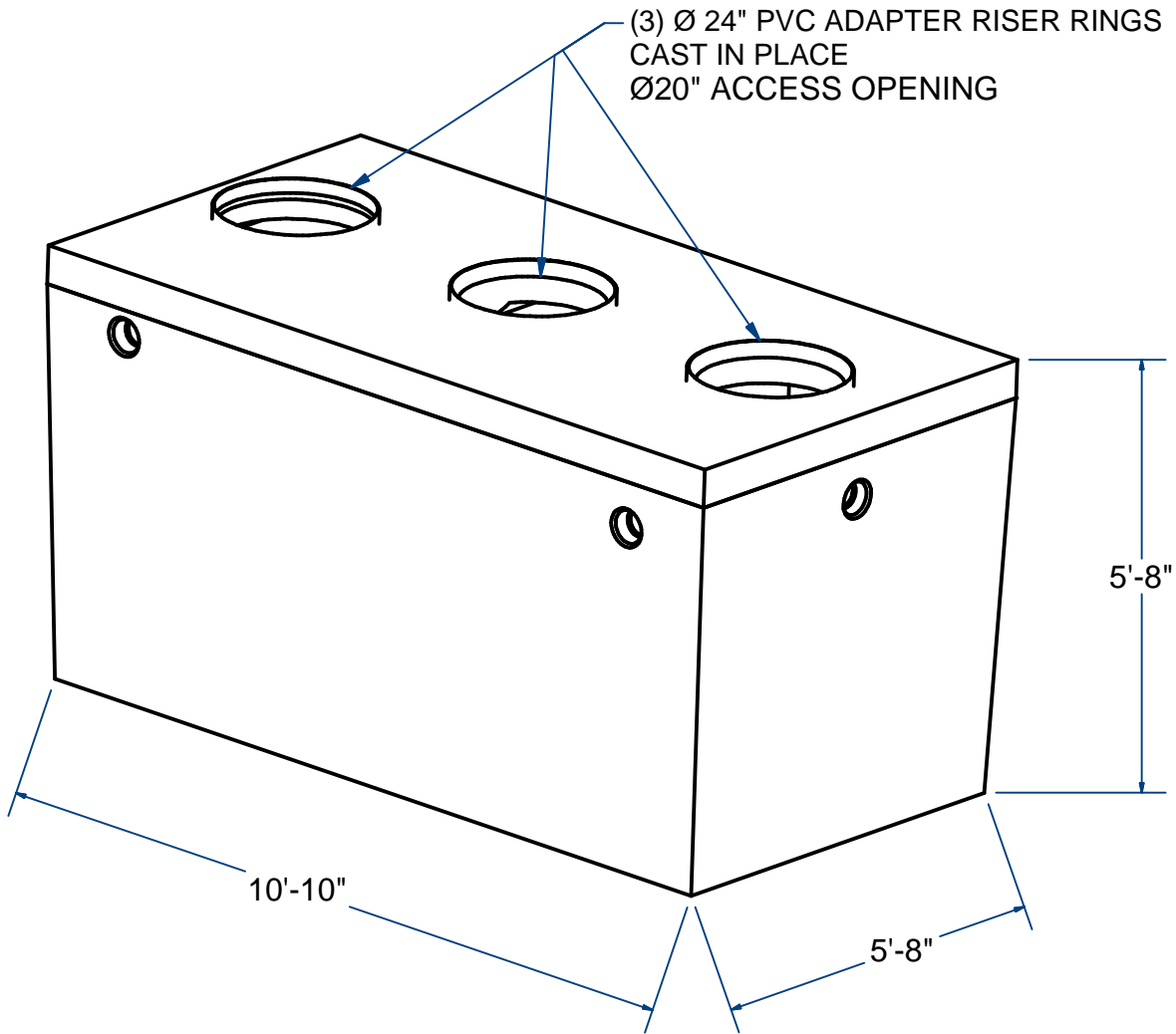
334 TREMONT STREET

HARWICH, MA

36 GREAT WESTERN ROAD

### NOTES:

- 1.) SEAM SEALED WITH FLEXIBLE BUTYL RUBBER SEALANT.



## ELIMINITE, MONO 2-COMPARTMENT

1500 Gallon

H10

FOR PROCESS INFO  
PLEASE CONTACT:

ELIMINITE  
(888) 406-2289  
info@eliminite.com  
www.eliminite.com



ITEM# EL15M-120C

Wt. 13,500 Lbs

7 -2.1

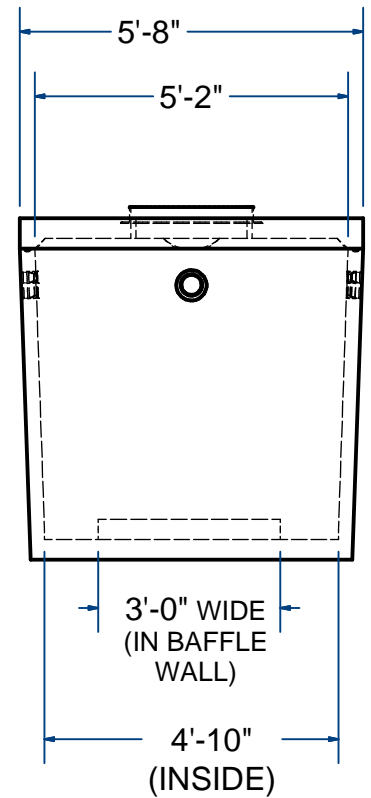
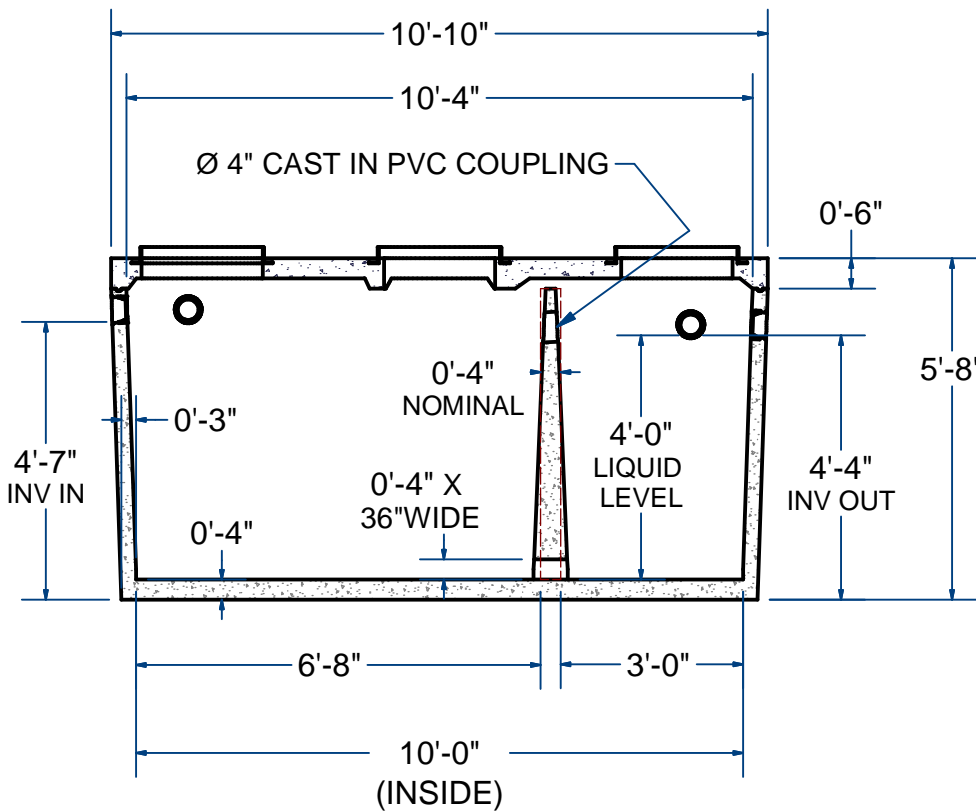
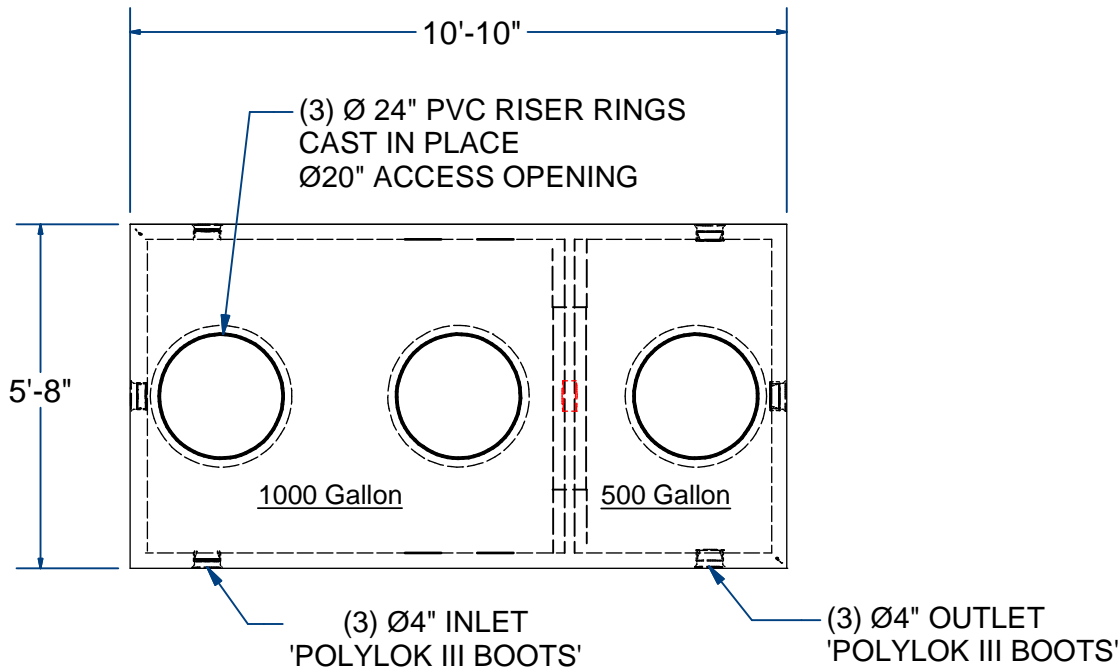
Sht 1 of 2

# ACME-SHOREY

PRECAST CONCRETE PRODUCTS

**NOTES:**

- 1.) SEAM SEALED WITH FLEXIBLE BUTYL RUBBER SEALANT.



**NAME: ELIMINITE TANK, 1500 Gallon, MONO**

**H-10**

**ITEM# EL15M-120C**

Concrete Minimum Strength: 4,000 p.s.i. at 28 days  
 Steel Reinforcement: ASTM A615, Grade 60  
 Design Loading: standard units - AASHTO - H10

TOP 3,500 Lbs  
 BOTTOM 10,000 Lbs

C

DATE: 2-6-2020

Ch 7 Pg 2.1 Sht 2 of 2