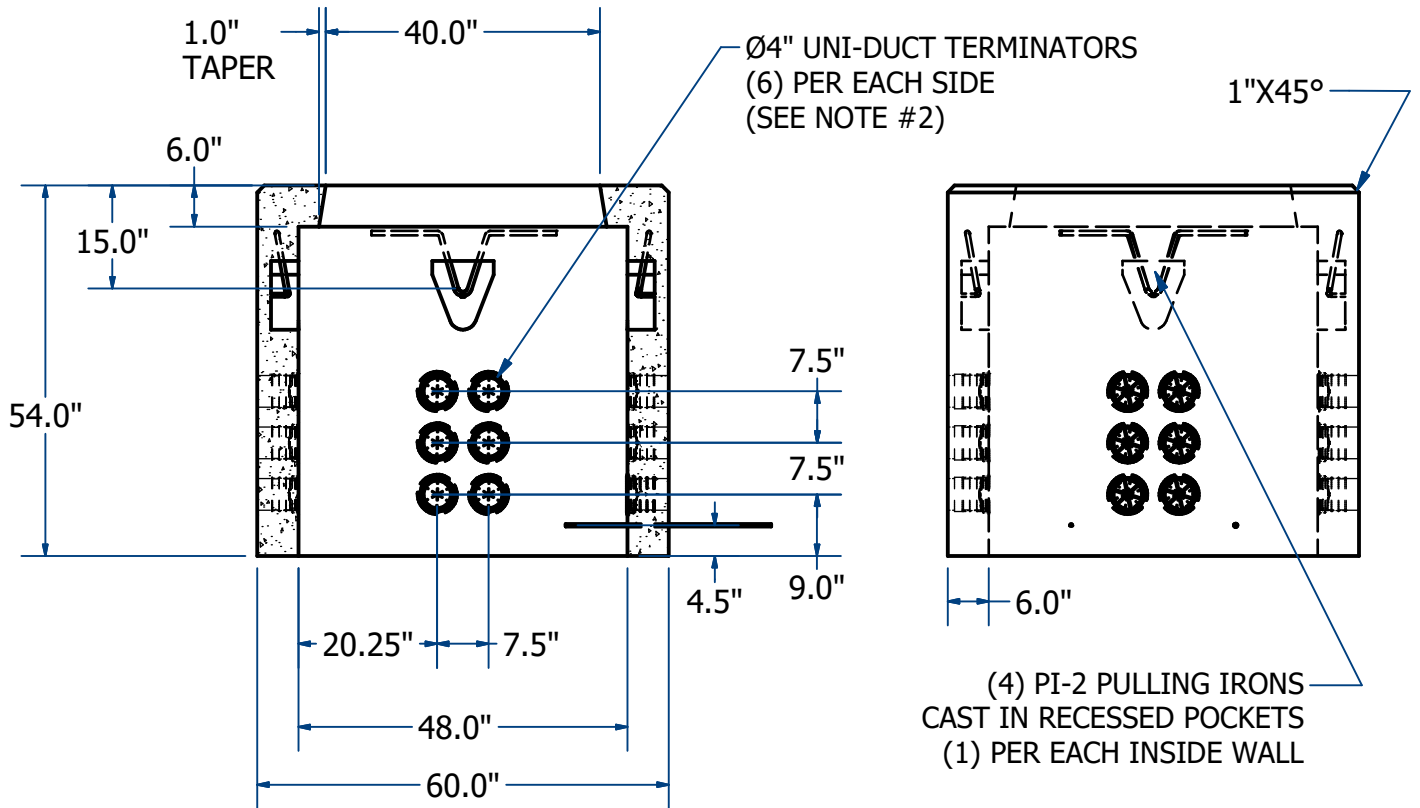
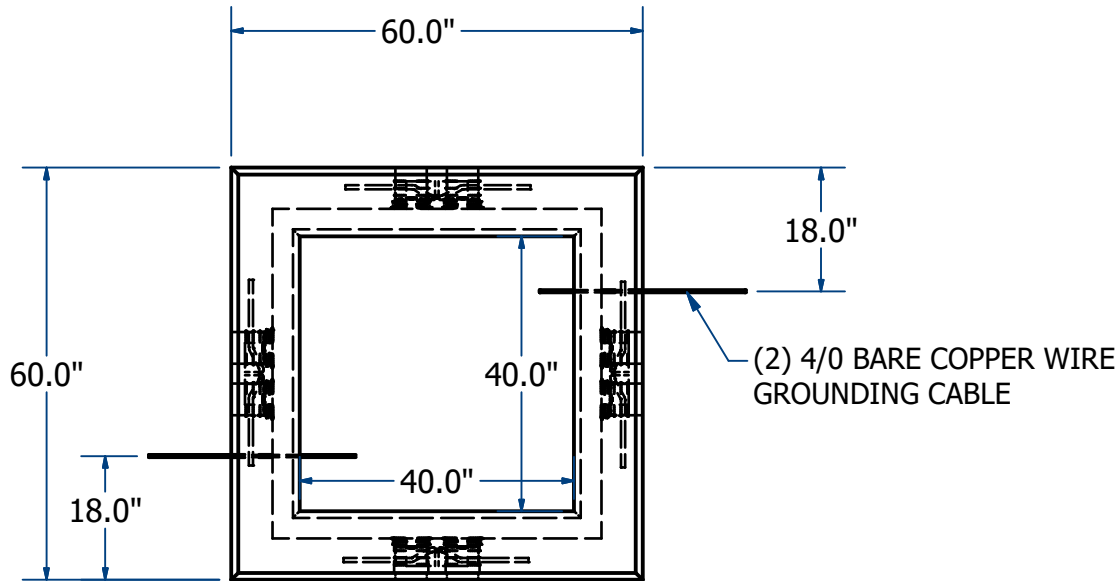


**PRIMARY/SECONDARY
PULL BOX FOUNDATION (NE-15C)
SINGLE PHASE**

H20

ACME-SHOREY

PRECAST CONCRETE PRODUCTS



NAME: PULLBOX FOUNDATION (NE-15C)
(PRIMARY / SECONDARY - SINGLE PHASE)

H-20 ITEM# EM1208

Concrete Minimum Strength: 5,000 p.s.i. at 28 days
Steel Reinforcement: ASTM A615, Grade 60
Design Loading: standard units - AASHTO - H20

WEIGHT 6,100 Lbs

C

DATE: 10-5-21

Ch 23 Pg 4.3 Sht 2 of 2