

**PULL BOX, 6' X 8' x 7'-6" Ht
UTILITY VAULT (NE-17A)**

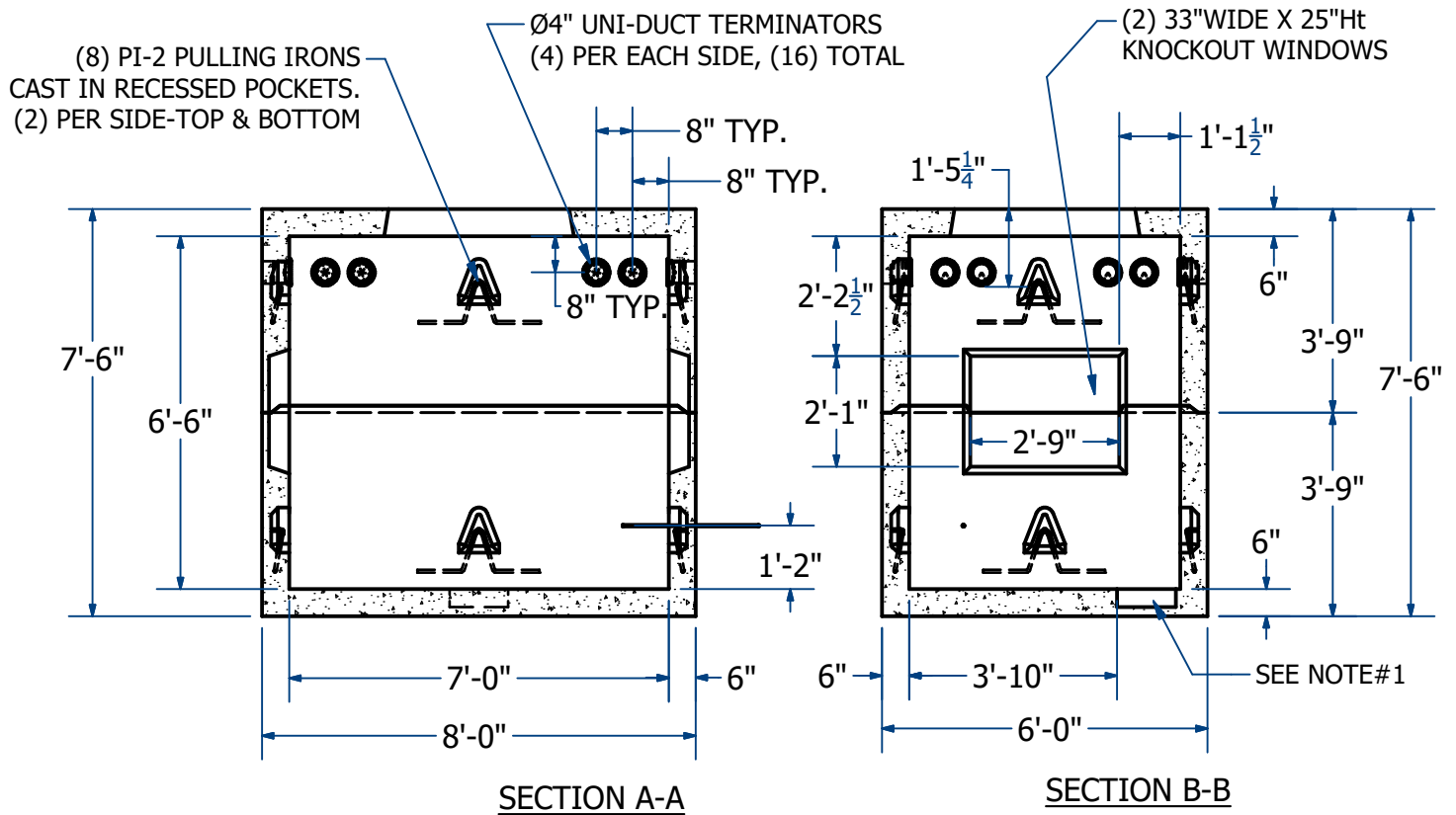
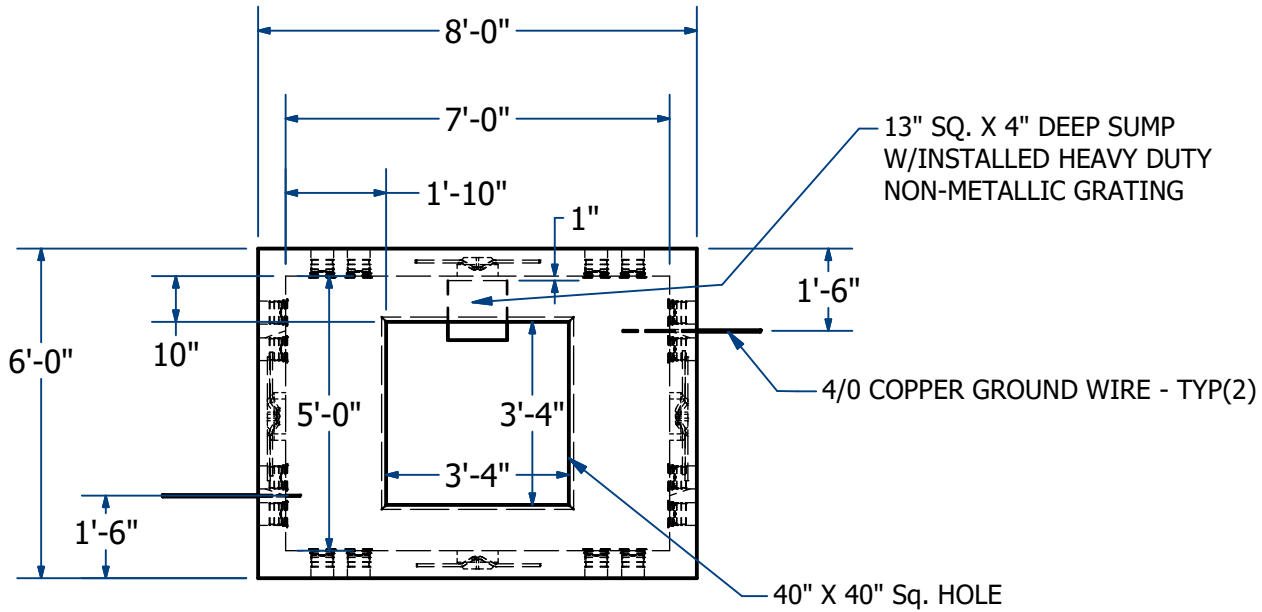
3 PHASE

H20

ACME-SHOREY

PRECAST CONCRETE PRODUCTS

NOTES:
1.) SUMP PAN



NAME: PULLBOX, UTILITY VAULT 6' X 8' (NE-17A)
(3 PHASE)

H-20 **ITEM# EM1209**

Concrete Minimum Strength: 5,000 p.s.i. at 28 days
Steel Reinforcement: ASTM A615, Grade 60
Design Loading: standard units - AASHTO - H20

TOP 8,750 Lbs
BOTTOM 10,000 Lbs

C DATE: 10-5-21
Ch 23 Pg 8.1 Sht 2 of 2