

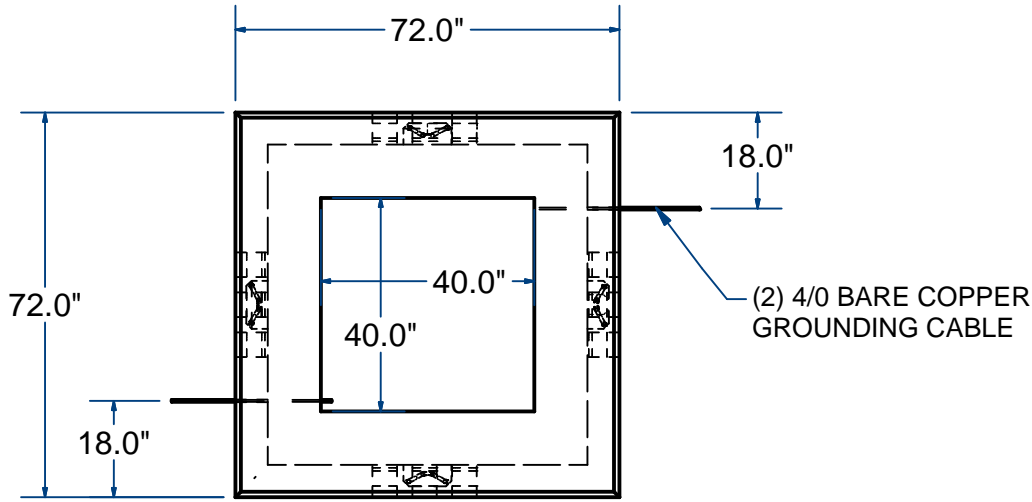
PRIMARY PULL BOX (NE-15B x 68")

THREE PHASE

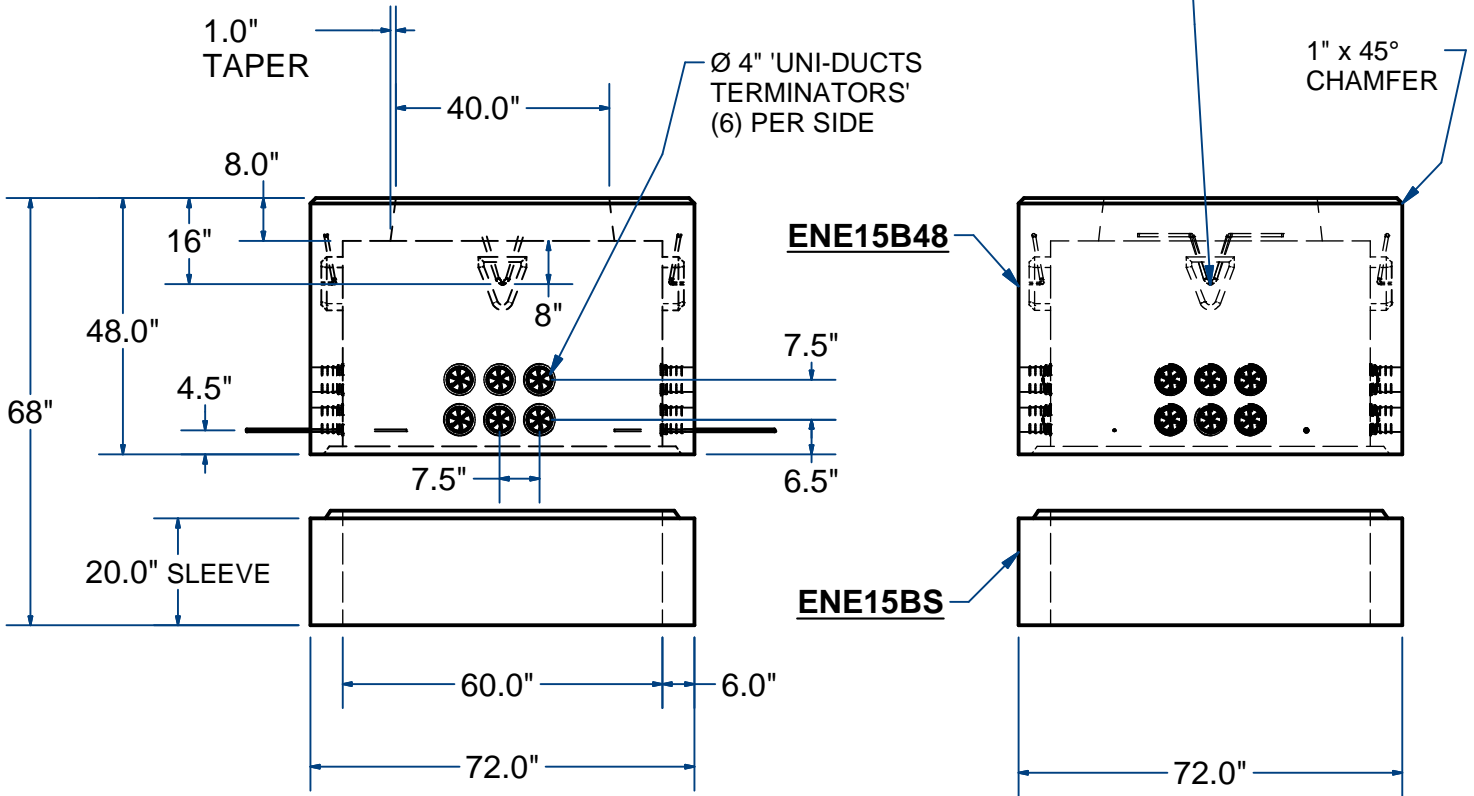
H20

ACME-SHOREY

PRECAST CONCRETE PRODUCTS



(4) - PI - 2 PULLING IRONS
CAST IN RECESSED POCKETS
(1) - PER SIDE



NAME: PRIMARY PULL BOX FOUNDATION (NE-15Bx68") H-20
(THREE PHASE)

ITEM# EM1216

Concrete Minimum Strength: 5,000 p.s.i. at 28 days
Steel Reinforcement: ASTM A615, Grade 60
Design Loading: standard units - AASHTO - H20

Wt. Sleeve 3,000 Lbs
Wt. PullBox 8,000 Lbs

H DATE: 10-5-2021
Ch 23 Pg 7.1 Sht 2 of 2