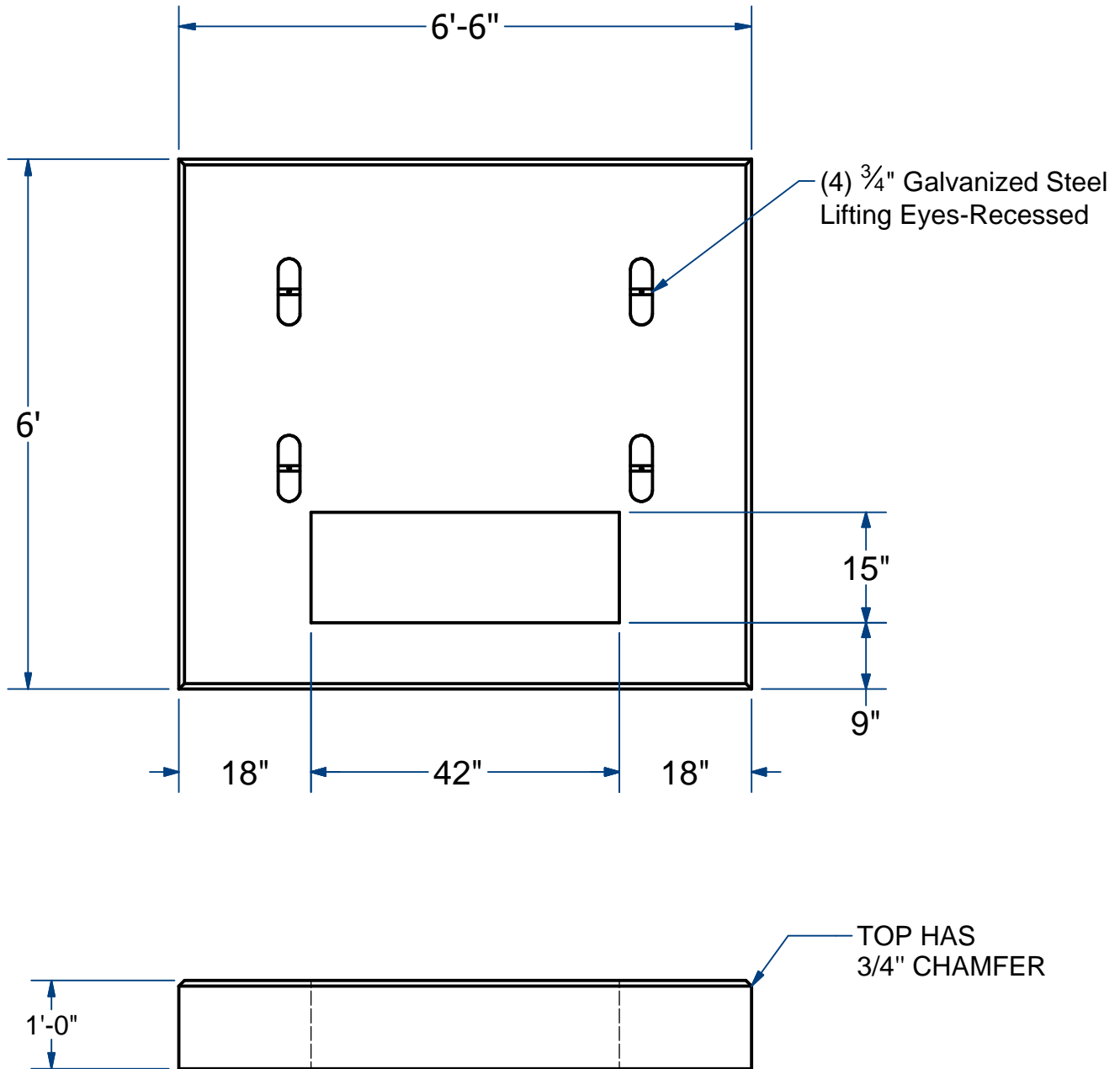


**TRANSFORMER PAD 6' X 6'-6"**  
THREE PHASE  
(FOR TRANSFORMERS UP TO 300 KVA)  
H20

# ACME-SHOREY

PRECAST CONCRETE PRODUCTS



**NAME: PRECAST TRANSFORMER PAD**  
(THREE PHASE , 300 KVA)

**H-20**

**ITEM# EM3801-1**

Concrete Minimum Strength: 5,000 p.s.i. at 28 days  
Steel Reinforcement: ASTM A615, Grade 60  
Design Loading: standard units - AASHTO - H20

**WEIGHT 5,300 Lbs**

**C**

**DATE: 10-5-21**

Ch 23 Pg 5.2 Sht 2 of 2