

ACME-SHOREY

PRECAST CONCRETE PRODUCTS

WWW.ACMESHOREY.COM

PHONE (508) 548-9607

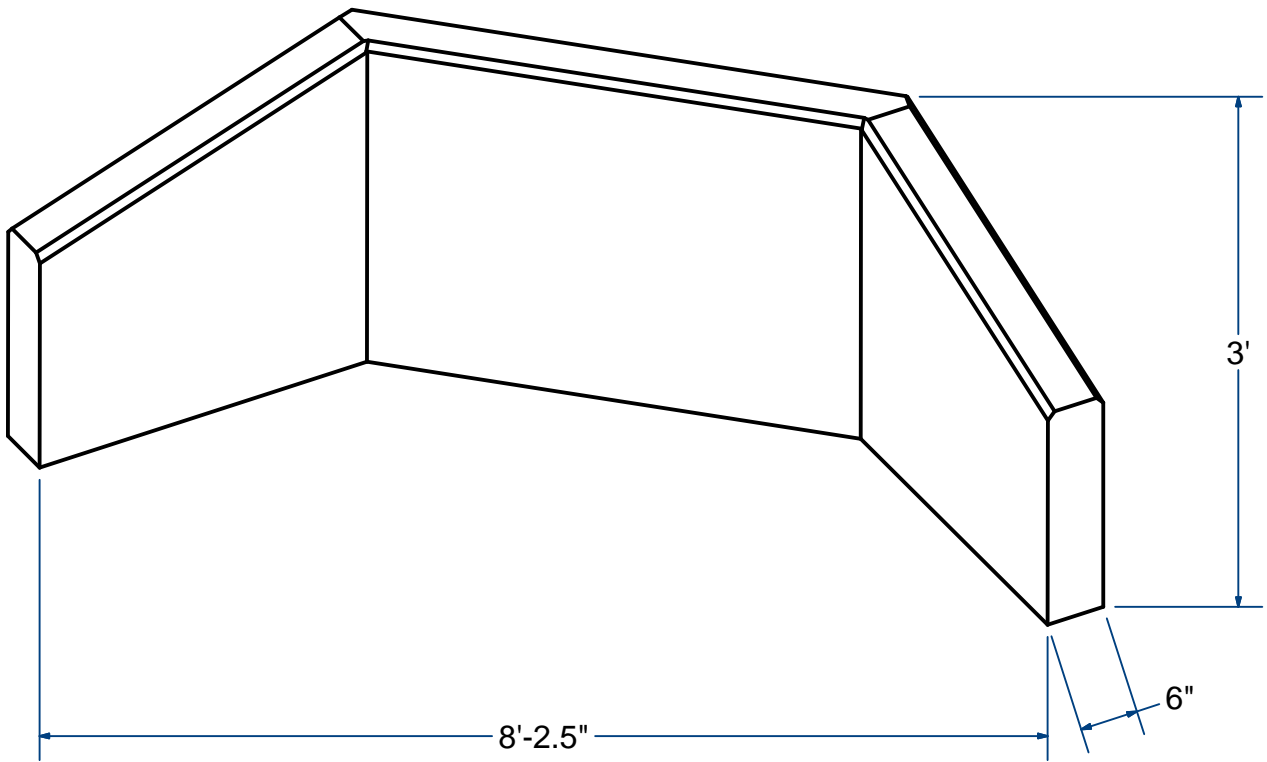
FAX (508) 548-1664

CARVER, MA

334 TREMONT STREET

HARWICH, MA

36 GREAT WESTERN ROAD



RETAINING WALL

(NE-18)

6" THICK

ITEM# EM3803

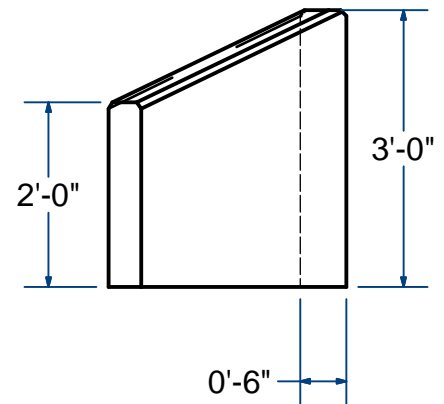
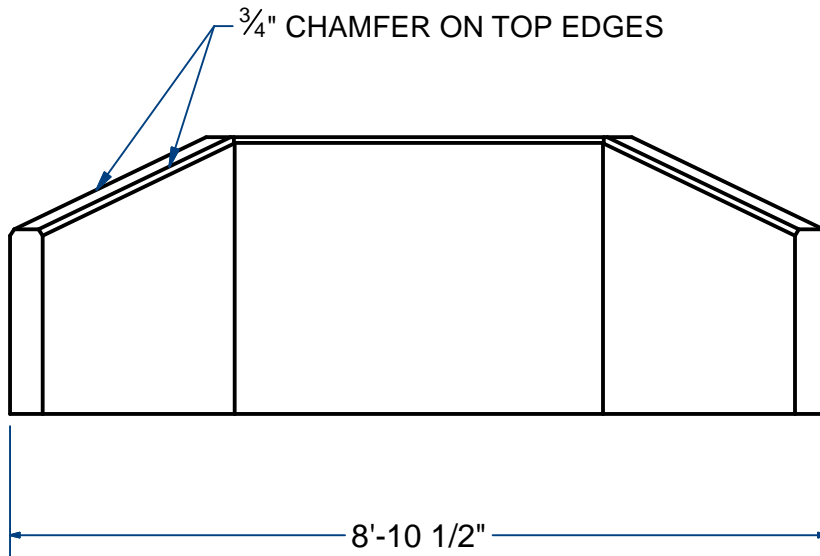
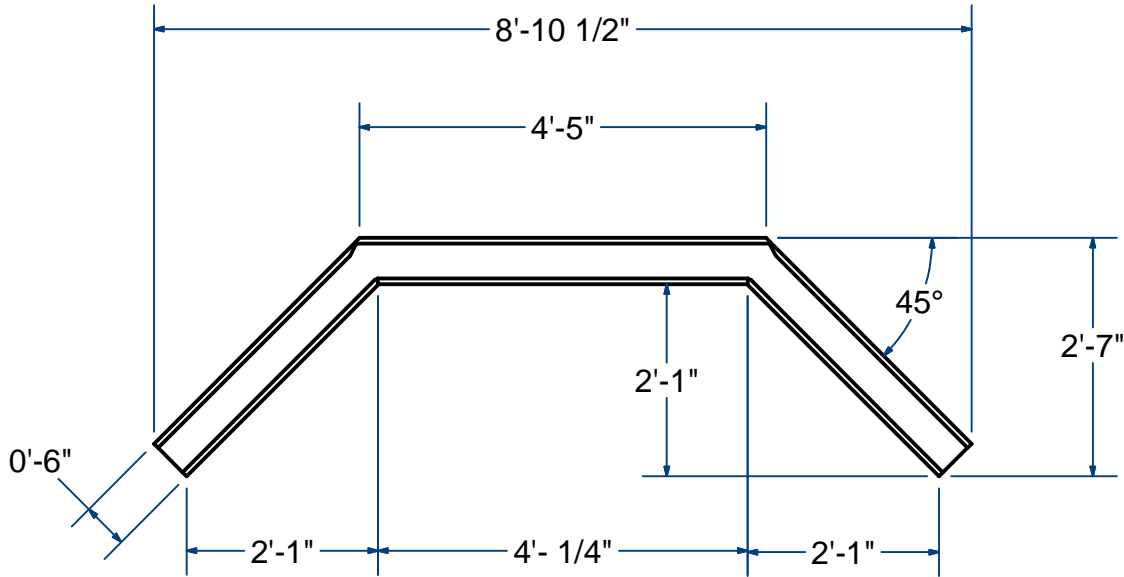
Wt. 2,100 Lbs

23-9.1

Sht 1 of 2

ACME-SHOREY

PRECAST CONCRETE PRODUCTS



NAME:RETAINING WALL, (NE-18)

ITEM# EM3803

Concrete Minimum Strength: 5,000 p.s.i. at 28 days
 Steel Reinforcement:ASTM A615, Grade 60
 Design Loading: standard units - AASHTO - H20

WEIGHT 2,100 Lbs

C

DATE: 10-5-2021

Ch 23 Pg 9.1 Sht 2 of 2