

ACME-SHOREY

PRECAST CONCRETE PRODUCTS

WWW.ACMESHOREY.COM

PHONE (508) 548-9607

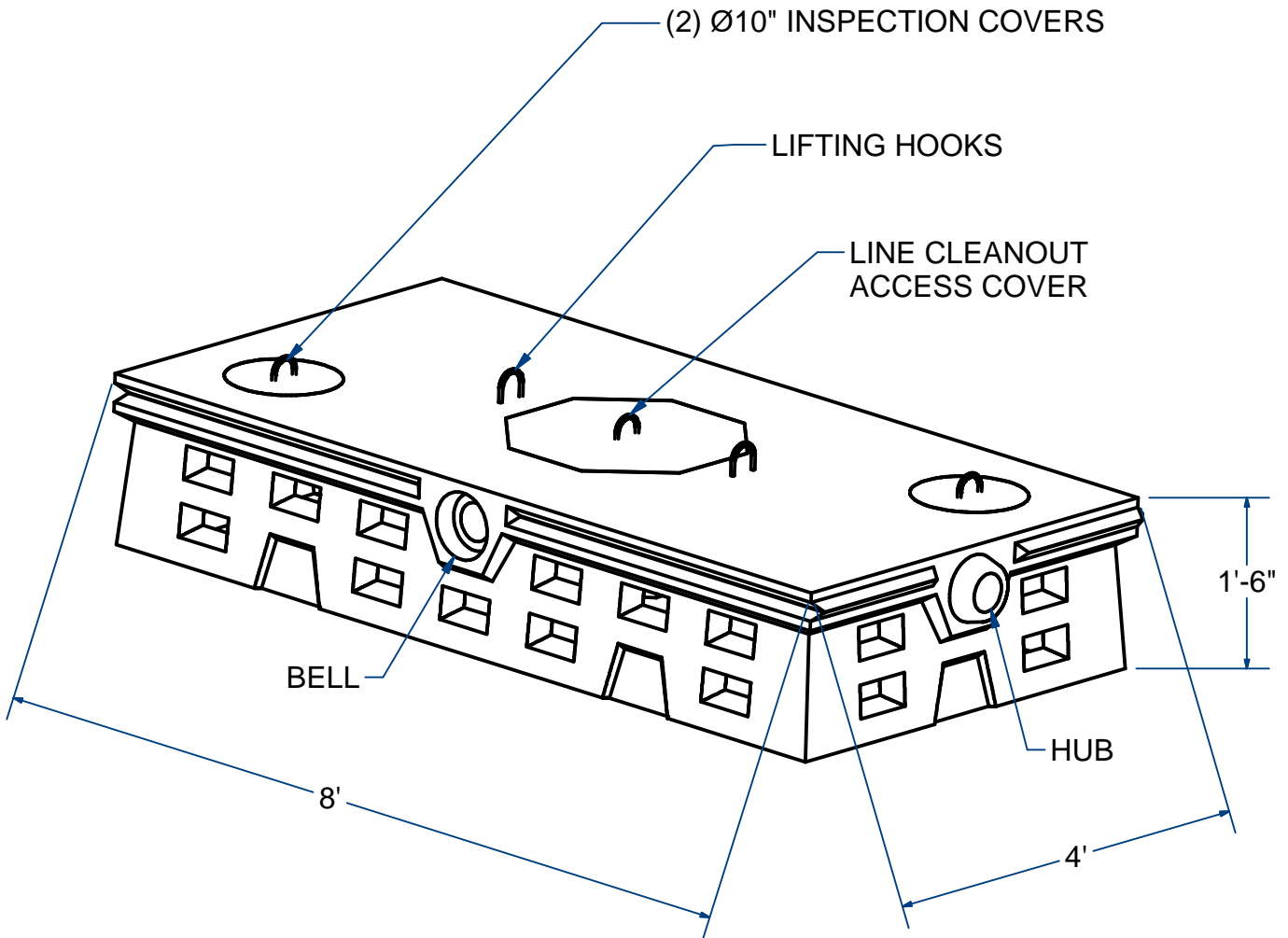
FAX (508) 548-1664

CARVER, MA
334 TREMONT STREET

HARWICH, MA
36 GREAT WESTERN ROAD

NOTES:

- 1.) $\varnothing 4"$ CONCRETE HUB & BELL CONNECTORS ALLOW FOR P.V.C. PIPE AND ALSO FOR JOINING FLOW DIFFUSOR TO FLOW DIFFUSOR.
- 2.) CAPACITY TO INV = 180 Gallons.
CAPACITY TO TOPINSIDE = 210 Gallons.



FLOW DIFFUSOR

H20

'D' MODEL

ITEM# FDD2

Wt. 2,400 Lbs

12-1.1

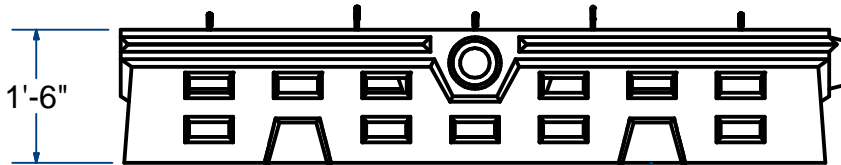
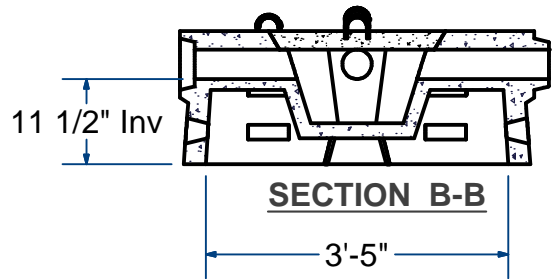
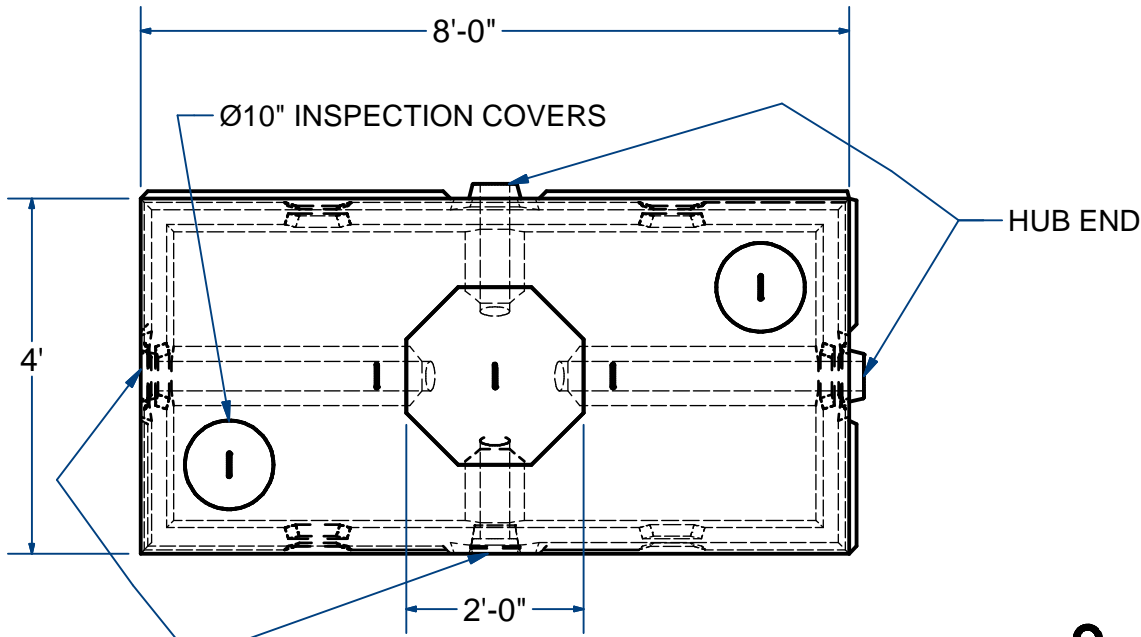
Sht 1 of 2

ACME-SHOREY

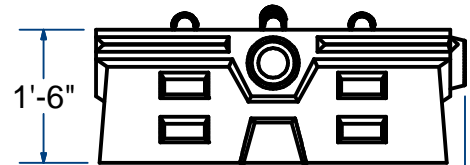
PRECAST CONCRETE PRODUCTS

NOTES:

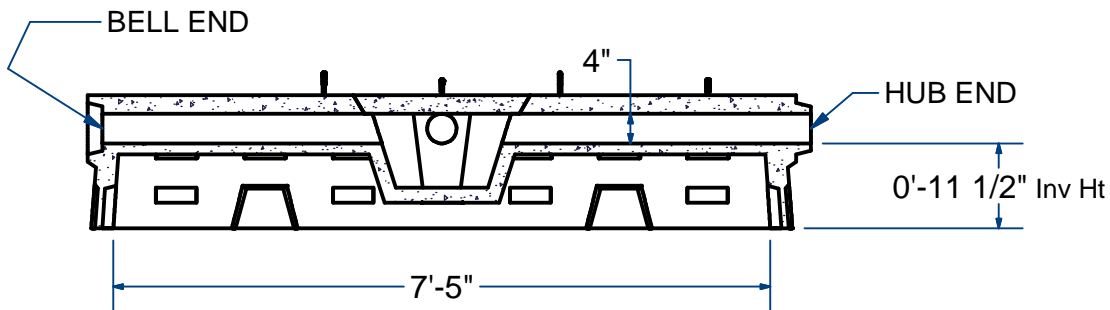
- 1.) Ø4" CONCRETE HUB & BELL CONNECTORS ALLOW FOR P.V.C. PIPE AND ALSO FOR JOINING FLOW DIFFUSOR TO FLOW DIFFUSOR.



BED INSTALLATION KNOCKOUTS



HUB END



NAME: FLOW DIFFUSOR, TYPE 'D'

H-20

ITEM# FDD2

Concrete Minimum Strength: 5,000 p.s.i. at 28 days
 Steel Reinforcement: ASTM A615, Grade 60
 Design Loading: standard units - AASHTO - H20

WEIGHT 2,400

Lbs

C

DATE: 3-12-23