

ACME-SHOREY

PRECAST CONCRETE PRODUCTS

WWW.ACMESHOREY.COM

PHONE (508) 548-9607

FAX (508) 548-1664

CARVER, MA

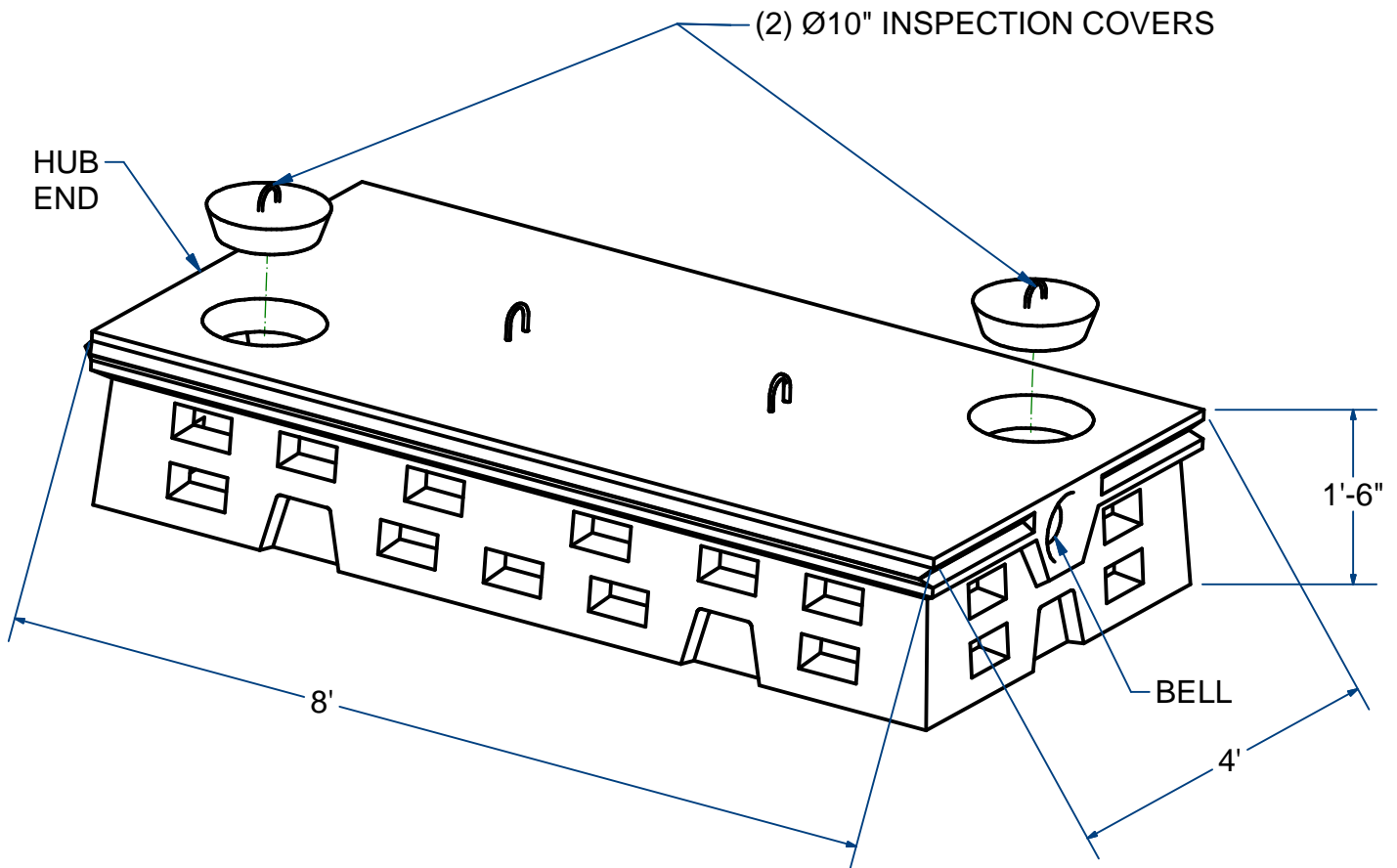
334 TREMONT STREET

HARWICH, MA

36 GREAT WESTERN ROAD

NOTES:

- 1.) $\varnothing 4"$ CONCRETE HUB & BELL CONNECTORS ALLOW FOR P.V.C. PIPE AND ALSO FOR JOINING FLOW DIFFUSOR TO FLOW DIFFUSOR.
- 2.) LONG SIDE ENTRY.
- 3.) CAPACITY TO INV = 180 Gallons.
CAPACITY TO TOP INSIDE = 210 Gallons.



FLOW DIFFUSOR

H20

'L' MODEL

ITEM# FDL2

Wt. 2,450 Lbs

12-1.3

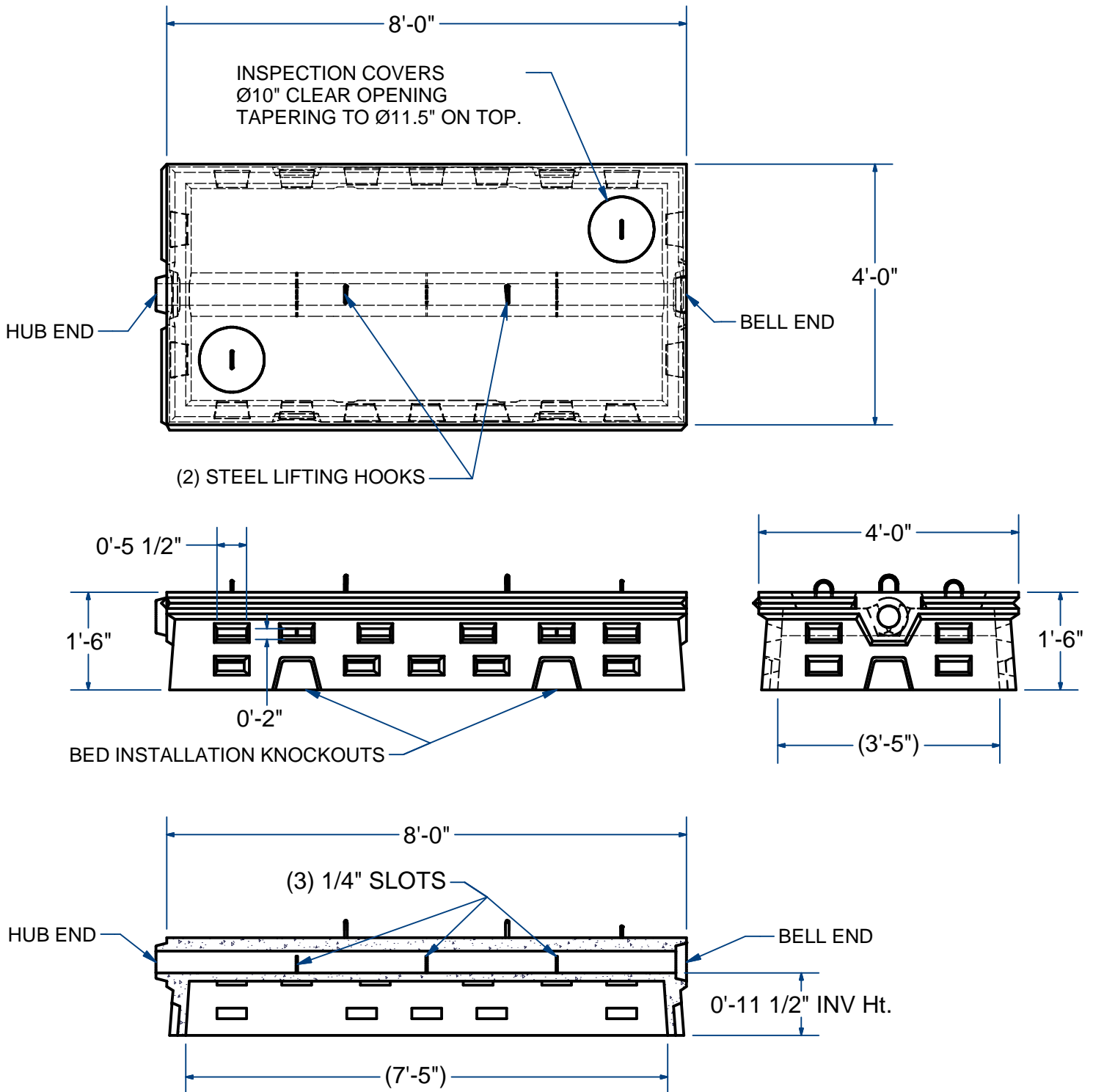
Sht 1 of 2

ACME-SHOREY

PRECAST CONCRETE PRODUCTS

NOTES:

- 1.) Ø4" CONCRETE HUB & BELL CONNECTORS ALLOW FOR P.V.C. PIPE AND ALSO FOR JOINING FLOW DIFFUSOR TO FLOW DIFFUSOR.
- 2.) LONG SIDE ENTRY.



NAME: FLOW DIFFUSOR, MODEL 'L'

H-20

ITEM# FDL2

Concrete Minimum Strength: 5,000 p.s.i. at 28 days
Steel Reinforcement: ASTM A615, Grade 60
Design Loading: standard units - AASHTO - H20

WEIGHT 2,450

Lbs

C

DATE: 3-12-23

Ch 12

Pg 1.3

Sht 2 of 2