

ACME-SHOREY

PRECAST CONCRETE PRODUCTS

WWW.ACME-SHOREY.COM

NOTES;

1.) **LIMITING LOAD FACTOR:**

Allowable Load Bearing on Soil = **8,500 Lbs**
 (Vs Std. Ø12" Sonotube = 1,600 Lbs)

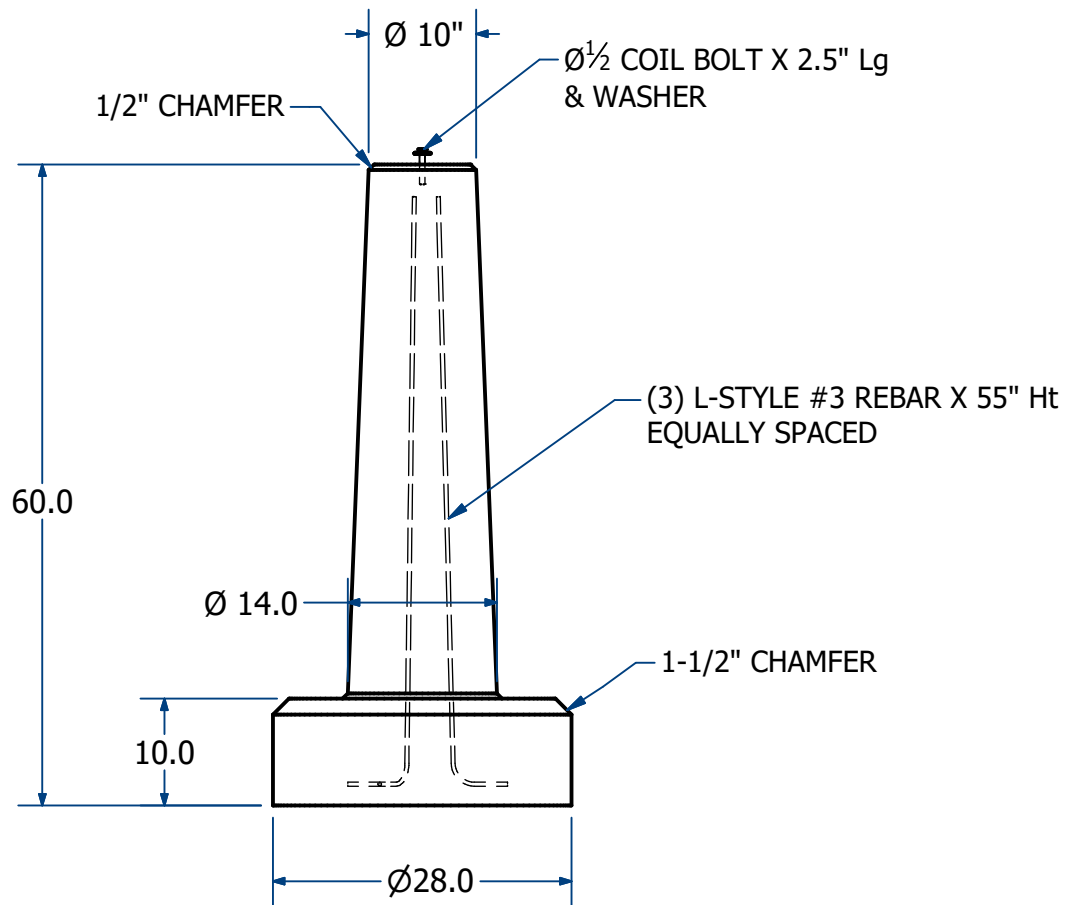
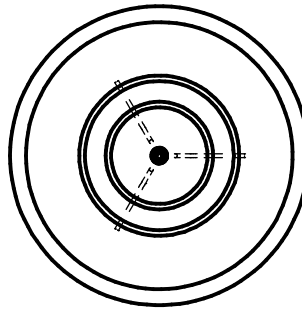
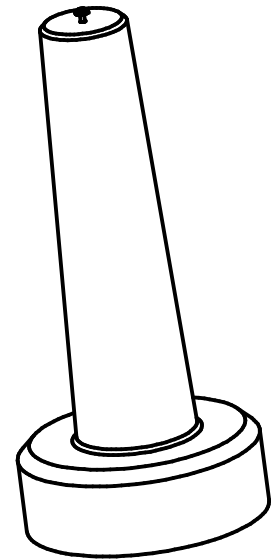
2.) **COMPRESSIVE STRENGTH** load rating at top =
 (5000psi x 78.5si)/3 s.f. = 130,000 Lbs

3.) **ADDITIONAL DOWNWARD WEIGHT SUPPORT**

Packed soil adds approx = 900 Lbs weight.
 (With top of post 12" above ground level.)

4.) Hardware includes bolt & washer.

5.) **Lifting EyeBolt sold separately.**



NAME: FOOTING FROST POST, 5' Ht

H-20

ITEM# FFP5

Concrete Minimum Strength: 5,000 p.s.i. at 28 days
 Steel Reinforcement: ASTM A615, Grade 60
 Design Loading: standard units - AASHTO - H20

WEIGHT 1,100 Lbs

CH

DATE: 11-16-20

Ch 19 Pg 6.1 Sht 1