

# ACME-SHOREY

PRECAST CONCRETE PRODUCTS

WWW.ACME-SHOREY.COM

PHONE (508) 548-9607

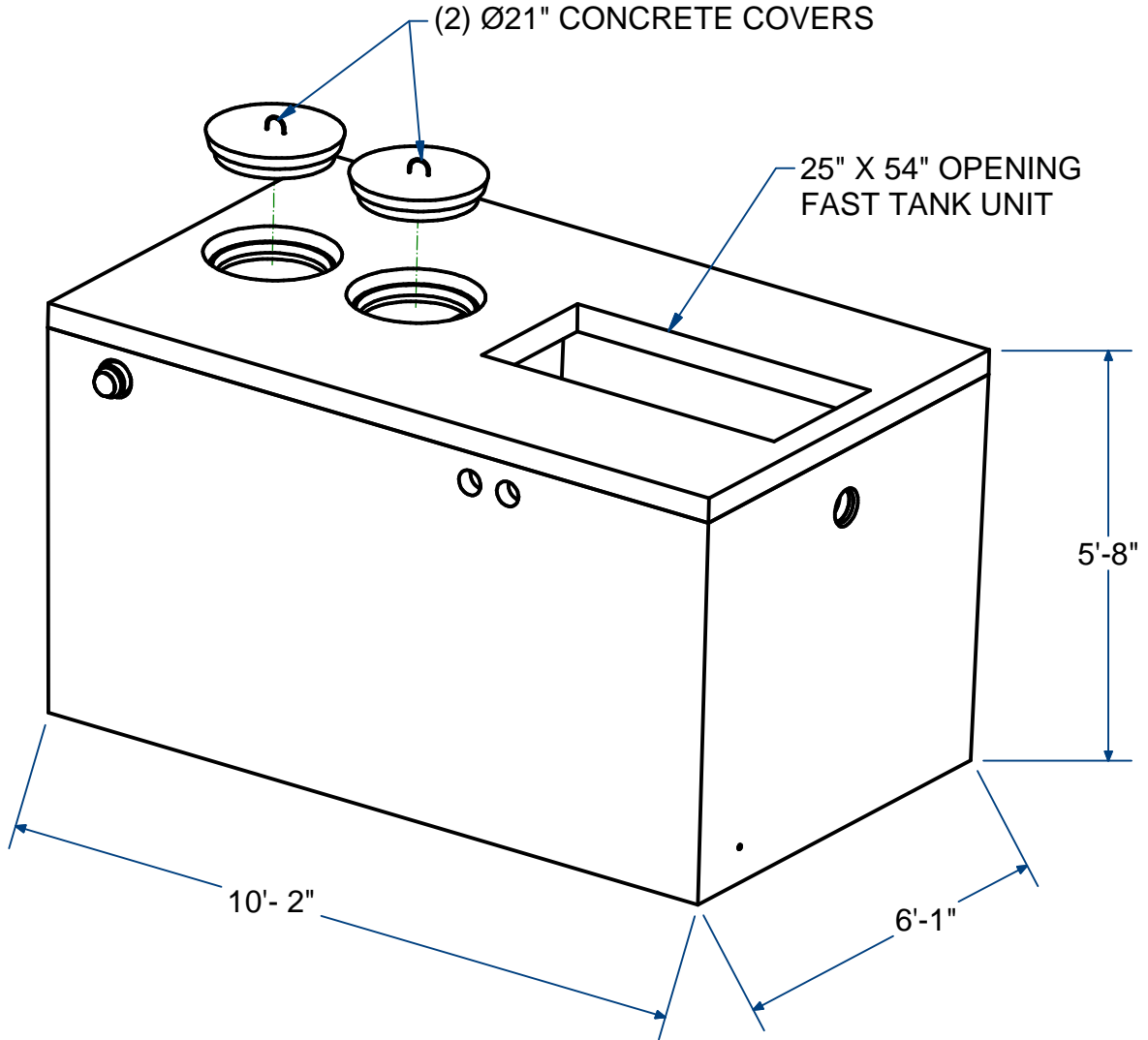
FAX (508) 548-1664

CARVER, MA  
334 TREMONT STREET

HARWICH, MA  
36 GREAT WESTERN ROAD

NOTES:

- 1.) SEAM SEALED WITH FLEXIBLE BUTYL RUBBER SEALANT.



## FAST TANK .50L, MONO

H10

1500 Gallon

ITEM# FT15M.50H

Wt. 13,750 Lbs

7 -4.1

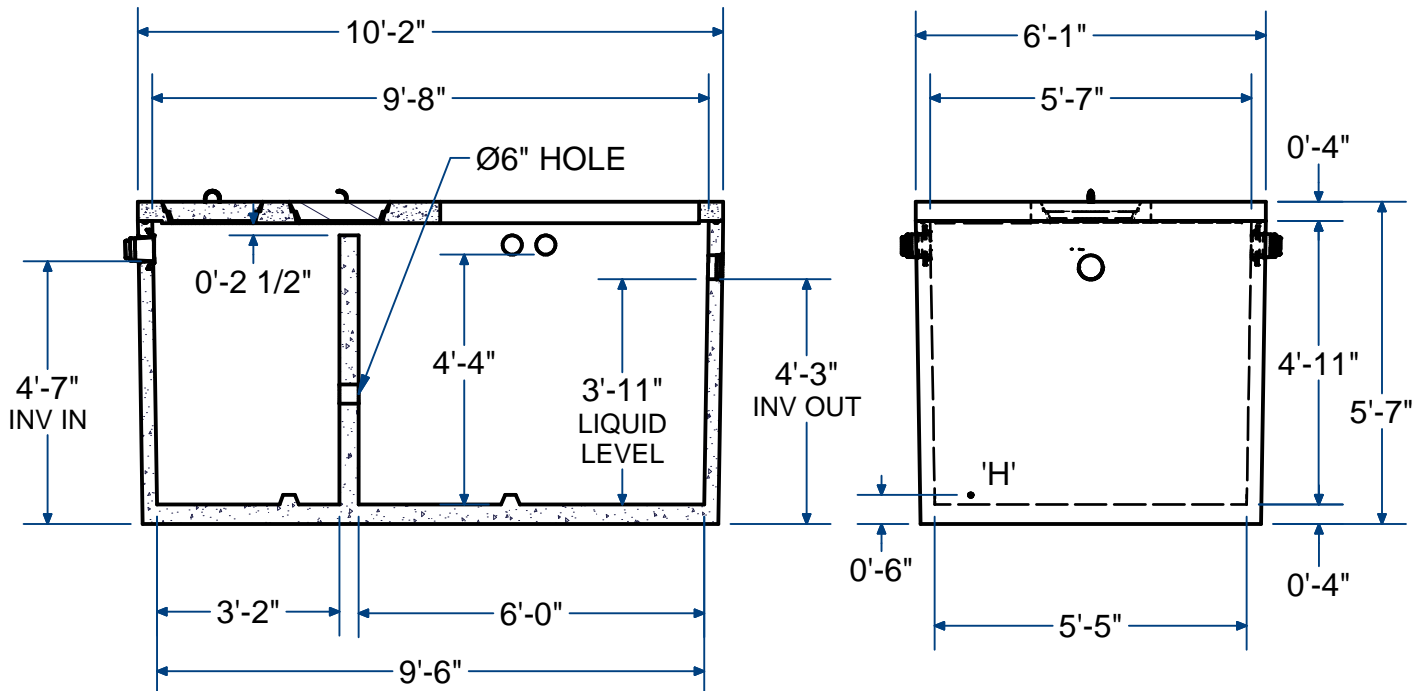
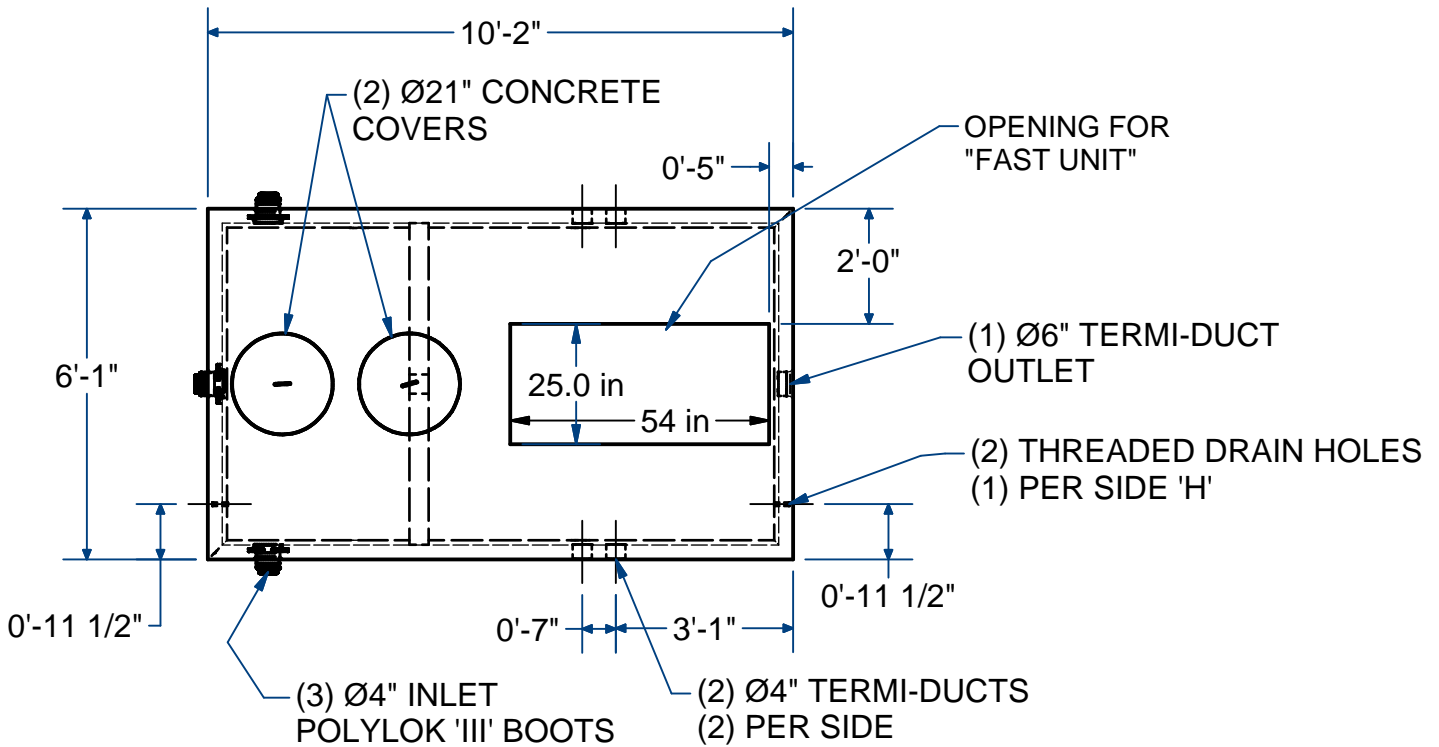
Sht 1 of 2

# ACME-SHOREY

PRECAST CONCRETE PRODUCTS

## NOTES:

- 1.) SEAM SEALED WITH FLEXIBLE BUTYL RUBBER SEALANT.
- 2.) MOUNTING SPEC 'L'= LID MOUNTED
- 3.) OPENING FOR A .5 FT unit
- 4.) ALL COVERS MUST BE BROUGHT TO GRADE PER FAST.



**NAME: FAST TANK, 1500 Gallon, MONO, .50**

**H-10**

**ITEM# FT15M.50H**

Concrete Minimum Strength: 4,000 p.s.i. at 28 days  
Steel Reinforcement: ASTM A615, Grade 60  
Design Loading: standard units - AASHTO - H10

TOP 3,000 Lbs  
BOTTOM 10,750 Lbs

H

DATE: 3-21-23

Ch 7 Pg 4.1 Sht 2 of 2