

ACME-SHOREY

PRECAST CONCRETE PRODUCTS

WWW.ACME-SHOREY.COM

PHONE (508) 548-9607

FAX (508) 548-1664

CARVER, MA

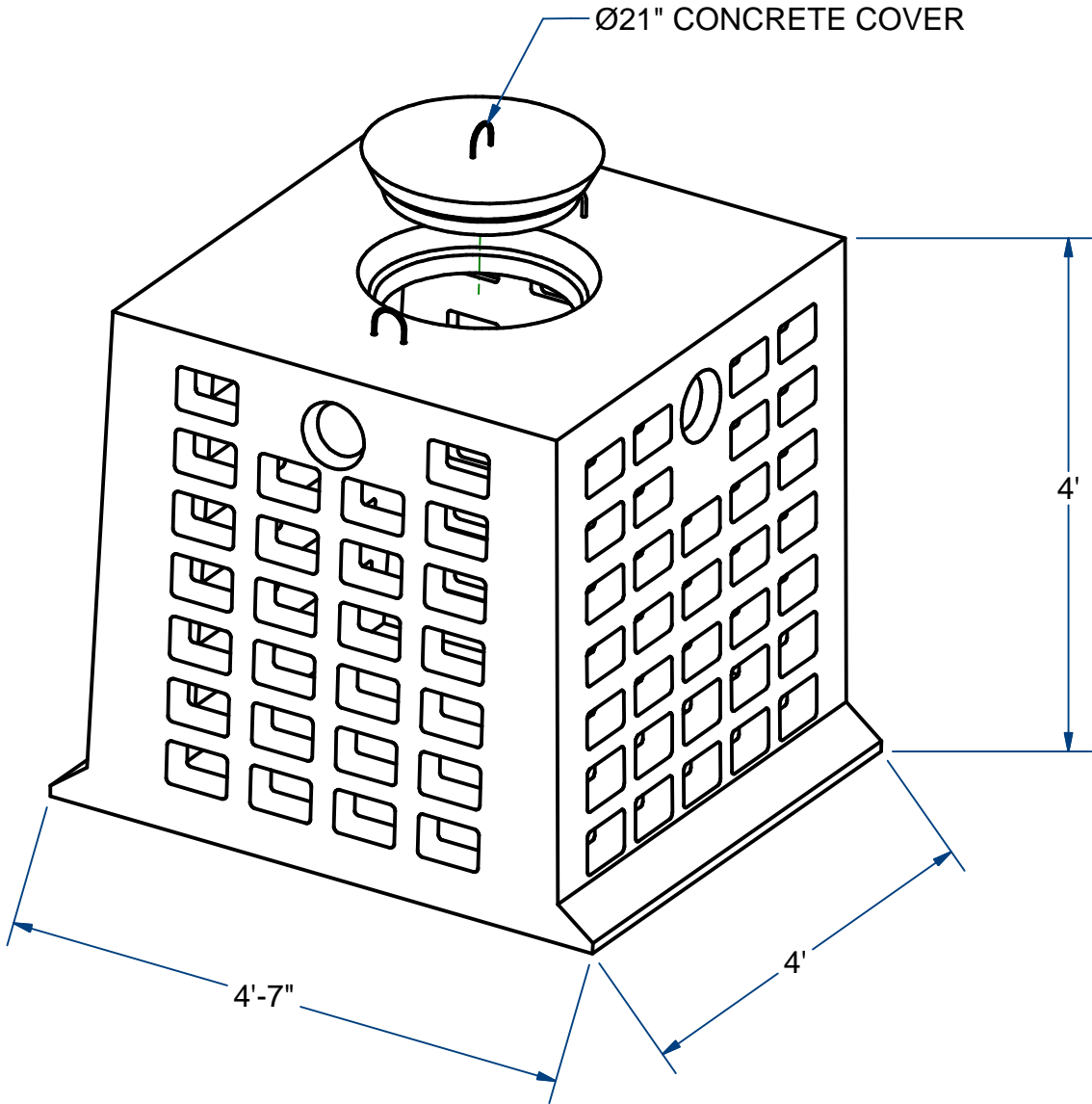
334 TREMONT STREET

HARWICH, MA

36 GREAT WESTERN ROAD

NOTES:

- 1.) 4 - LEACHING SIDES.
- 2.) 310 Gallon CAPACITY TO Ø5" INV.



GALLEY CHAMBER-4 LEACHING SIDES

H20

4' Ht.

ITEM# GC4S2

Wt. 2,000 Lbs

12-2.2

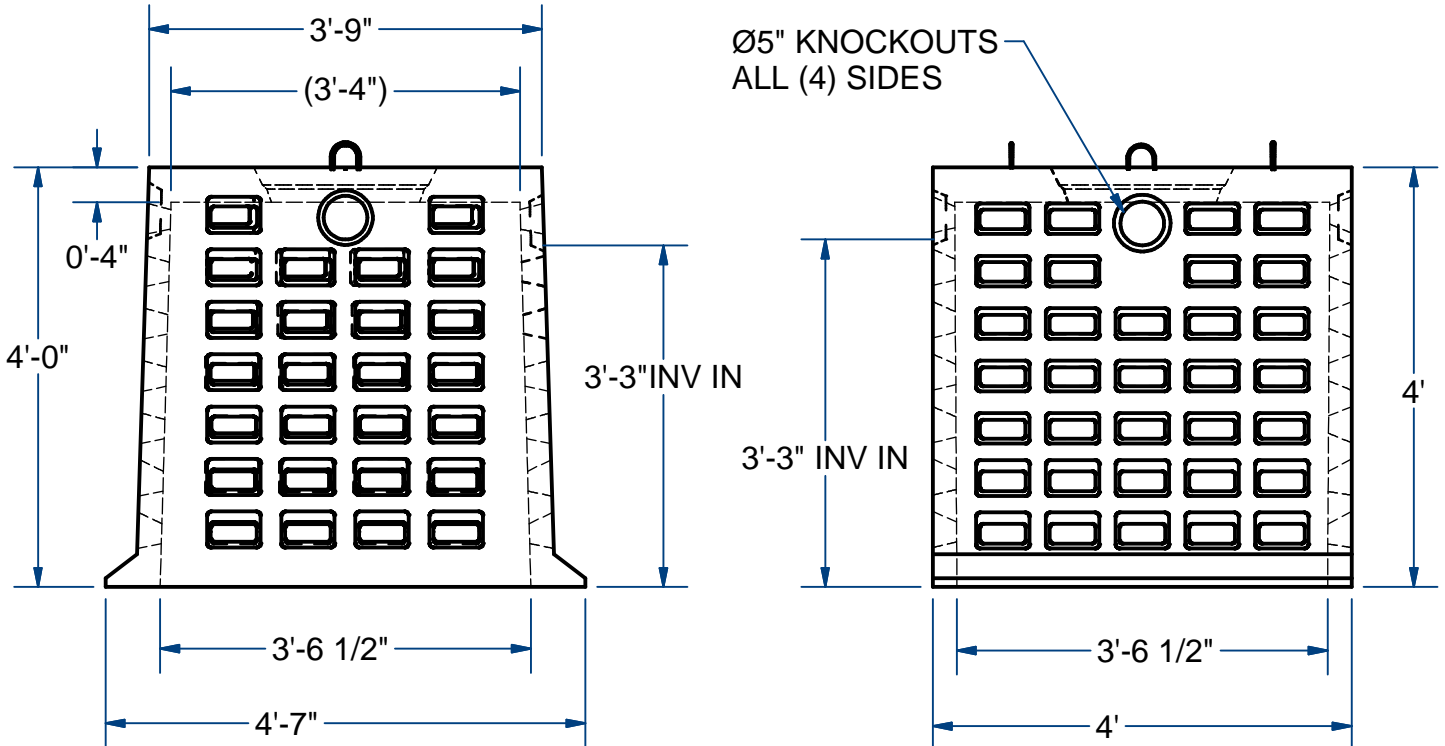
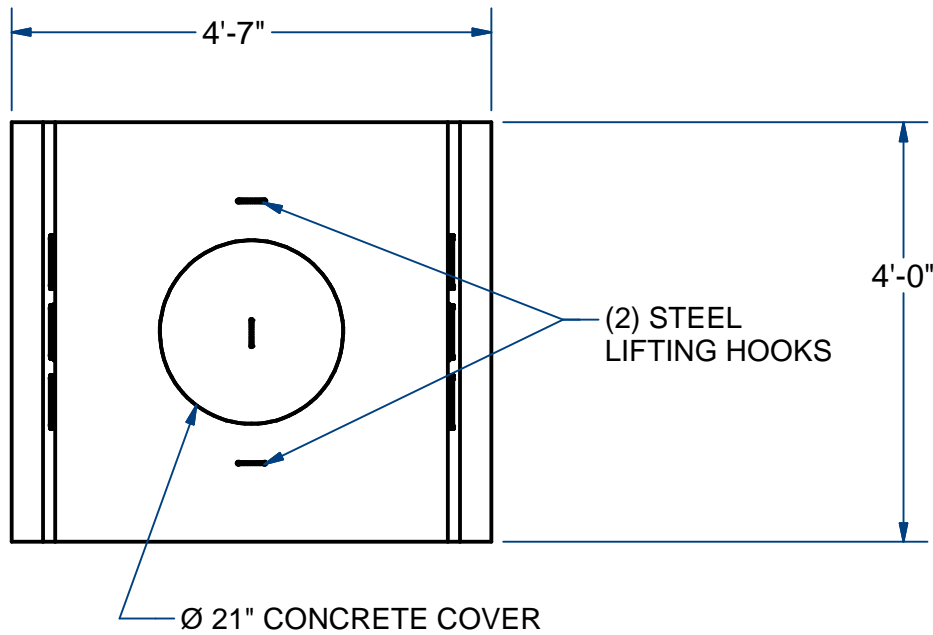
Sht 1 of 2

ACME-SHOREY

PRECAST CONCRETE PRODUCTS

NOTES:

- 1.) 4 - LEACHING SIDES.
- 2.) 310 Gallon CAPACITY TO Ø5" INV.



NAME: GALLEY CHAMBER, 4-LEACHING SIDES

H-20

ITEM# GC4S2

Concrete Minimum Strength: 5,000 p.s.i. at 28 days
 Steel Reinforcement: ASTM A615, Grade 60
 Design Loading: standard units - AASHTO - H20

WEIGHT 2,000 Lbs

A

DATE: 5-16-2018

Ch 12 Pg 2.2 Sht 2 of 2