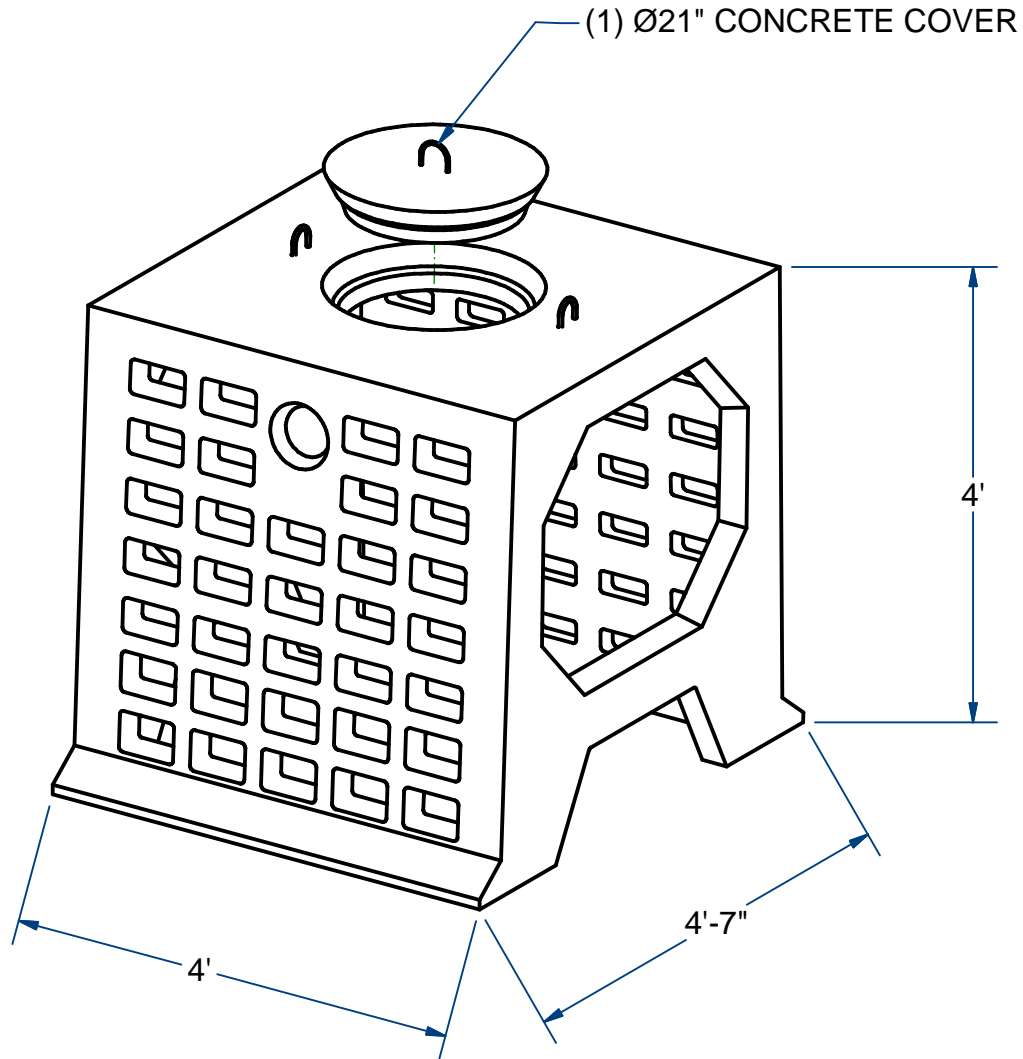


- NOTES:
1.) 2-LEACHING SIDES
W/CENTER COVER
2.) 310 Gallon CAPACITY TO Ø5" INV.



GALLEY CHAMBER, CENTER W/COVER

H20

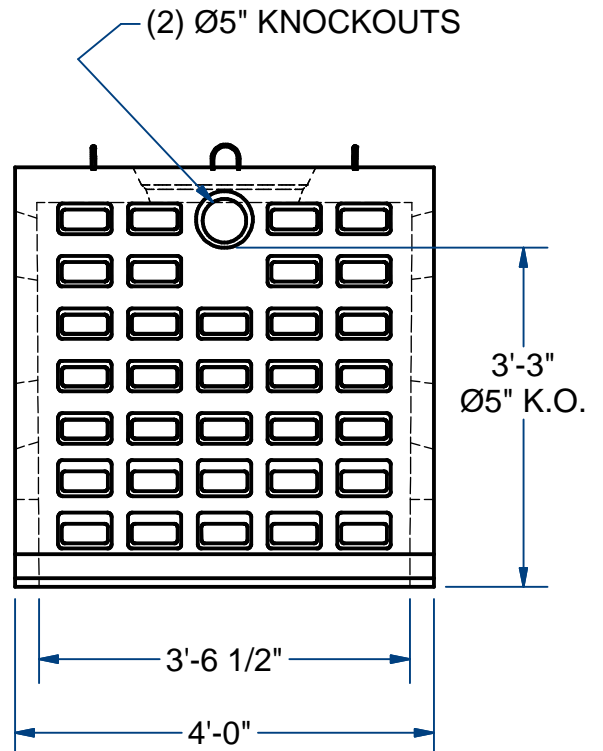
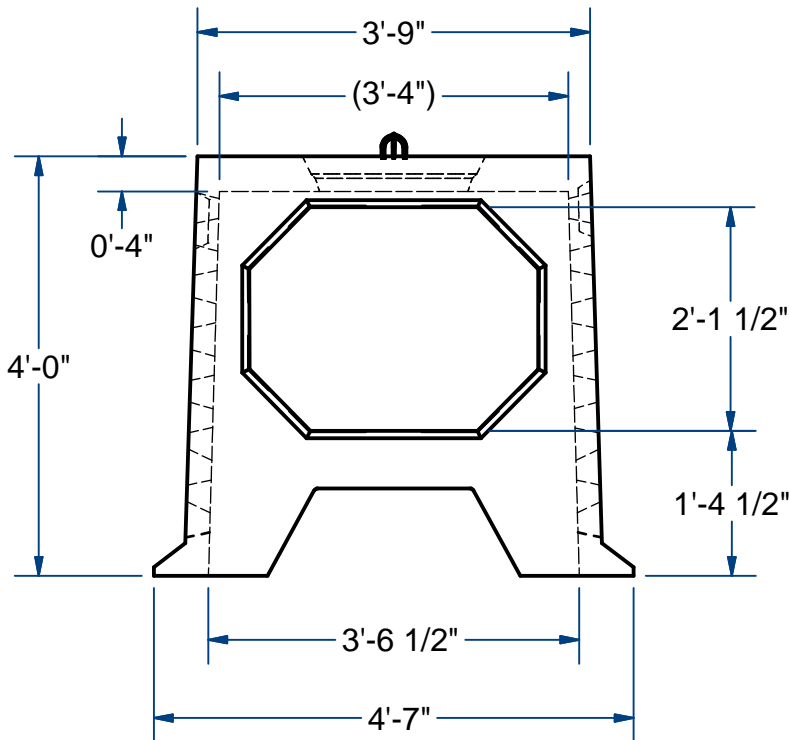
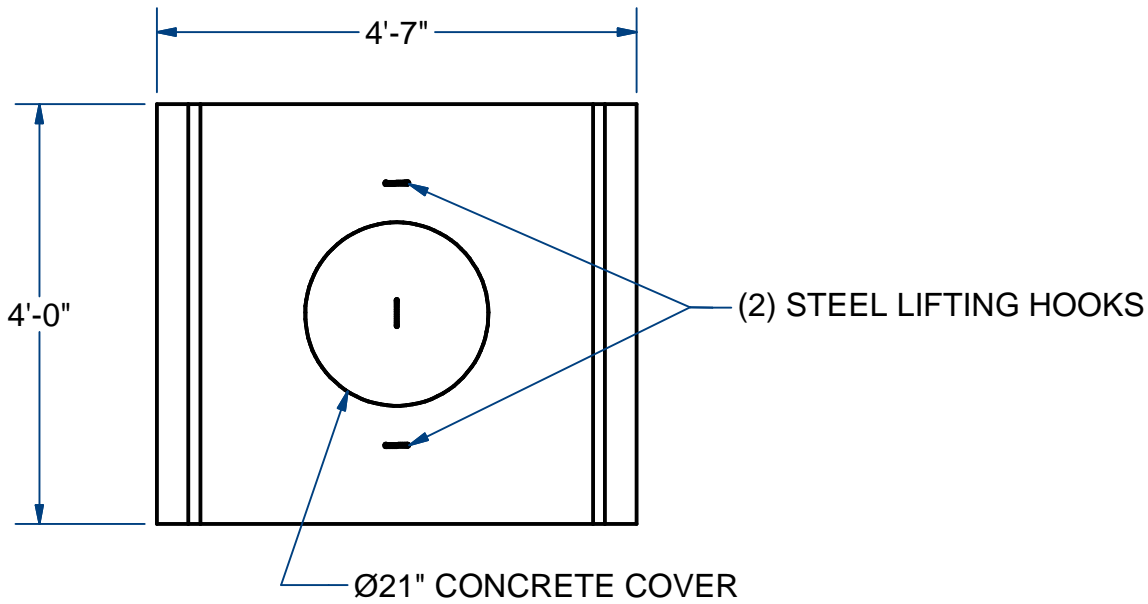
4' Ht

ACME-SHOREY

PRECAST CONCRETE PRODUCTS

NOTES:

- 1.) 2-LEACHING SIDES
W/CENTER COVER
- 2.) 310 Gallon CAPACITY TO Ø5" INV.



NAME: GALLEY CHAMBER, CENTER W/COVER H-20

ITEM# GCCC2

Concrete Minimum Strength: 5,000 p.s.i. at 28 days
Steel Reinforcement: ASTM A615, Grade 60
Design Loading: standard units - AASHTO - H20

WEIGHT 2,020 Lbs

A

DATE: 5-16-2018

Ch 12 Pg 2.3 Sht 2 of 2