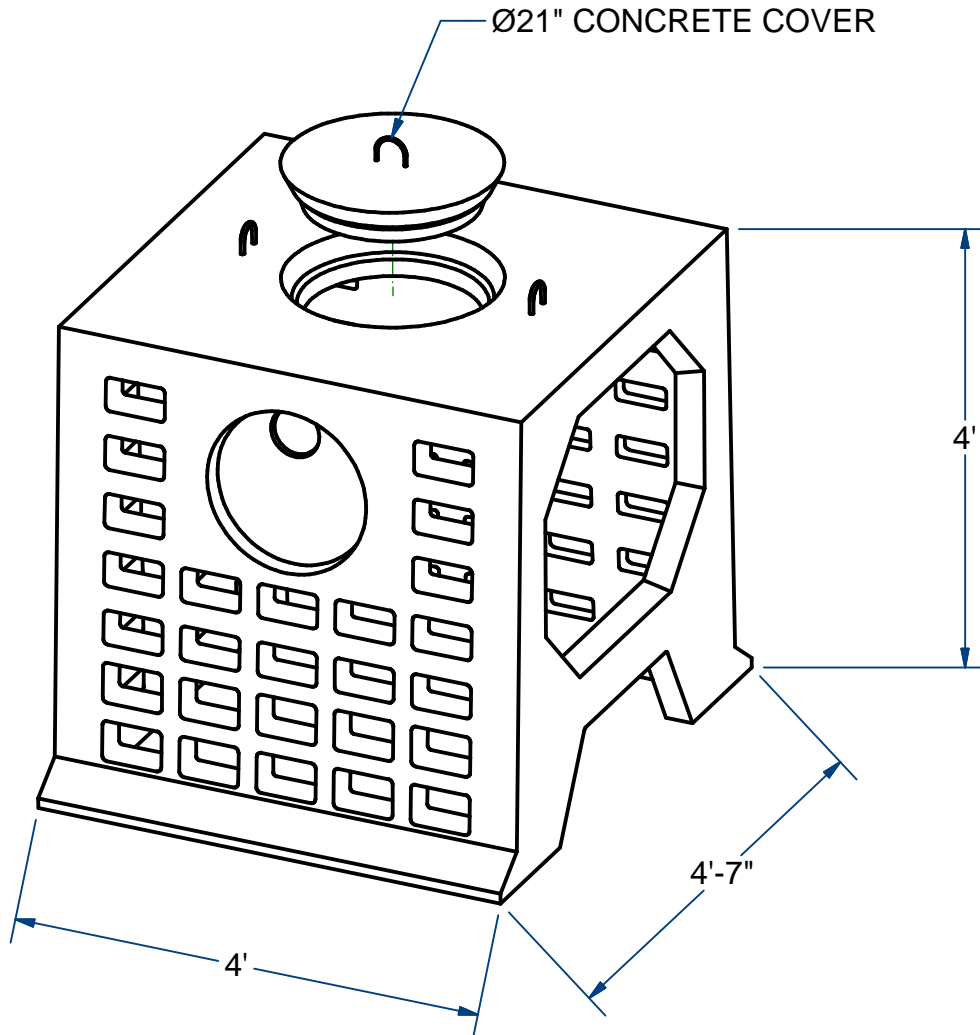


NOTES:

- 1.) 3 - LEACHING SIDES.
- 2.) 310 Gallon CAPACITY TO Ø5" INV.



**GALLEY CHAMBER, END SECTION**

H20

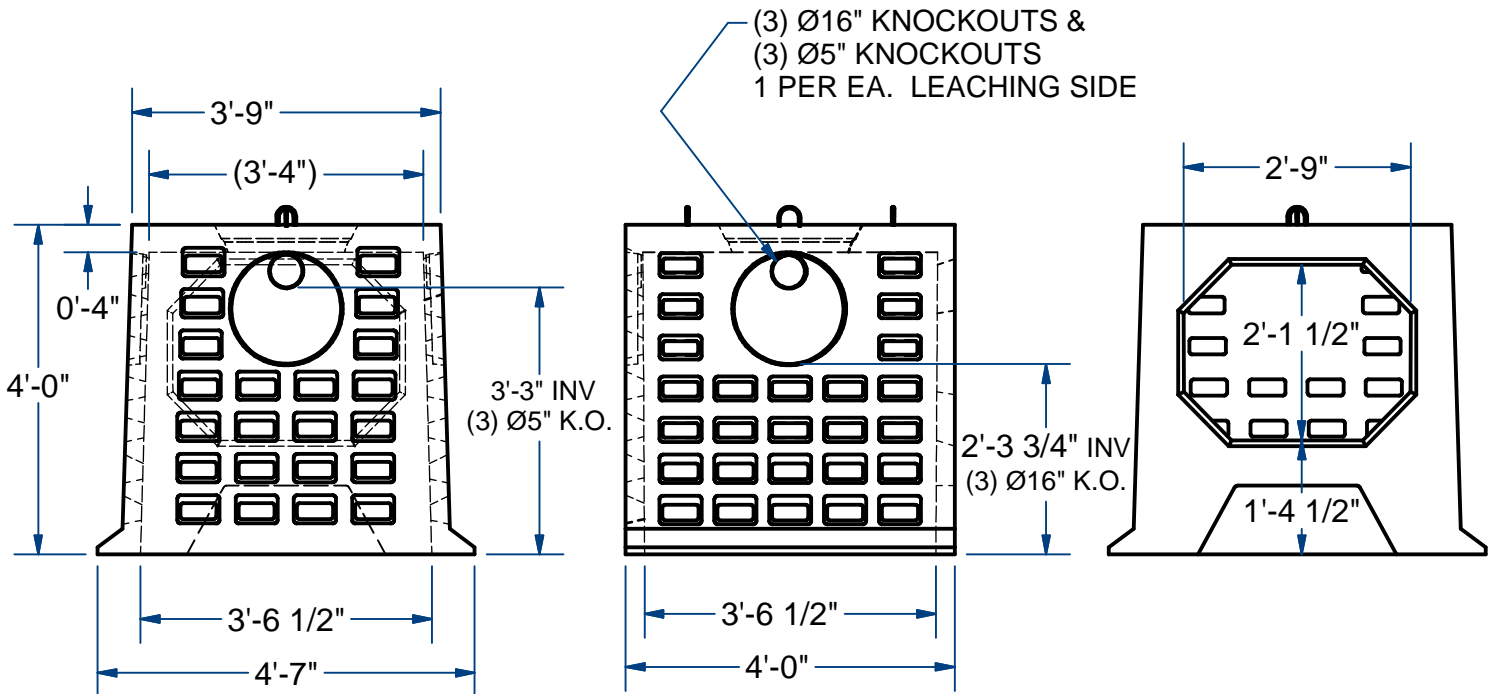
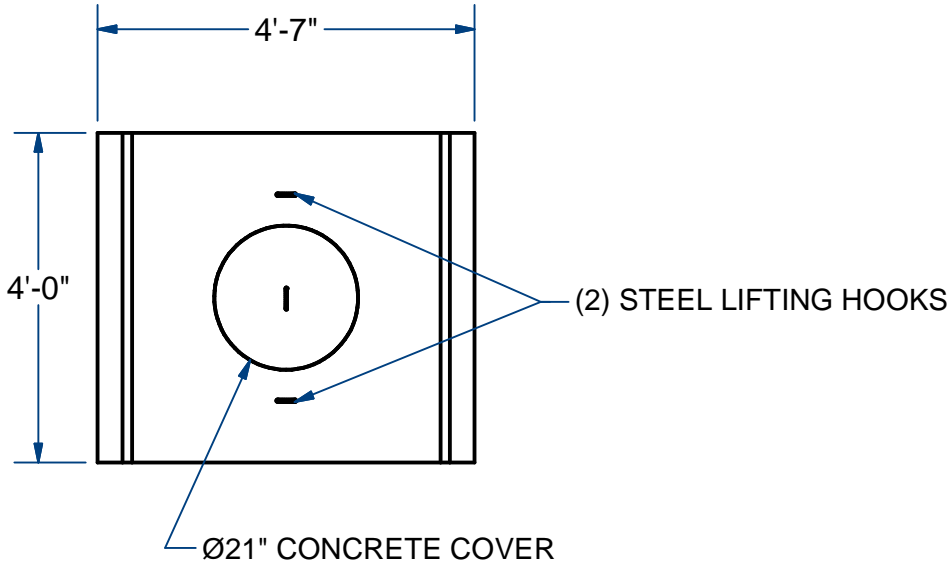
4' Ht

# ACME-SHOREY

PRECAST CONCRETE PRODUCTS

**NOTES:**

- 1.) 3 - LEACHING SIDES.
- 2.) 310 Gallon CAPACITY TO Ø5" INV.



**NAME: GALLEY CHAMBER , END SECTION**

**H-20**

**ITEM# GCE2**

Concrete Minimum Strength: 5,000 p.s.i. at 28 days  
 Steel Reinforcement: ASTM A615, Grade 60  
 Design Loading: standard units - AASHTO - H20

**WEIGHT 2,220 Lbs**

**A**

**DATE: 5-16-2018**