

ACME-SHOREY

PRECAST CONCRETE PRODUCTS

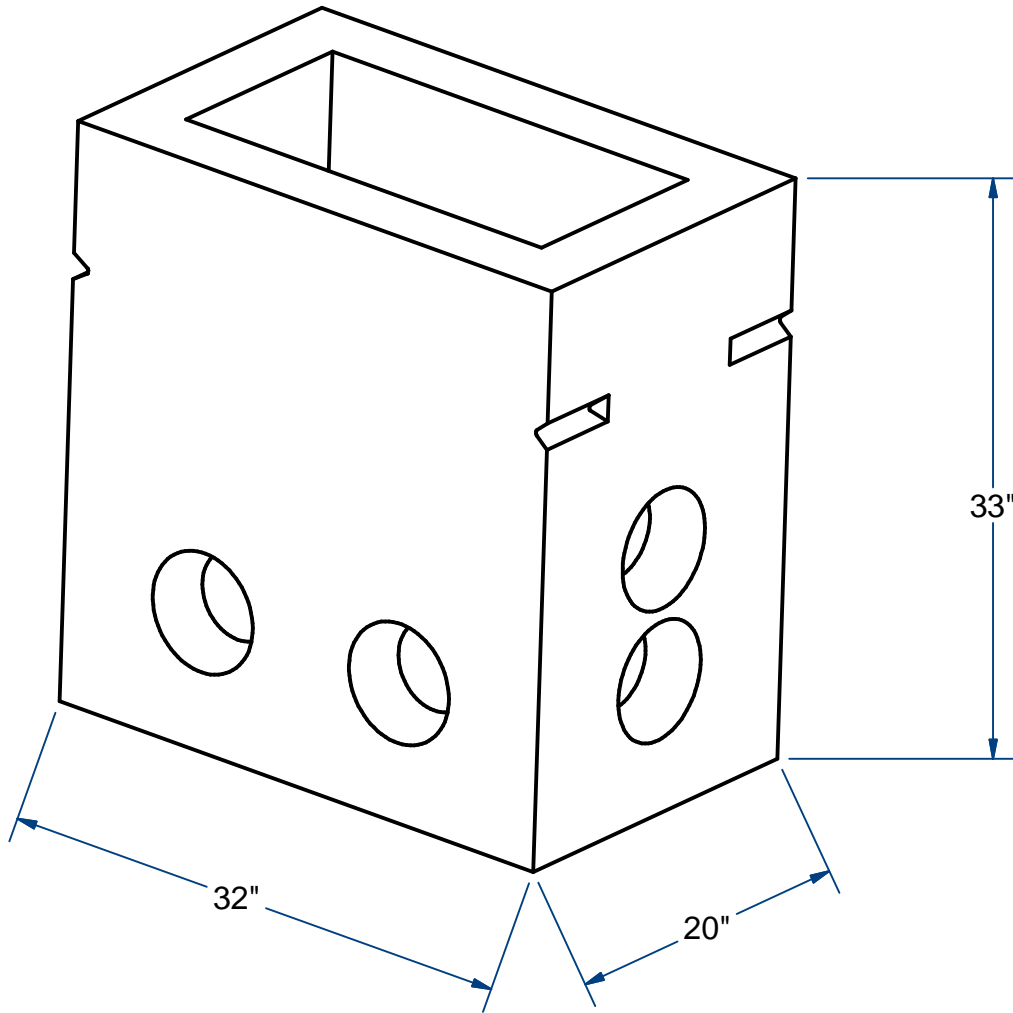
WWW.ACMESHOREY.COM

PHONE (508) 548-9607

FAX (508) 548-1664

CARVER, MA
334 TREMONT STREET

HARWICH, MA
36 GREAT WESTERN ROAD



HAND HOLE (12" X 24")

ELECTRICAL

H20

ITEM# HH12X24ELE

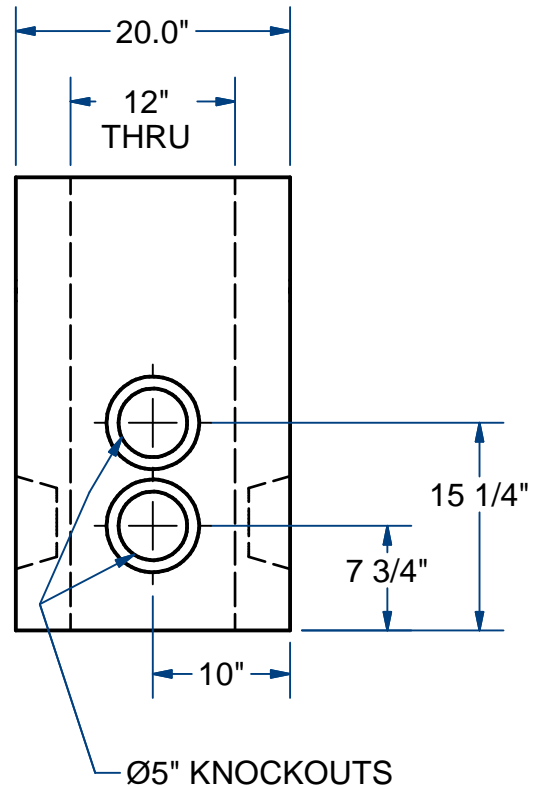
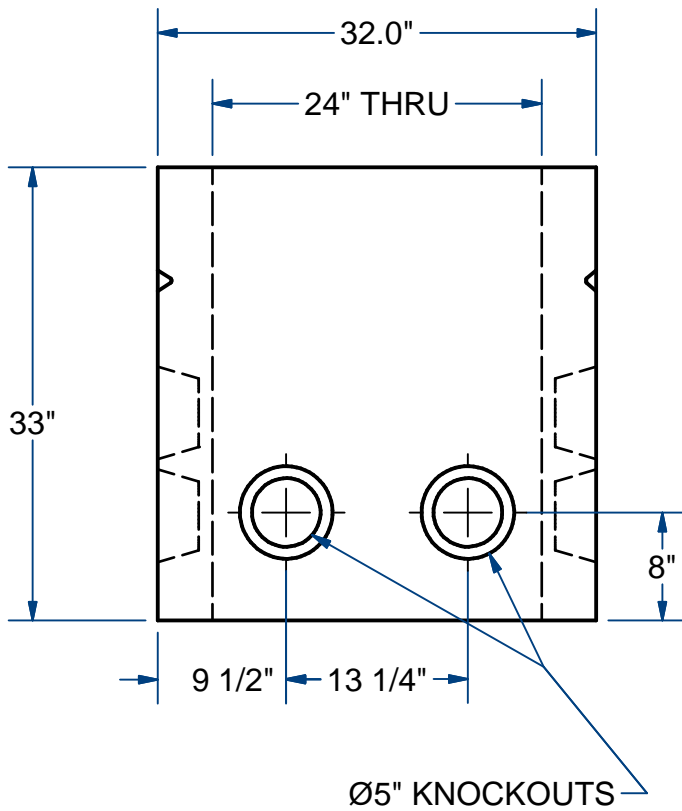
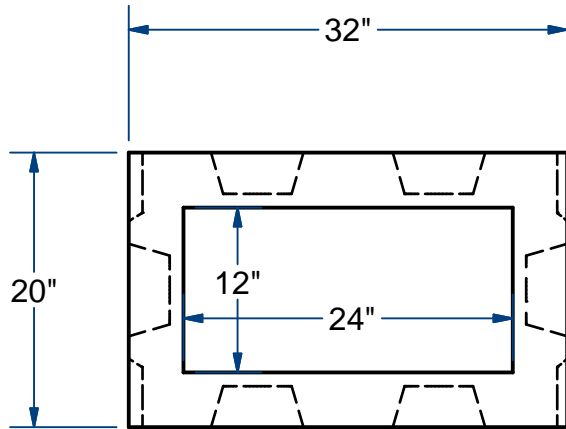
Wt. 975 Lbs

23-11.1

Sht 1 of 2

ACME-SHOREY

PRECAST CONCRETE PRODUCTS



NAME: HAND HOLE 12" X 24" ELECTRICAL

H-20

ITEM# HH12X24ELE

Concrete Minimum Strength: 5,000 p.s.i. at 28 days
 Steel Reinforcement: ASTM A615, Grade 60
 Design Loading: standard units - AASHTO - H20

WEIGHT 975

Lbs

C

DATE: 3-29-22

Ch 23 Pg 11.1 Sht 1 of 2