

# ACME-SHOREY

PRECAST CONCRETE PRODUCTS

WWW.ACMESHOREY.COM

PHONE (508) 548-9607

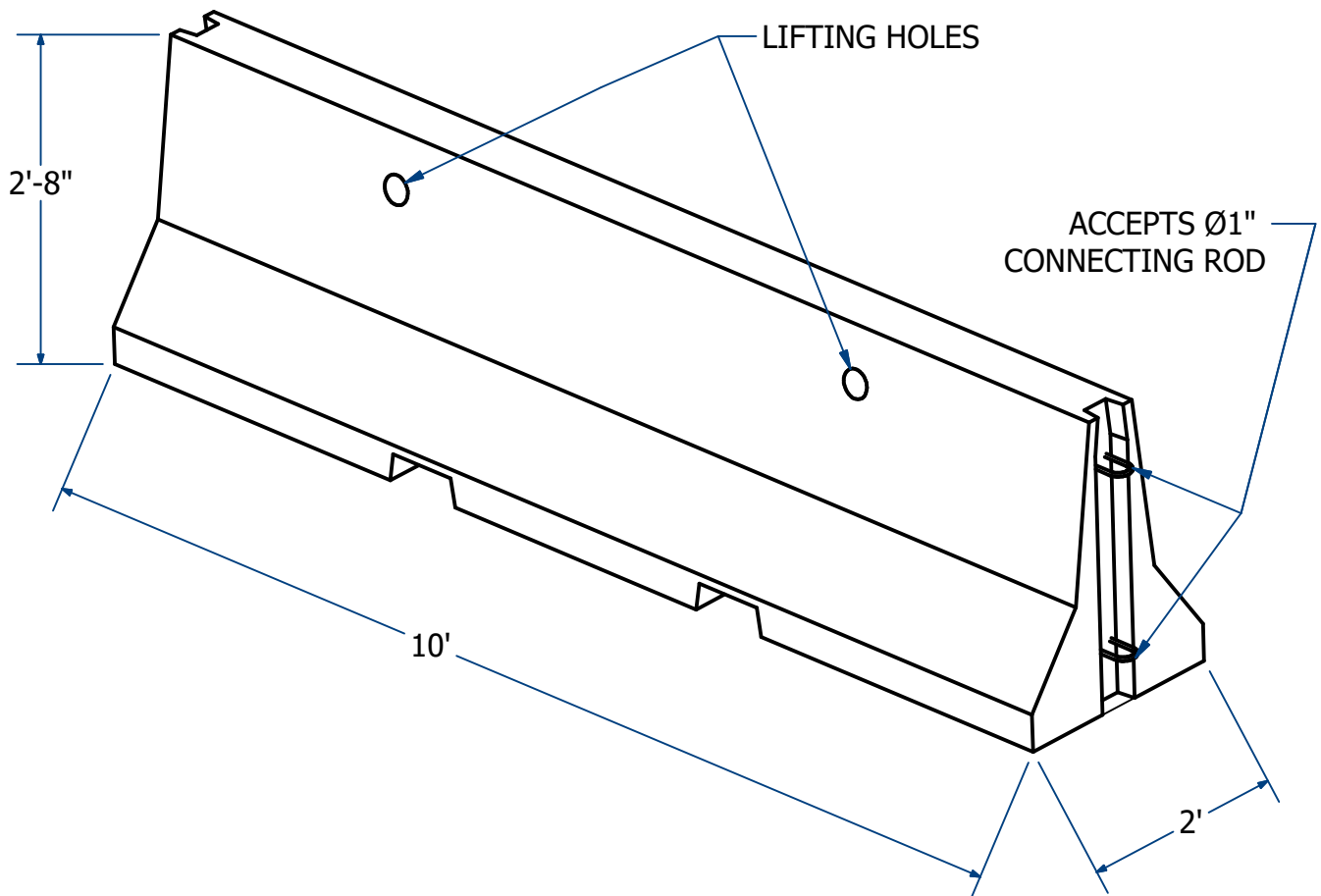
FAX (508) 548-1664

CARVER, MA  
334 TREMONT STREET

HARWICH, MA  
36 GREAT WESTERN ROAD

## NOTES:

- 1.) BARRIERS CAN BE INTERLOCKED END TO END.



## JERSEY BARRIER 2' X 10'

2'-8" Ht

H20

ITEM# JERSEY BARRIERS

Wt. 4,175 Lbs

19-8.1

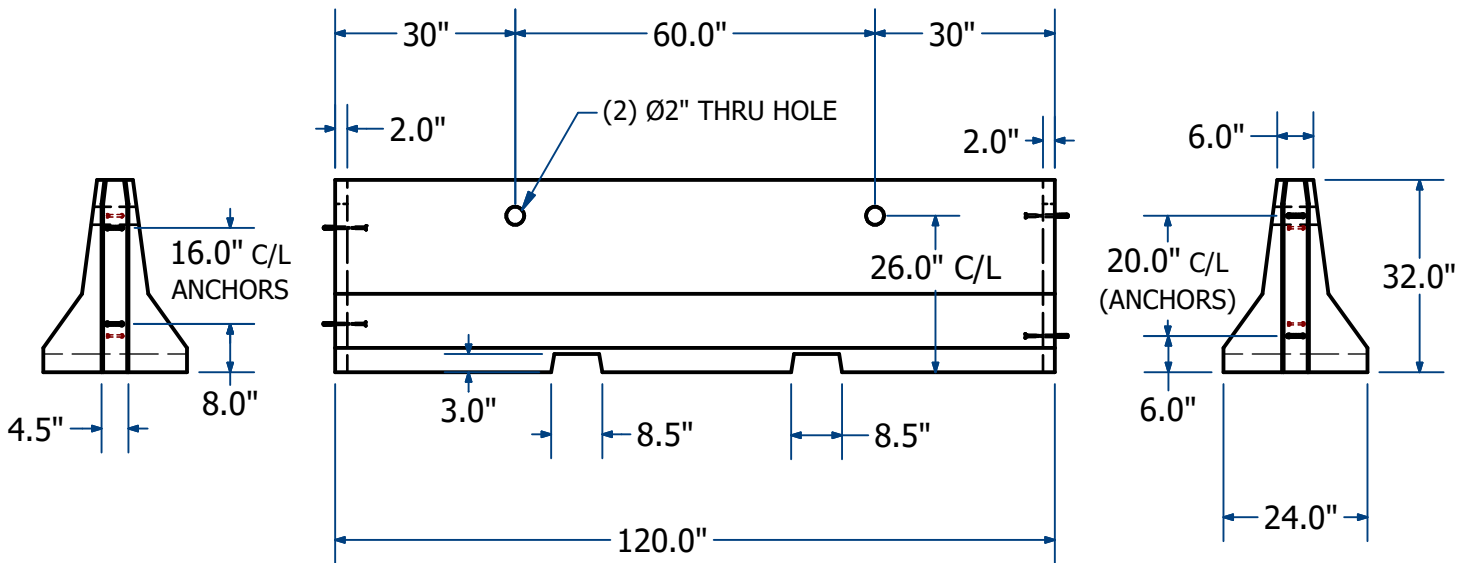
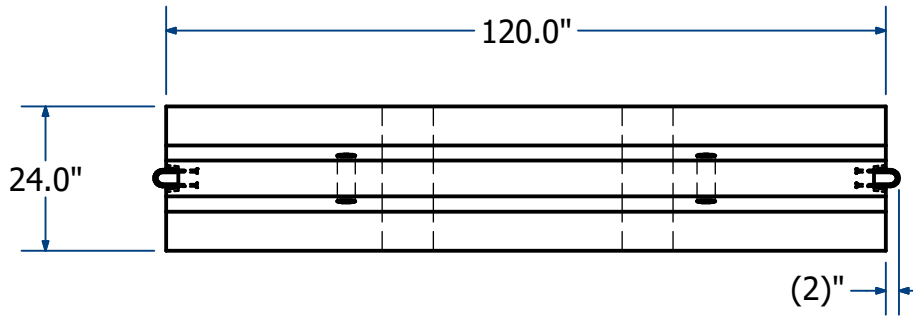
Sht 1 of 2

# ACME-SHOREY

PRECAST CONCRETE PRODUCTS

NOTES:

- 1.) ANCHORS AT EACH END ARE AT DIFFERENT HEIGHTS AND CAN BE INTERLOCKED END TO END.



**NAME: JERSEY BARRIERS 2' X 10' X 2'-8"Ht**

**H-20**

**ITEM# JERSEY BARRIERS**

Concrete Minimum Strength: 5,000 p.s.i. at 28 days  
 Steel Reinforcement: ASTM A615, Grade 60  
 Design Loading: standard units - AASHTO - H20

**WEIGHT 4,175 Lbs**

**CH**

**DATE: 11-12-2020**