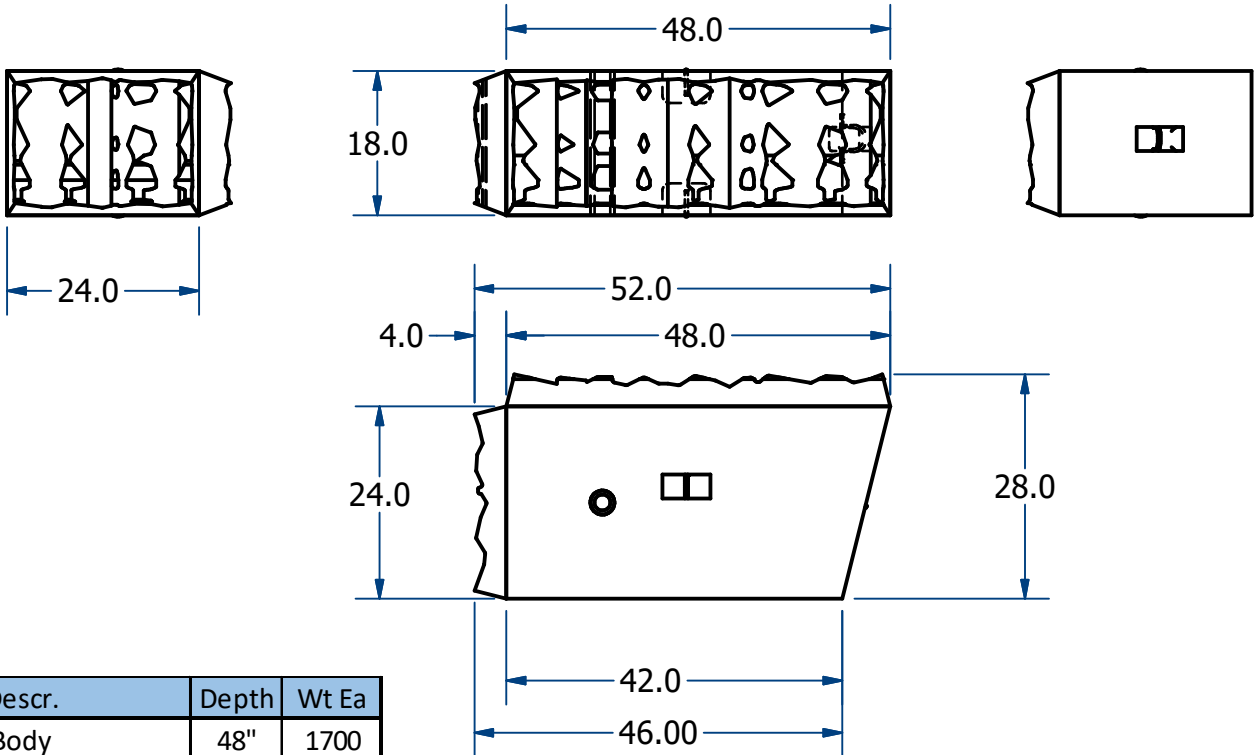
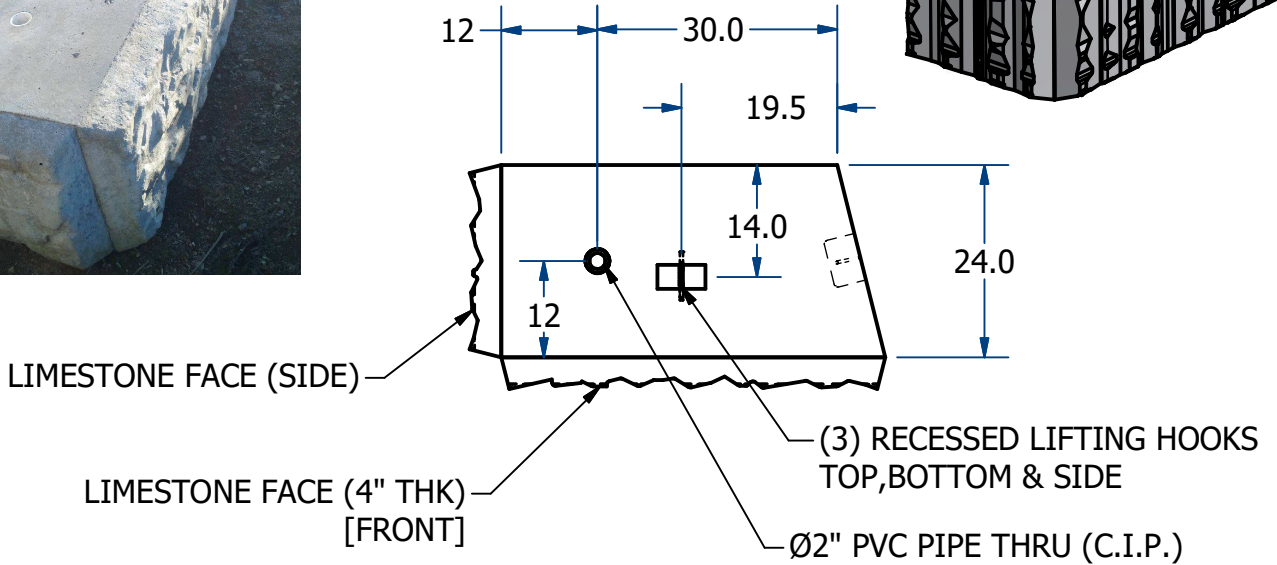
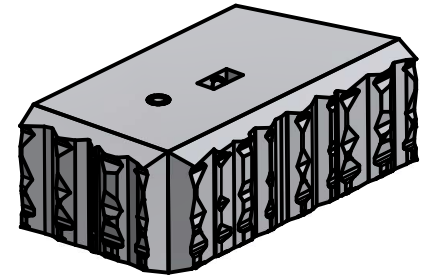


ACME-SHOREY

PRECAST CONCRETE PRODUCTS

NOTES:

- 1.) CAN BE FLIPPED OVER AND USED FOR EITHER SIDE.
- 2.) FACE AREA = 6 + 3 = 9 SQFT



Descr.	Depth	Wt Ea
Body	48"	1700
Front, Limestone Face x 48"	4"	250
Side, Limestone Face x 24"	4"	125
		2075

NAME: 90 DEGREE RETURN (LB42)

H-20

ITEM# LB90B

Concrete Minimum Strength: 5,000 p.s.i. at 28 days
 Steel Reinforcement: ASTM A615, Grade 60
 Design Loading: standard units - AASHTO - H20

WEIGHT 2075

Lbs

C

DATE: 8-17-20

Ch 20

Pg 1.6

Sht 2 of 2