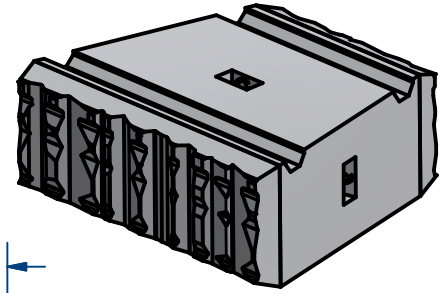


ACME-SHOREY

PRECAST CONCRETE PRODUCTS

NOTES:

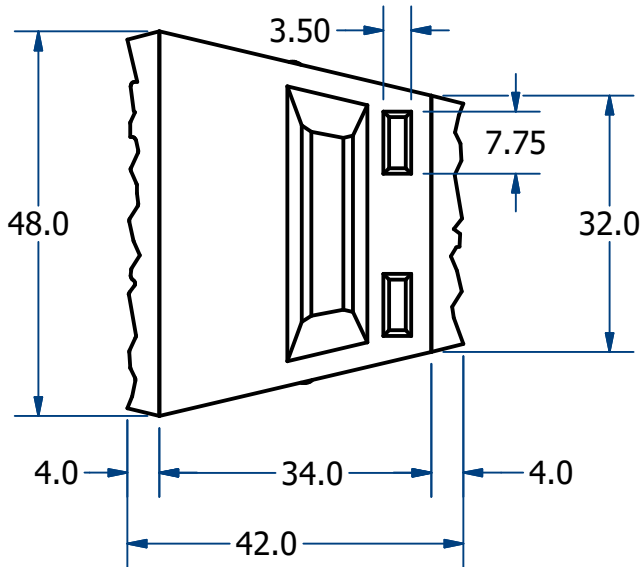
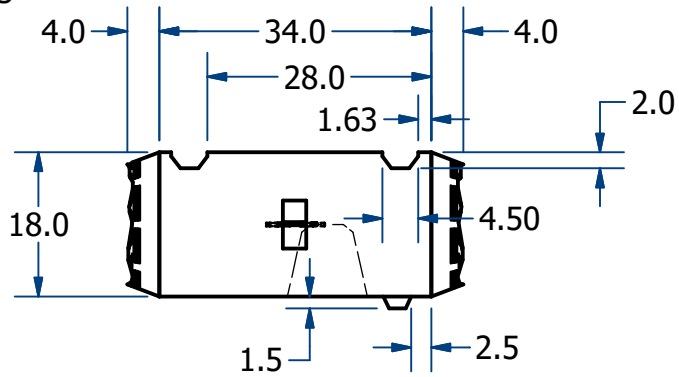
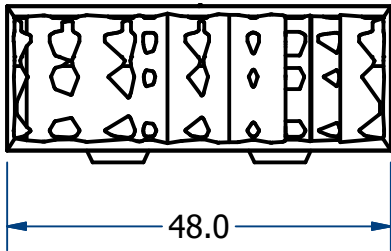
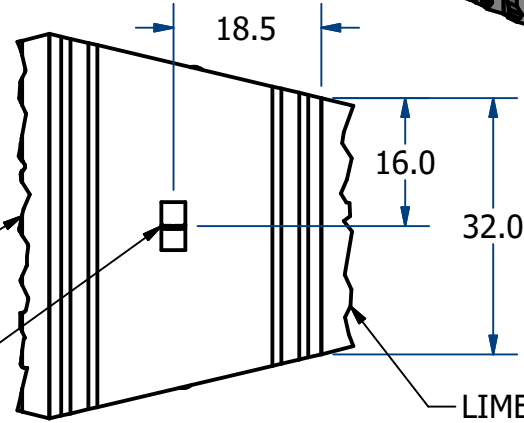
1.) FRONT FACE AREA = 6 SQFT.



LIMESTONE FACE
(FRONT)

(3) RECESSED LIFTING HOOKS
TOP & BOTH SIDES

LIMESTONE FACE



Descr.	Depth	Wt Ea
Body	34"	2000
Front, Limestone Face x 48"	4"	250
Back, Limestone Face x 32"	4"	175
		2425

NAME: FULL BOULDER (LB42)

H-20 ITEM# LBFB

Concrete Minimum Strength: 5,000 p.s.i. at 28 days
Steel Reinforcement: ASTM A615, Grade 60
Design Loading: standard units - AASHTO - H20

Weight 2,425 Lbs

C

DATE: 8-13-20

Ch 20 Pg 1.1 Sht 2 of 2