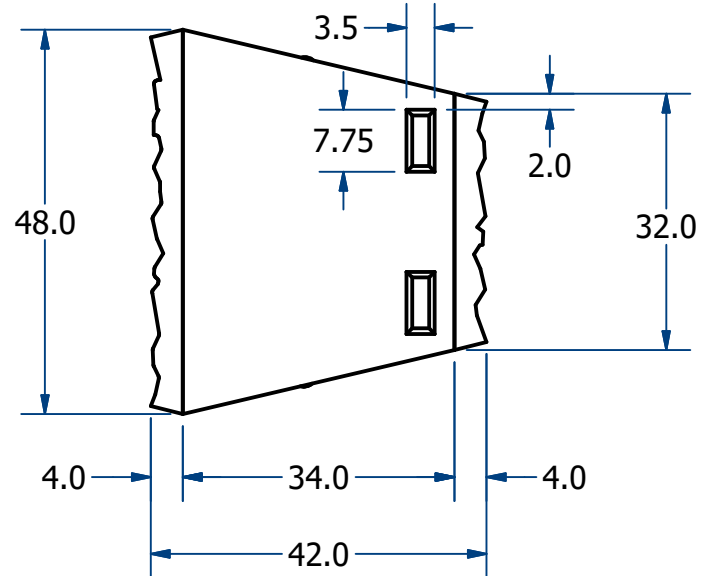
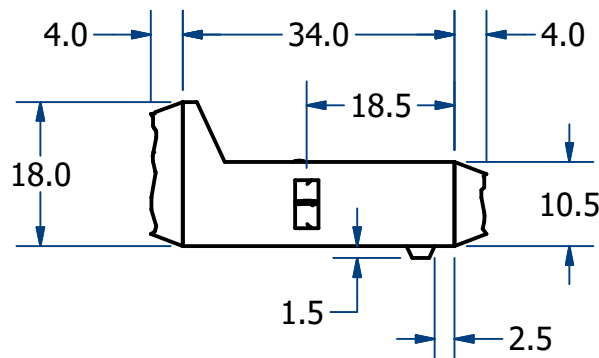
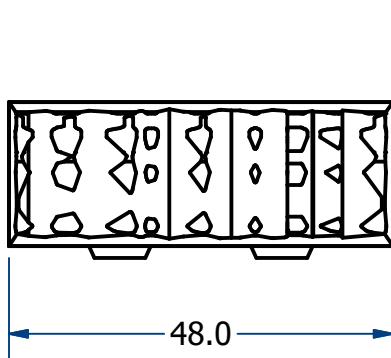
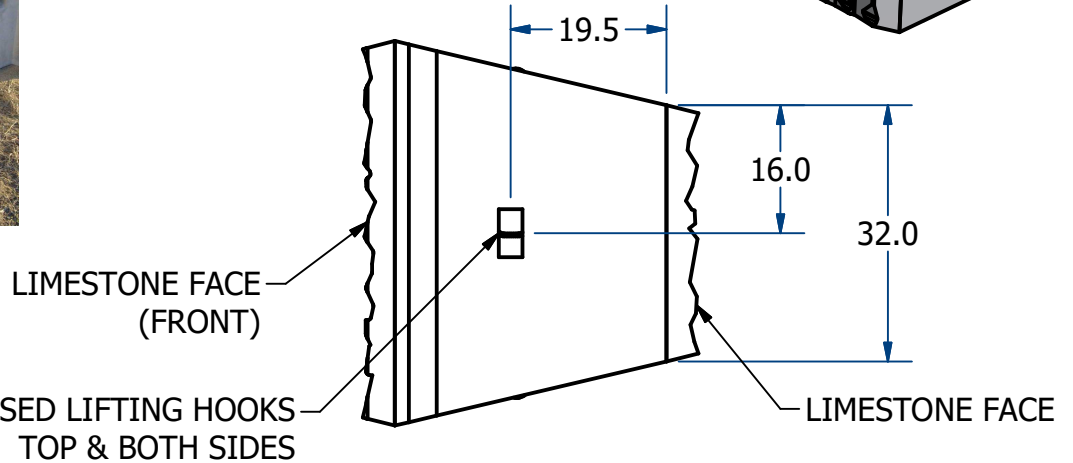
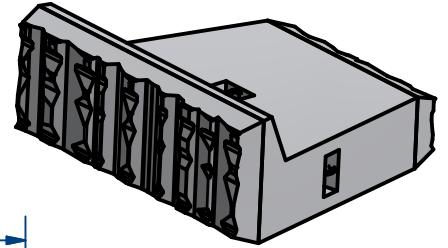


ACME-SHOREY

PRECAST CONCRETE PRODUCTS

NOTES: FRONT FACE AREA=6 SQFT



Descr.	Depth	Wt Ea
BODY	34"	1350
FRONT FACE	4"	250
BACK LIMESTONE FACE	4"	100
		1700

NAME: FULL CAP BOULDER (LB42)

H-20

ITEM# LBFCB

Concrete Minimum Strength: 5,000 p.s.i. at 28 days
 Steel Reinforcement: ASTM A615, Grade 60
 Design Loading: standard units - AASHTO - H20

Weight 1,700 Lbs

C

DATE: 8-13-20

Ch 20 Pg 1.3 Sht 2 of 2