

# ACME-SHOREY

PRECAST CONCRETE PRODUCTS

WWW.ACME-SHOREY.COM

PHONE (508) 548-9607

FAX (508) 548-1664

CARVER, MA

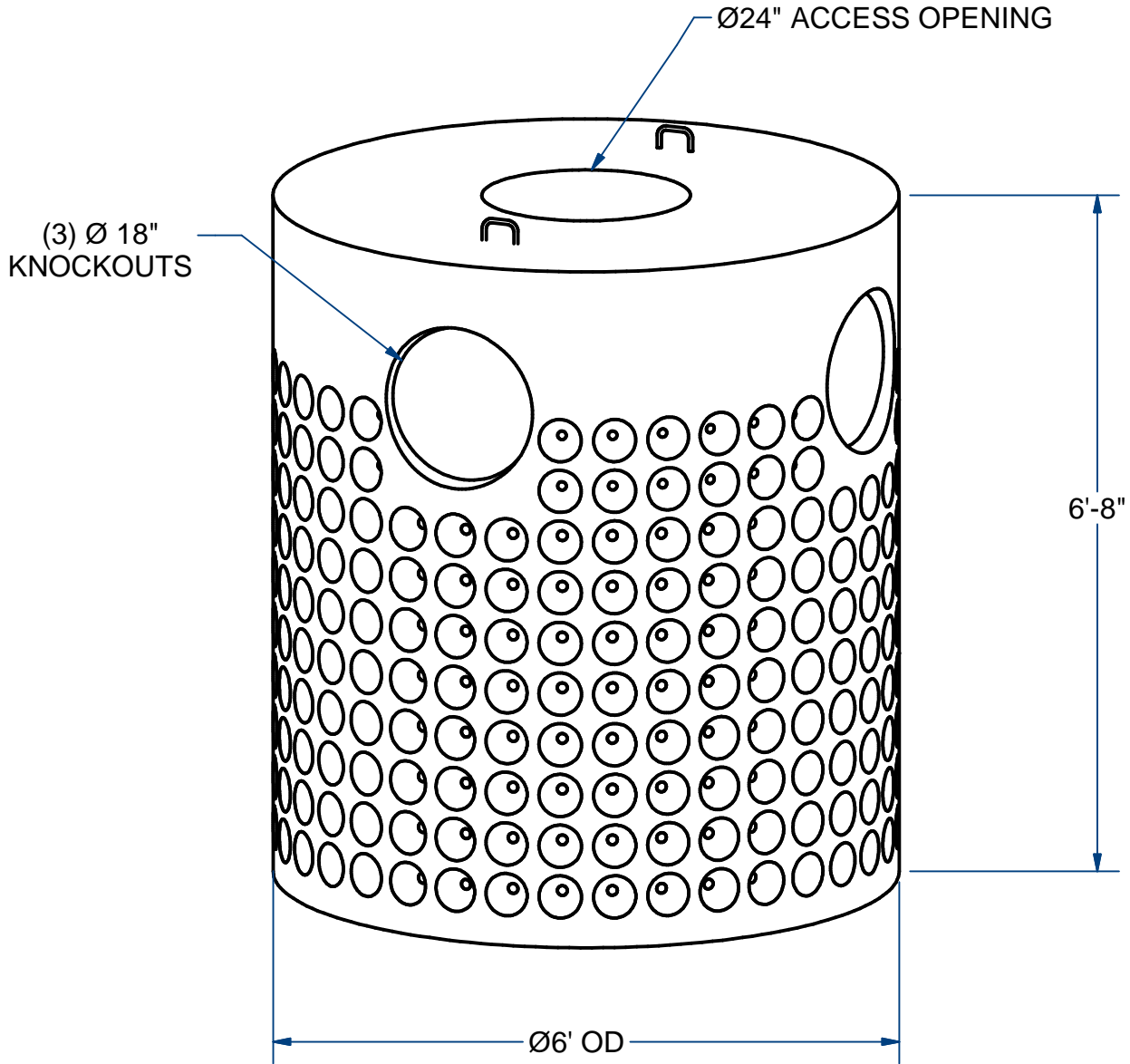
334 TREMONT STREET

HARWICH, MA

36 GREAT WESTERN ROAD

NOTES:

1.) DRAINAGE PRODUCT.



## LEACHING PIT

H20

1000 Gallon

ITEM# LP102

Wt. 6,000 Lbs

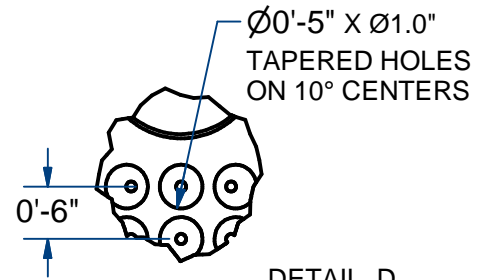
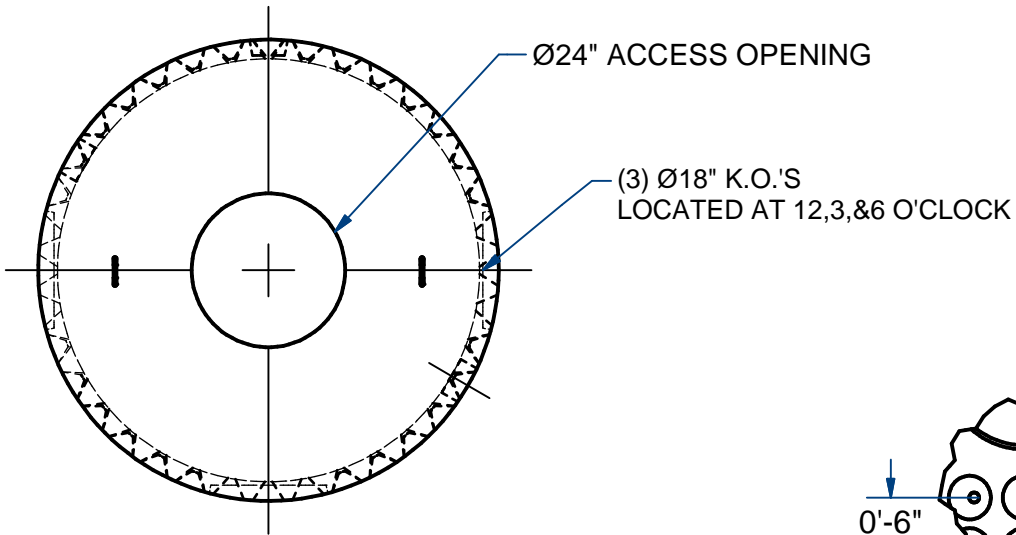
12-4.3

Sht 1 of 2

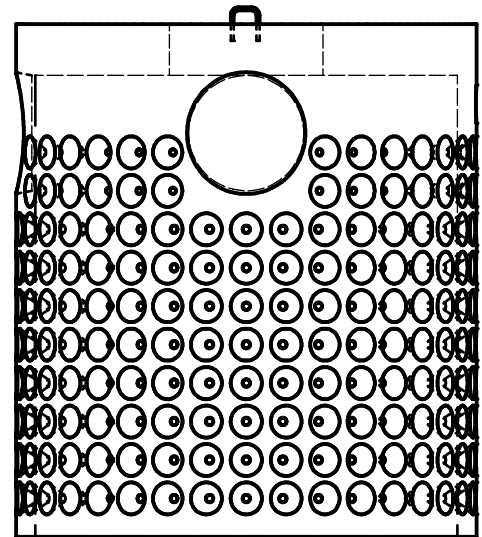
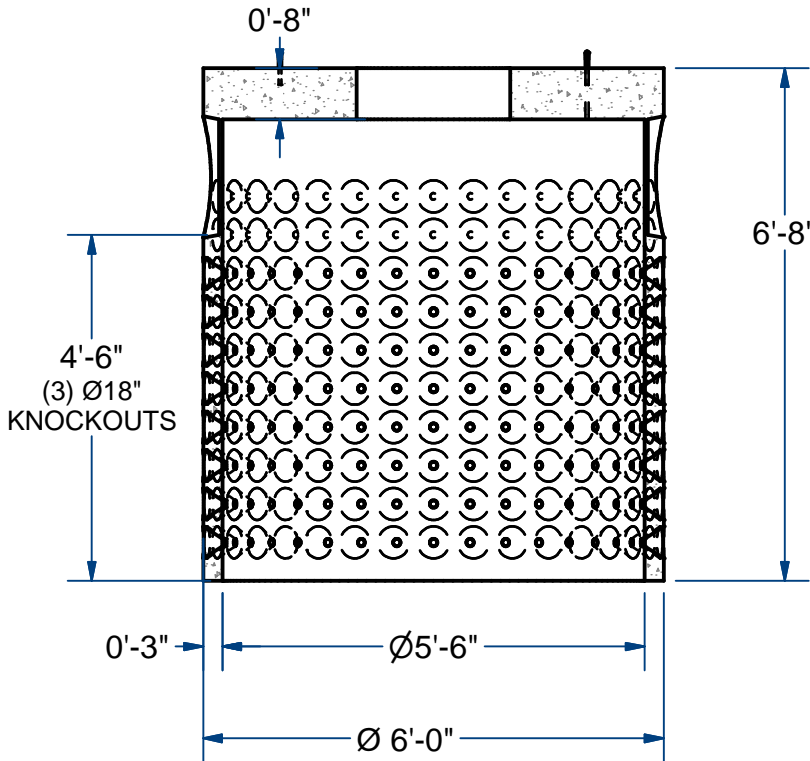
# ACME-SHOREY

PRECAST CONCRETE PRODUCTS

NOTES:  
1.) DRAINAGE PRODUCT.



DETAIL D  
SCALE 1 / 22



**NAME: LEACHING PIT 1000 Gallon**

**H-20**

**ITEM# LP102**

Concrete Minimum Strength: 5,000 p.s.i. at 28 days  
Steel Reinforcement: ASTM A615, Grade 60  
Design Loading: standard units - AASHTO - H20

WEIGHT 6,000 Lbs

C

DATE: 9-22-2021

Ch 12 Pg 4.3 Sht 2 of 2