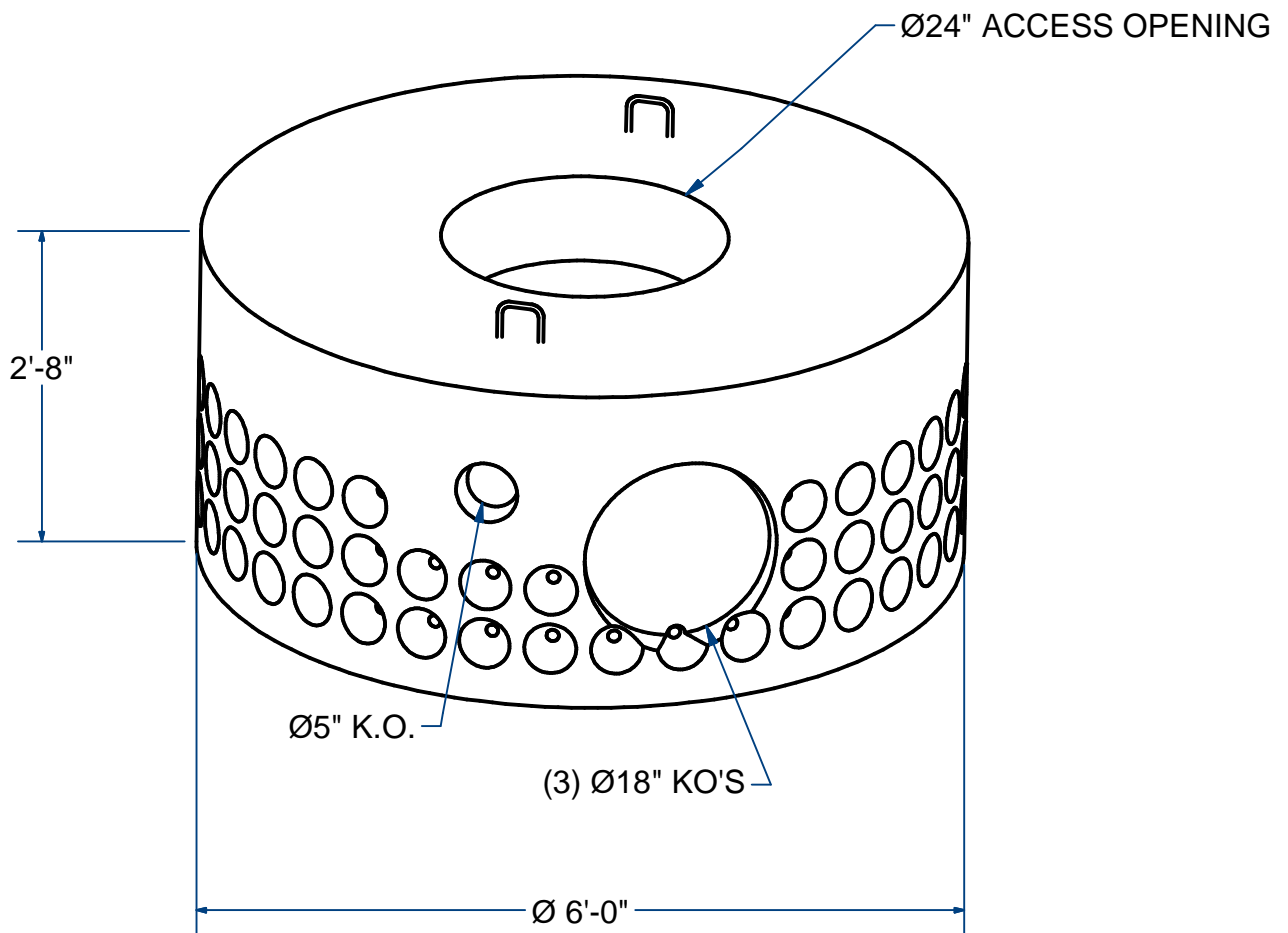


NOTES:  
 1.) DRAINAGE PRODUCT.



**LEACHING PIT**

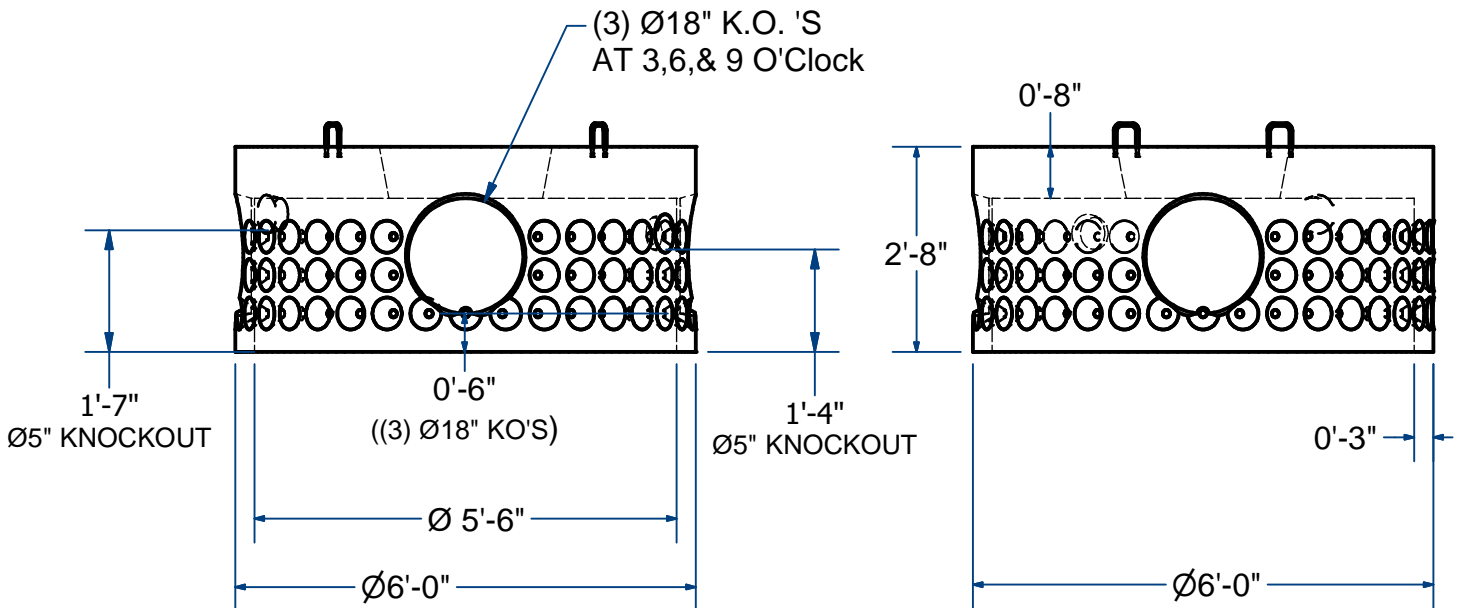
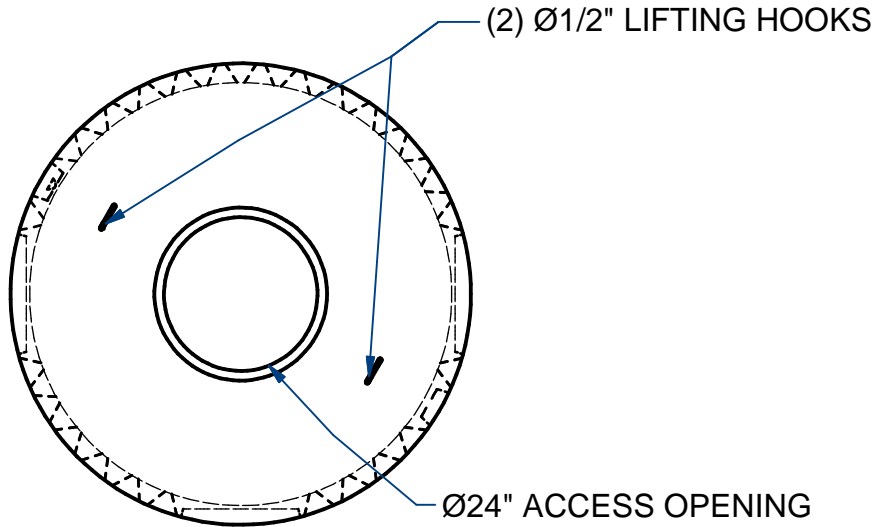
H20

200 Gallon

# ACME-SHOREY

PRECAST CONCRETE PRODUCTS

NOTES:  
1.) DRAINAGE PRODUCT.



**NAME: LEACHING PIT, 200 Gallon**

**H-20**

**ITEM# LP22**

Concrete Minimum Strength: 5,000 p.s.i. at 28 days  
Steel Reinforcement: ASTM A615, Grade 60  
Design Loading: standard units - AASHTO - H20

WEIGHT 3,850 Lbs

C

DATE: 1-12-23

Ch 12 Pg 4.1 Sht 2 of 2