

ACME-SHOREY

PRECAST CONCRETE PRODUCTS

WWW.ACMESHOREY.COM

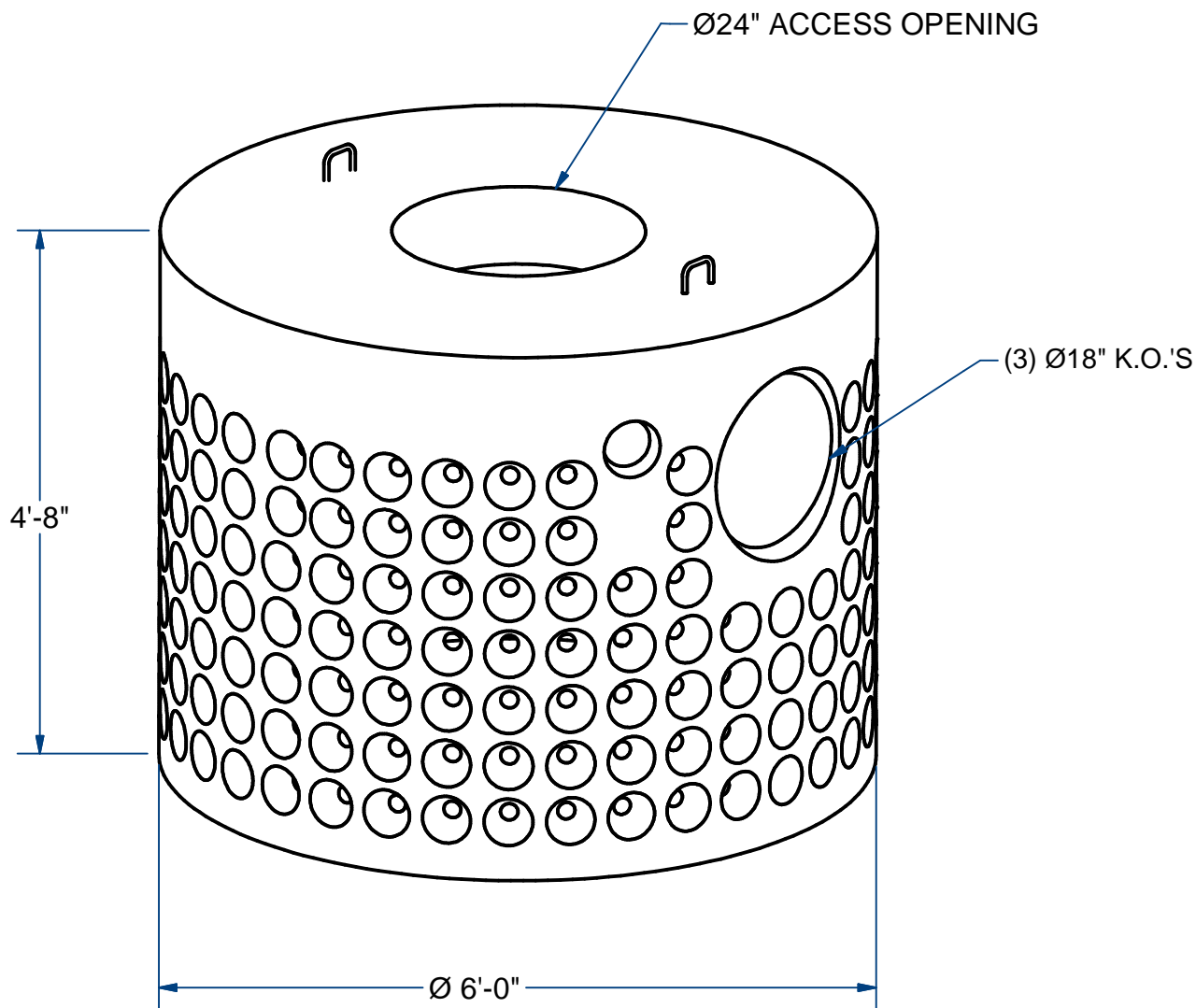
PHONE (508) 548-9607

FAX (508) 548-1664

CARVER, MA
334 TREMONT STREET

HARWICH, MA
36 GREAT WESTERN ROAD

NOTES:
1.) DRAINAGE PRODUCT.



LEACHING PIT

H20

600 Gallon

ITEM# LP62

Wt. 4,850 Lbs

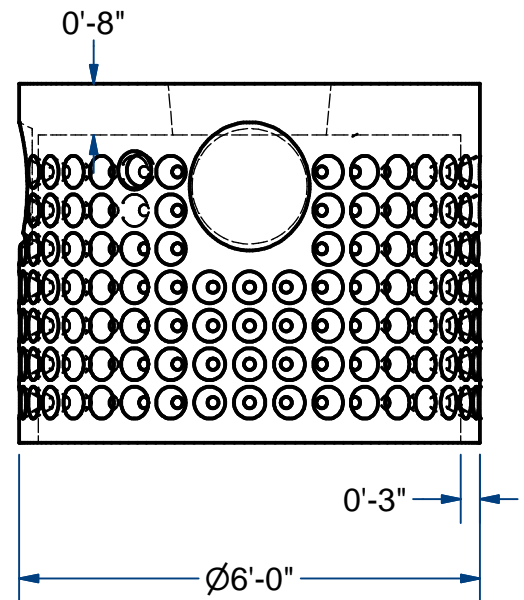
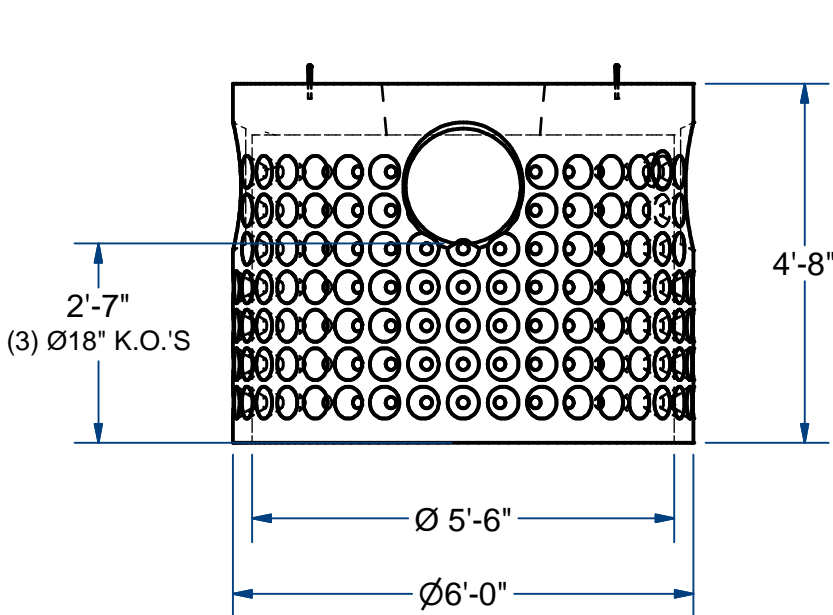
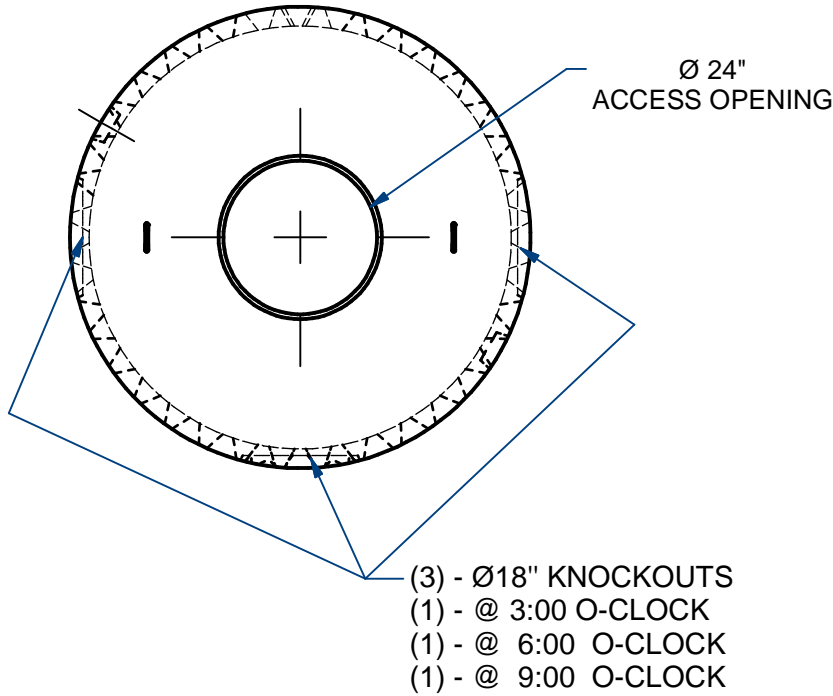
12-4.2

Sht 1 of 2

ACME-SHOREY

PRECAST CONCRETE PRODUCTS

NOTES:
1.) DRAINAGE PRODUCT.



NAME: LEACHING PIT, 600 Gallon

H-20

ITEM# LP62

Concrete Minimum Strength: 5,000 p.s.i. at 28 days
Steel Reinforcement: ASTM A615, Grade 60
Design Loading: standard units - AASHTO - H20

WEIGHT 4,850

Lbs

C

DATE: 1-12-23

Ch 12 Pg 4.2 Sht 2 of 2