

ACME-SHOREY

PRECAST CONCRETE PRODUCTS

WWW.ACMESHOREY.COM

PHONE (508) 548-9607

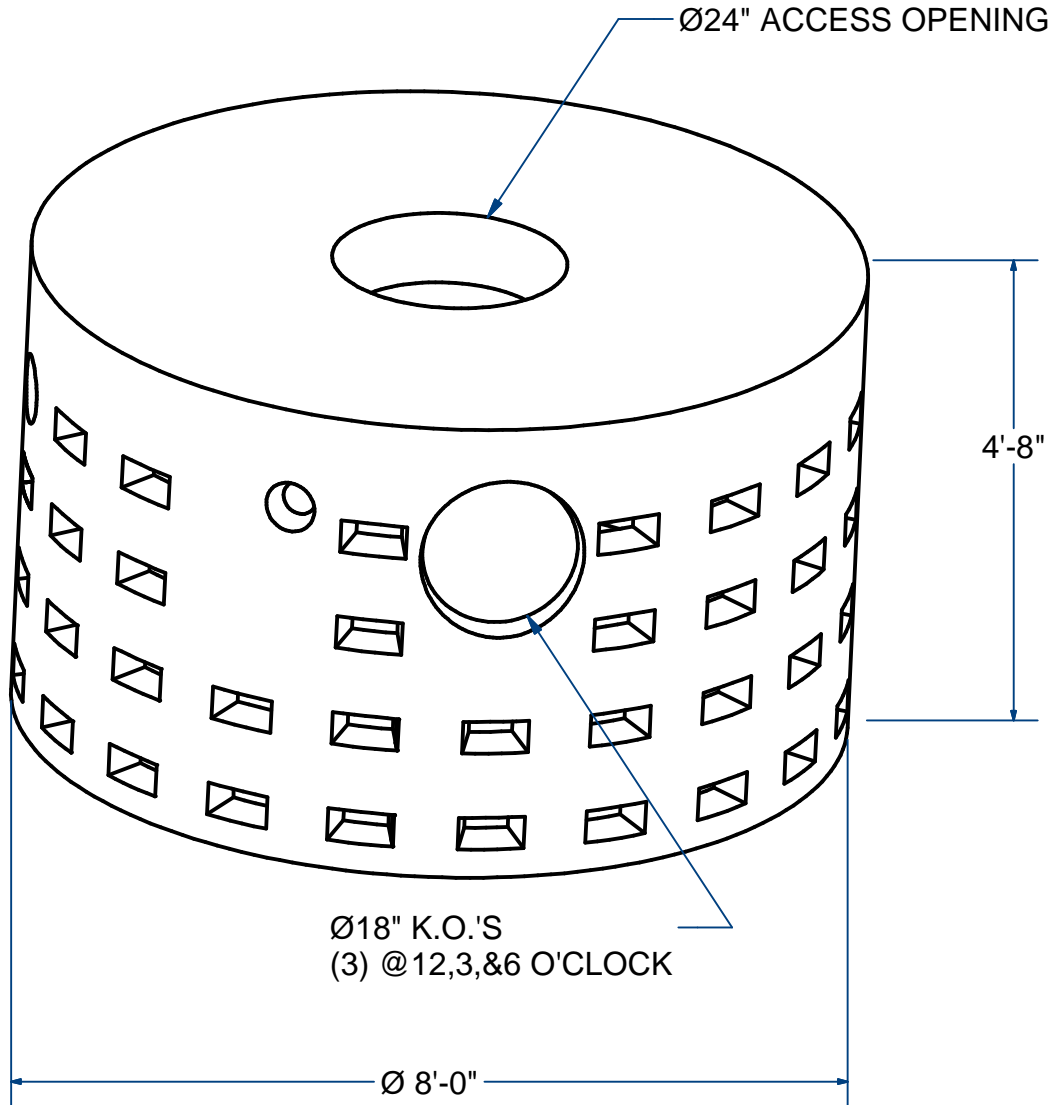
FAX (508) 548-1664

CARVER, MA
334 TREMONT STREET

HARWICH, MA
36 GREAT WESTERN ROAD

NOTES:

1.) DRAINAGE PRODUCT.



LEACHING PIT

8' O.D. X 4'-8"Ht

H20

ITEM# LP842

Wt. 9,560 Lbs

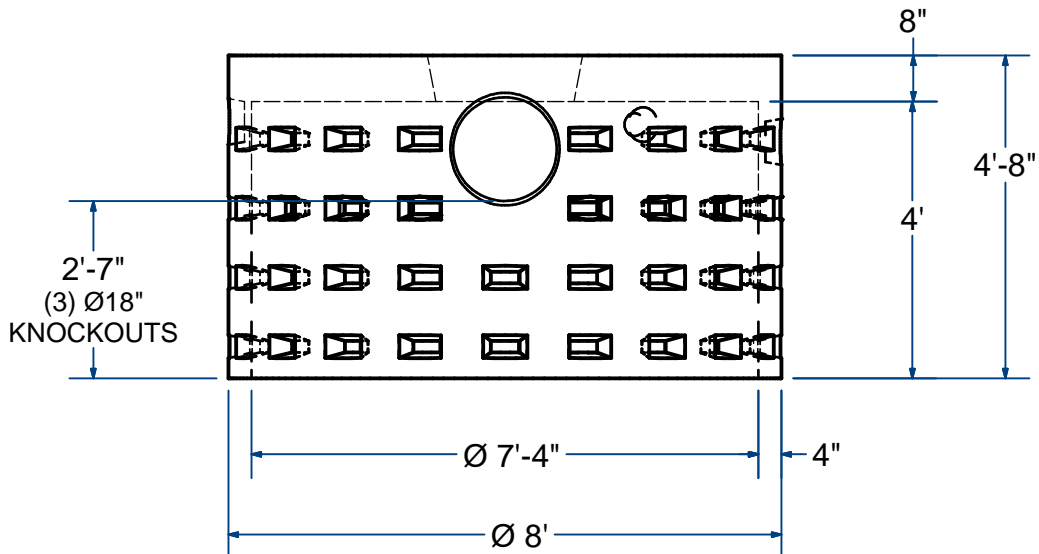
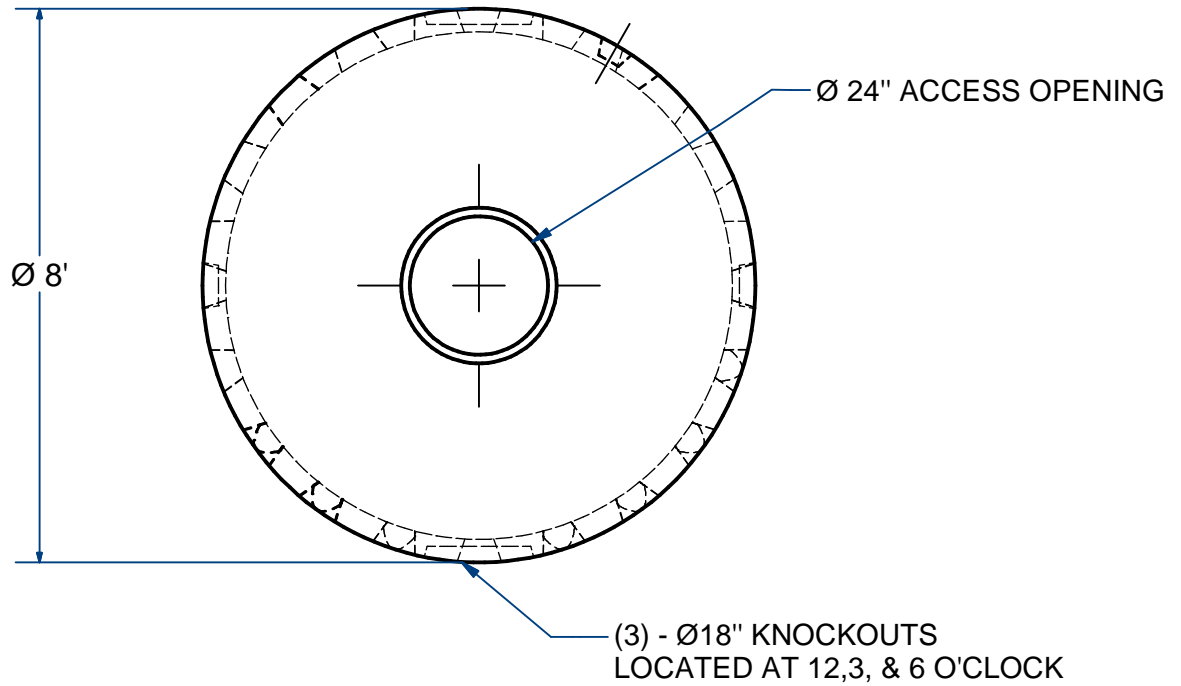
12-7.2

Sht 1 of 2

ACME-SHOREY

PRECAST CONCRETE PRODUCTS

NOTES:
1.) DRAINAGE PRODUCT.



NAME: LEACHING PIT, 8'O.D. x 4'-8" Ht.

H-20

ITEM# LP842

Concrete Minimum Strength: 5,000 p.s.i. at 28 days
Steel Reinforcement: ASTM A615, Grade 60
Design Loading: standard units - AASHTO - H20

WEIGHT 9,560 Lbs

A

DATE: 9-13-2018

Ch 12 Pg 7.2 Sht 2 of 2