

ACME-SHOREY

PRECAST CONCRETE PRODUCTS

WWW.ACMESHOREY.COM

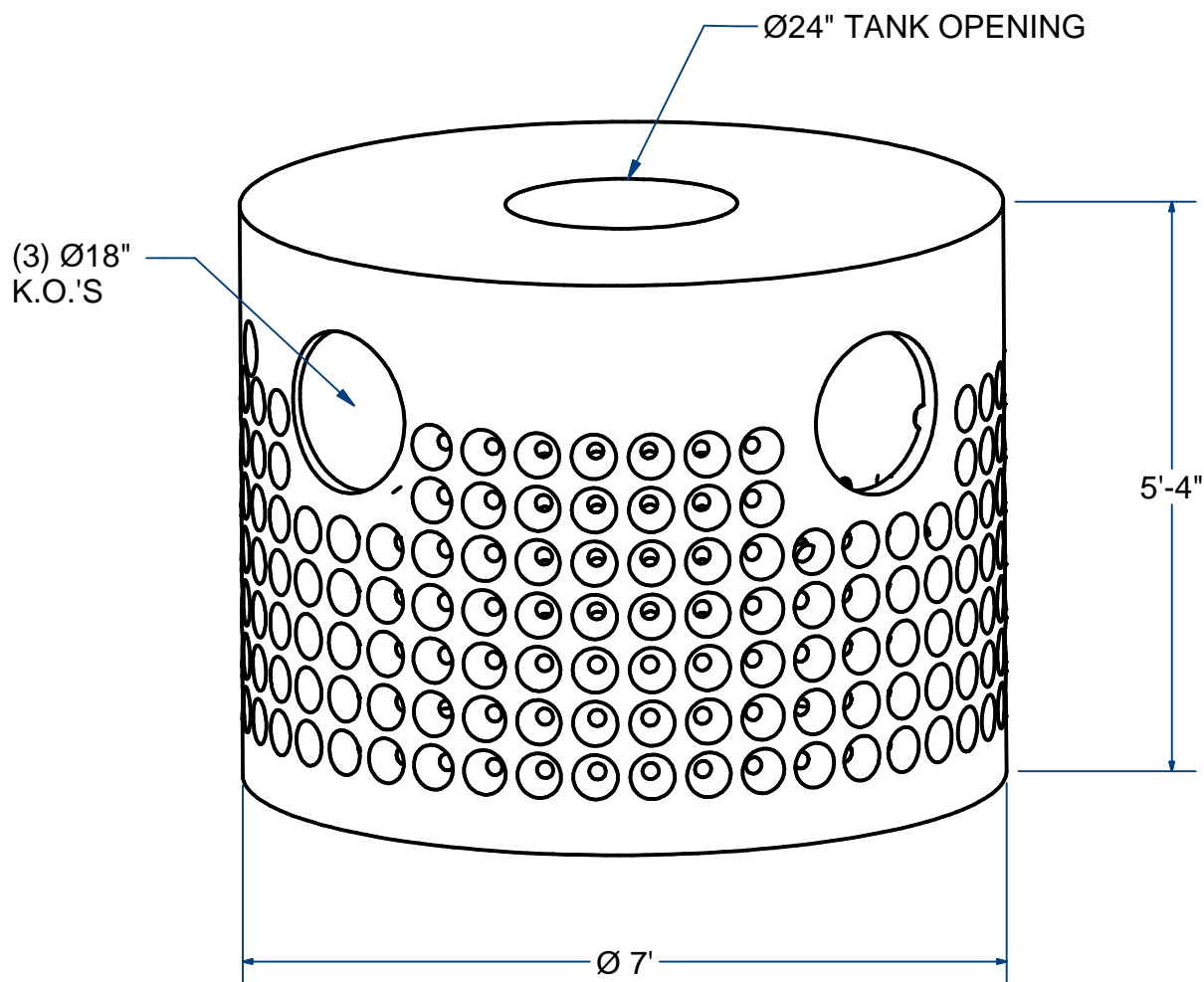
PHONE (508) 548-9607

FAX (508) 548-1664

CARVER, MA
334 TREMONT STREET

HARWICH, MA
36 GREAT WESTERN ROAD

NOTES:
1.) DRAINAGE PRODUCT.



LEACHING PIT, LOW PROFILE

H20

1,000 Gallon

ITEM# LPLP102

Wt. 6,800 Lbs

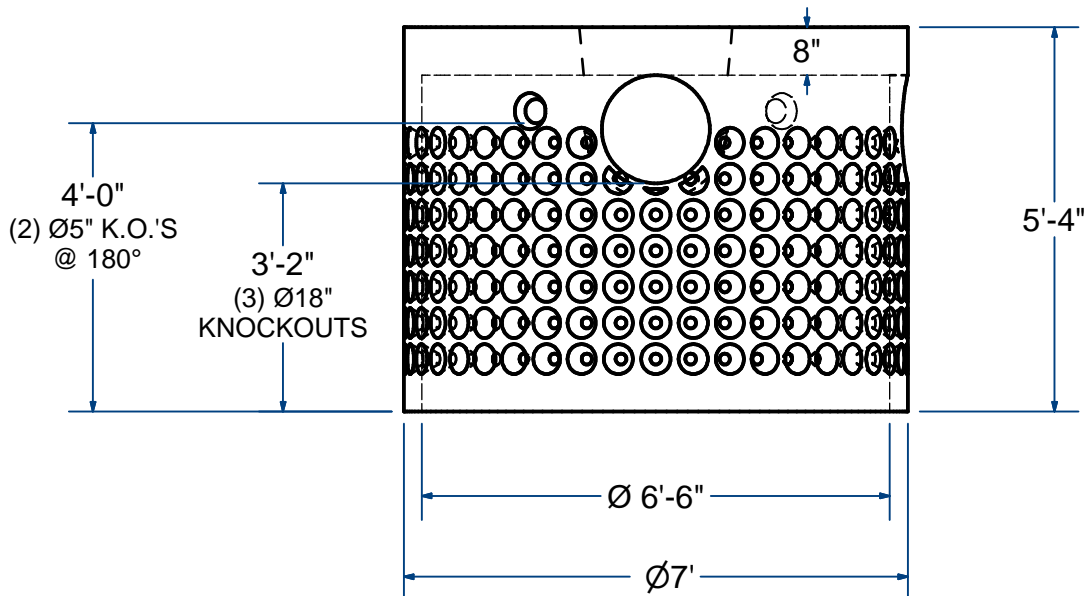
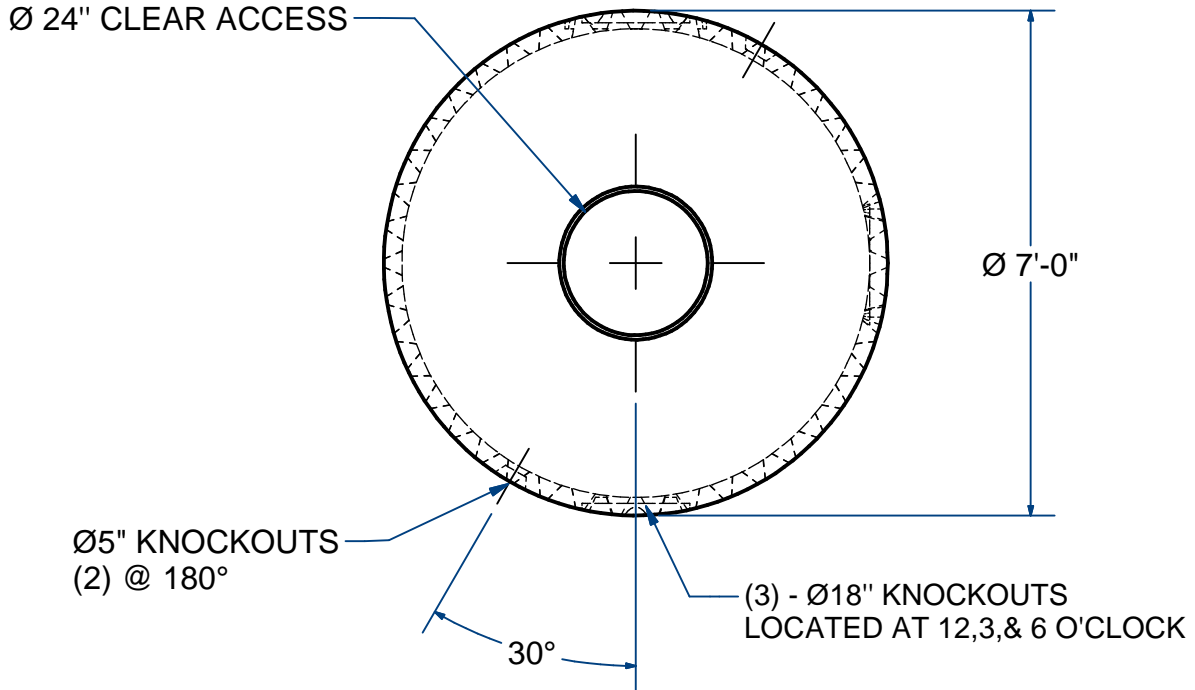
12-6.1

Sht 1 of 2

ACME-SHOREY

PRECAST CONCRETE PRODUCTS

NOTES:
1.) DRAINAGE PRODUCT.



NAME: LEACHING PIT ,LOW PROFILE,1000 Gallon

H-20

ITEM# LPLP102

Concrete Minimum Strength: 5,000 p.s.i. at 28 days
Steel Reinforcement: ASTM A615, Grade 60
Design Loading: standard units - AASHTO - H20

WEIGHT 6,800 Lbs

A

DATE: 12-30-2018

Ch 12 Pg 6.1 Sht 2 of 2