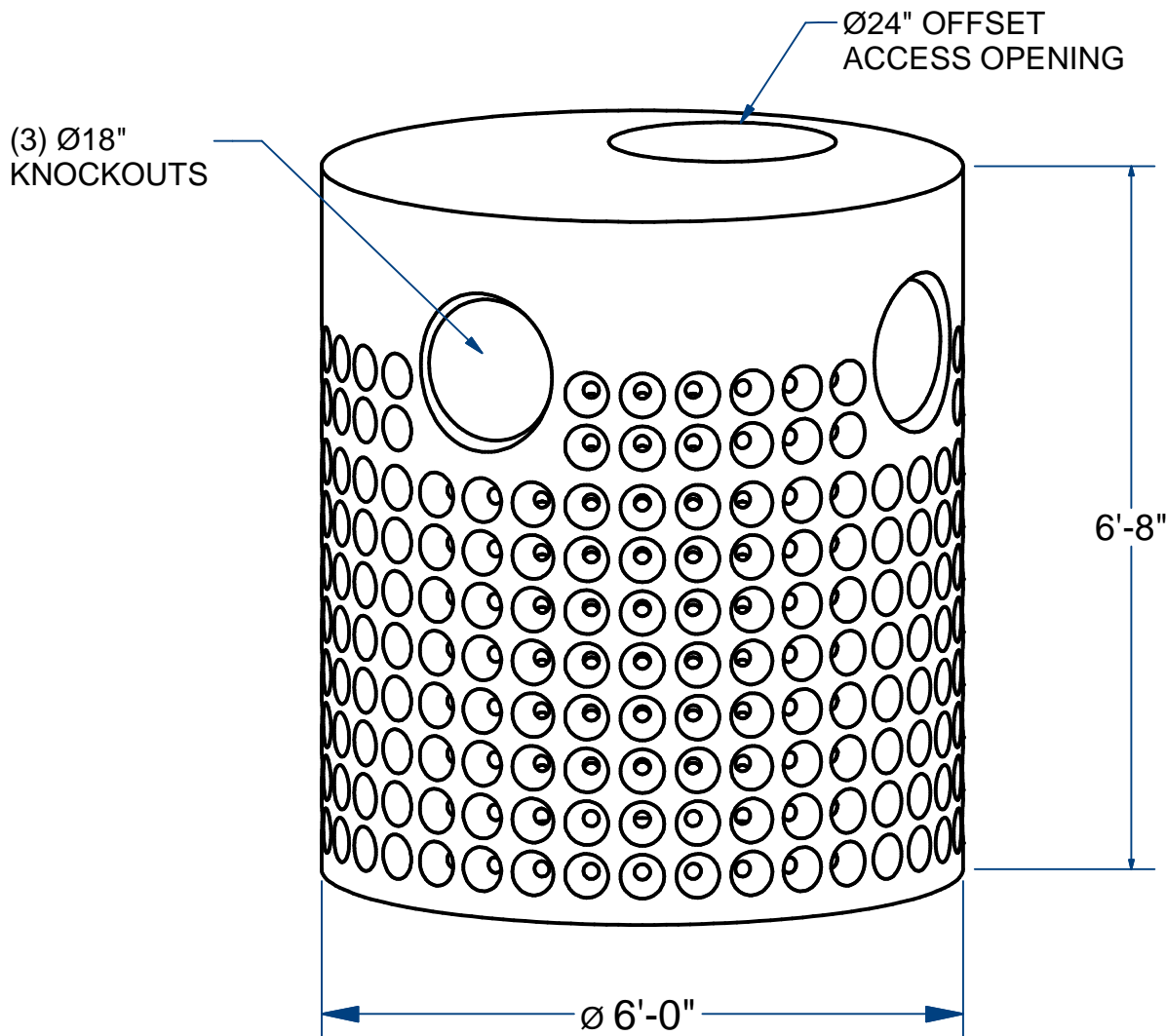


NOTES:  
1.) DRAINAGE PRODUCT.



**LEACHING PIT ,OFFSET ACCESS**

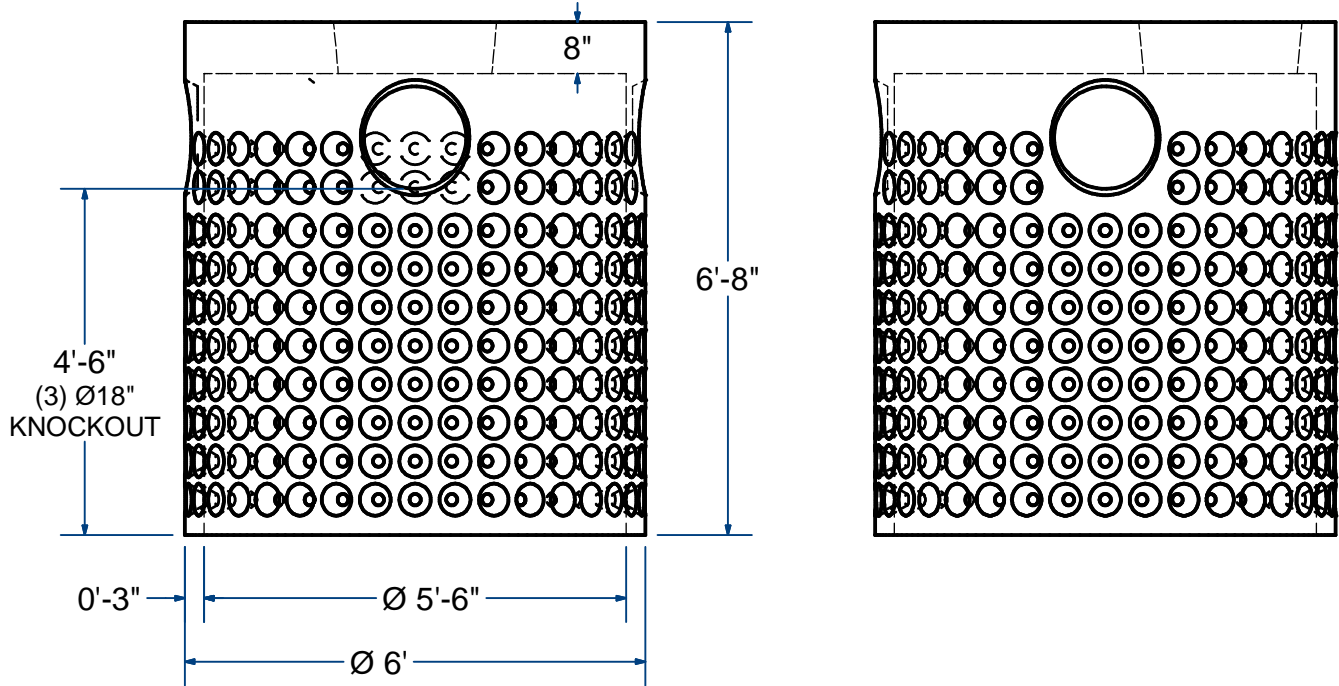
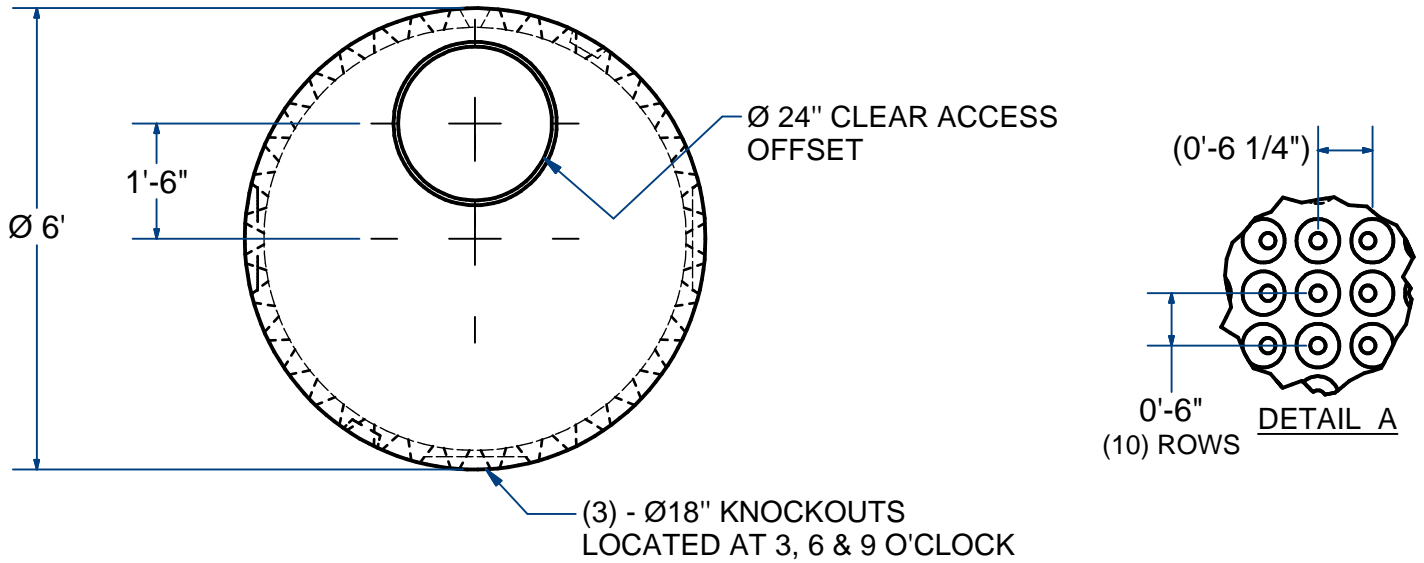
H20

1000 Gallon

# ACME-SHOREY

PRECAST CONCRETE PRODUCTS

NOTES:  
1.) DRAINAGE PRODUCT.



**NAME:** LEACHING PIT, OFFSET ACCESS, 1,000 Gallon H-20

**ITEM#** LPOS102

Concrete Minimum Strength: 5,000 p.s.i. at 28 days  
Steel Reinforcement: ASTM A615, Grade 60  
Design Loading: standard units - AASHTO - H20

**WEIGHT** 6,000 Lbs

C

**DATE:** 4-12-2022

Ch 12 Pg 4.4 Sht 2 of 2