

ACME-SHOREY

PRECAST CONCRETE PRODUCTS

WWW.ACMESHOREY.COM

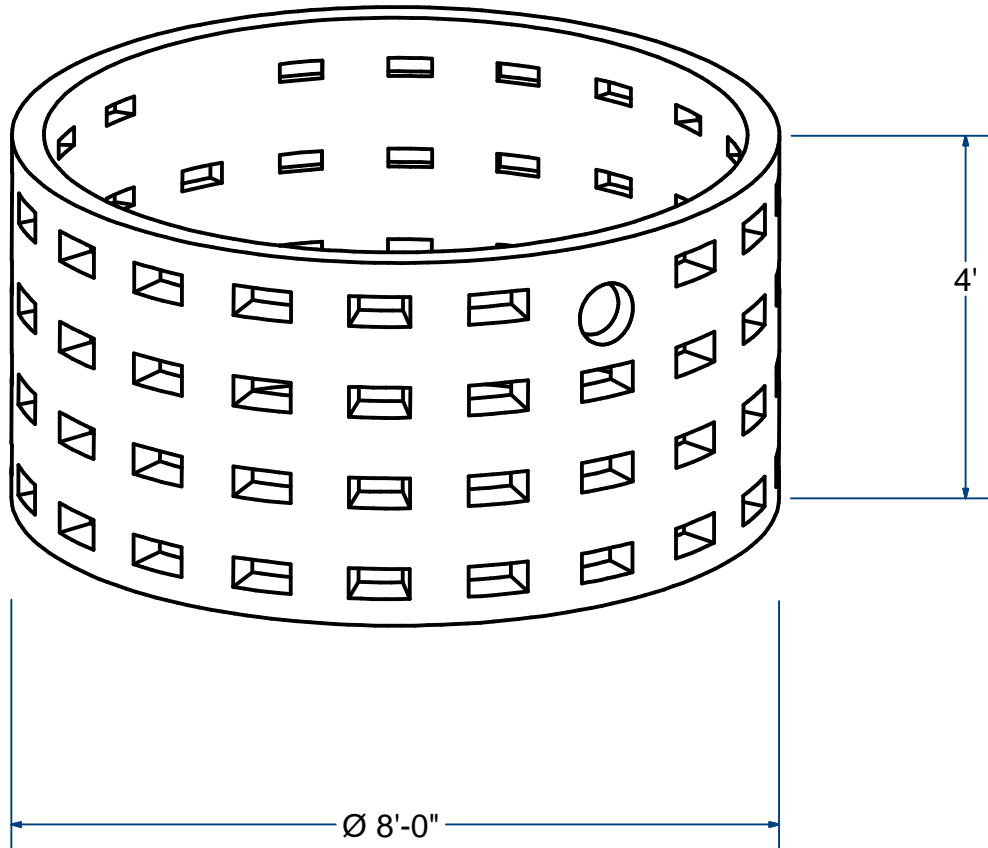
PHONE (508) 548-9607

FAX (508) 548-1664

CARVER, MA
334 TREMONT STREET

HARWICH, MA
36 GREAT WESTERN ROAD

NOTES:
1.) DRAINAGE PRODUCT.



LEACHING SLEEVE

8' O.D. X 4'Ht.

H20

ITEM# LS842

Wt. 4,560 Lbs

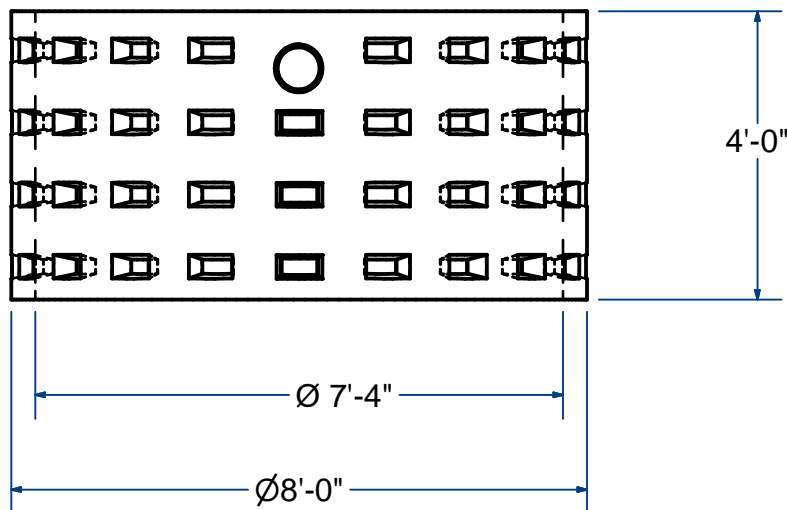
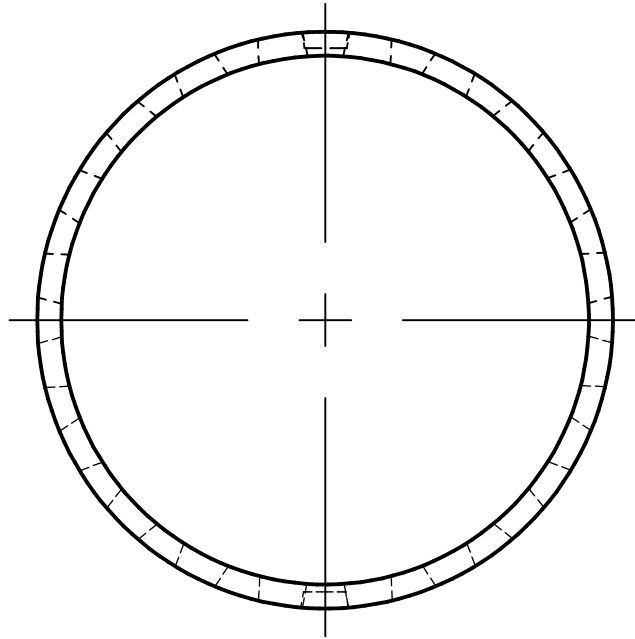
12-8.1

Sht 1 of 2

ACME-SHOREY

PRECAST CONCRETE PRODUCTS

NOTES:
1.) DRAINAGE PRODUCT.



NAME: LEACHING SLEAVE 8'O.D. X 4' Ht.

H-20

ITEM# LS842

Concrete Minimum Strength: 5,000 p.s.i. at 28 days
Steel Reinforcement: ASTM A615, Grade 60
Design Loading: standard units - AASHTO - H20

WEIGHT 4,560 Lbs

A

DATE: 7-1-2018

Ch 12 Pg 8.1 Sht 2 of 2