

ACME-SHOREY

PRECAST CONCRETE PRODUCTS

WWW.ACME-SHOREY.COM

PHONE (508) 548-9607

FAX (508) 548-1664

CARVER, MA

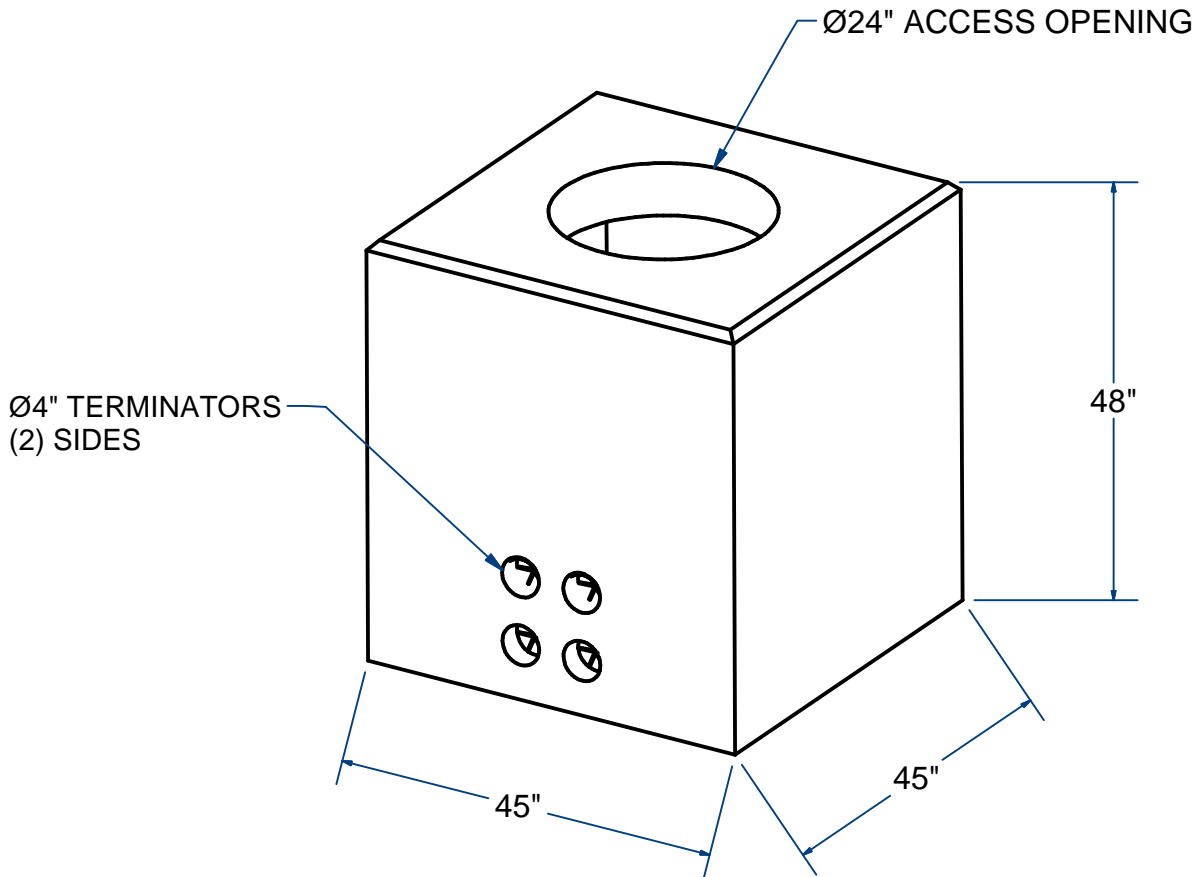
334 TREMONT STREET

HARWICH, MA

36 GREAT WESTERN ROAD

NOTES:

1.) OPTIONAL: FRAME & COVER



METER PIT 45" X 45"

24" ACCESS OPENING

H10

ITEM# MP45X45

Wt. 3,200 Lbs

21-3.1

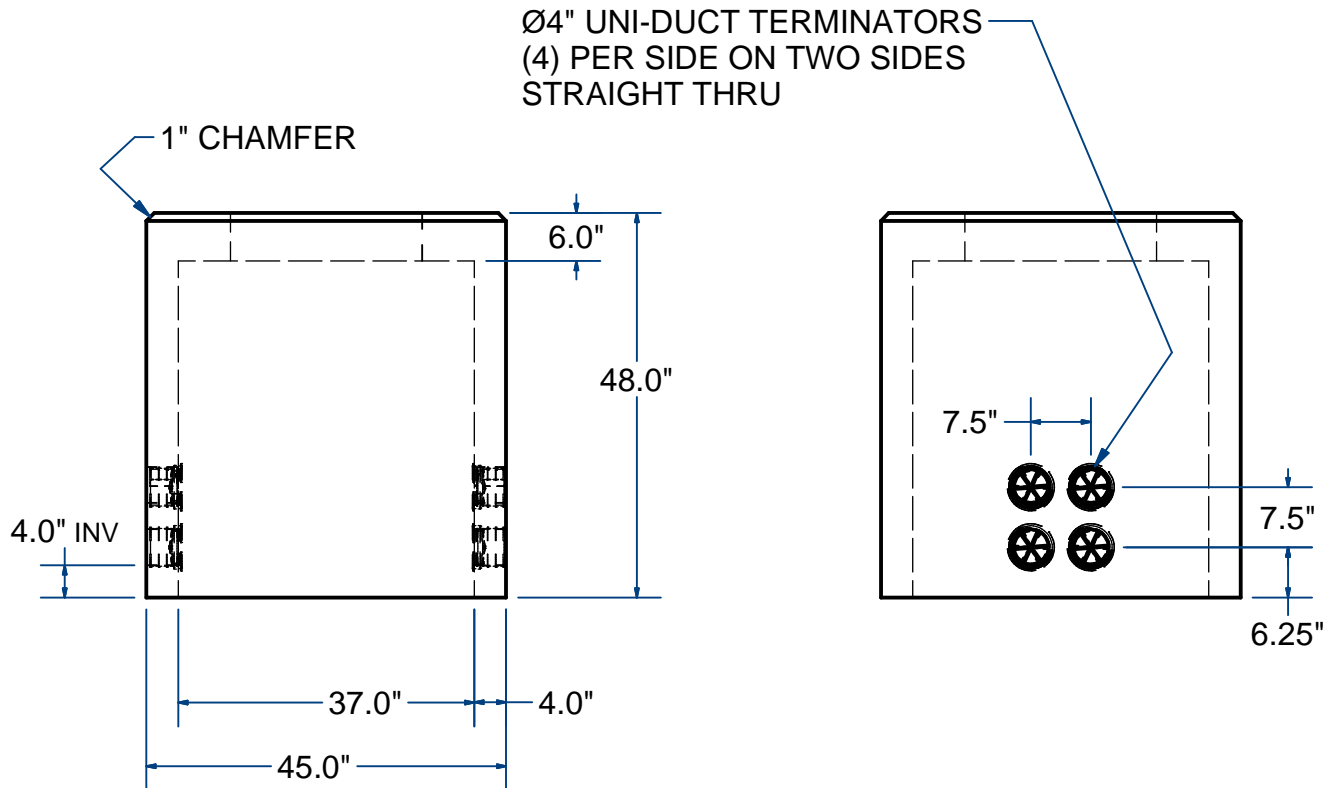
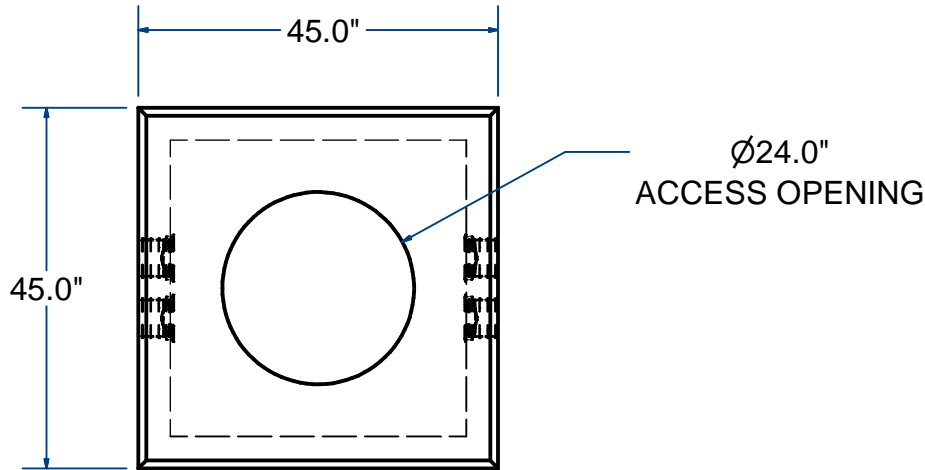
Sht 1 of 2

ACME-SHOREY

PRECAST CONCRETE PRODUCTS

NOTES:

1.) OPTIONAL: FRAME & COVER



NAME: METER PIT 45" X 45" - (H10)

H-20

ITEM# MP45X45

Concrete Minimum Strength: 4,000 p.s.i. at 28 days
Steel Reinforcement: ASTM A615, Grade 60
Design Loading: standard units - AASHTO - H10

WEIGHT 3,200

Lbs

H

DATE: 1-27-2021

Ch 21

Pg 3.1

Sht 2 of 2