

ACME-SHOREY

PRECAST CONCRETE PRODUCTS

WWW.ACME-SHOREY.COM

PHONE (508) 548-9607

FAX (508) 548-1664

CARVER, MA

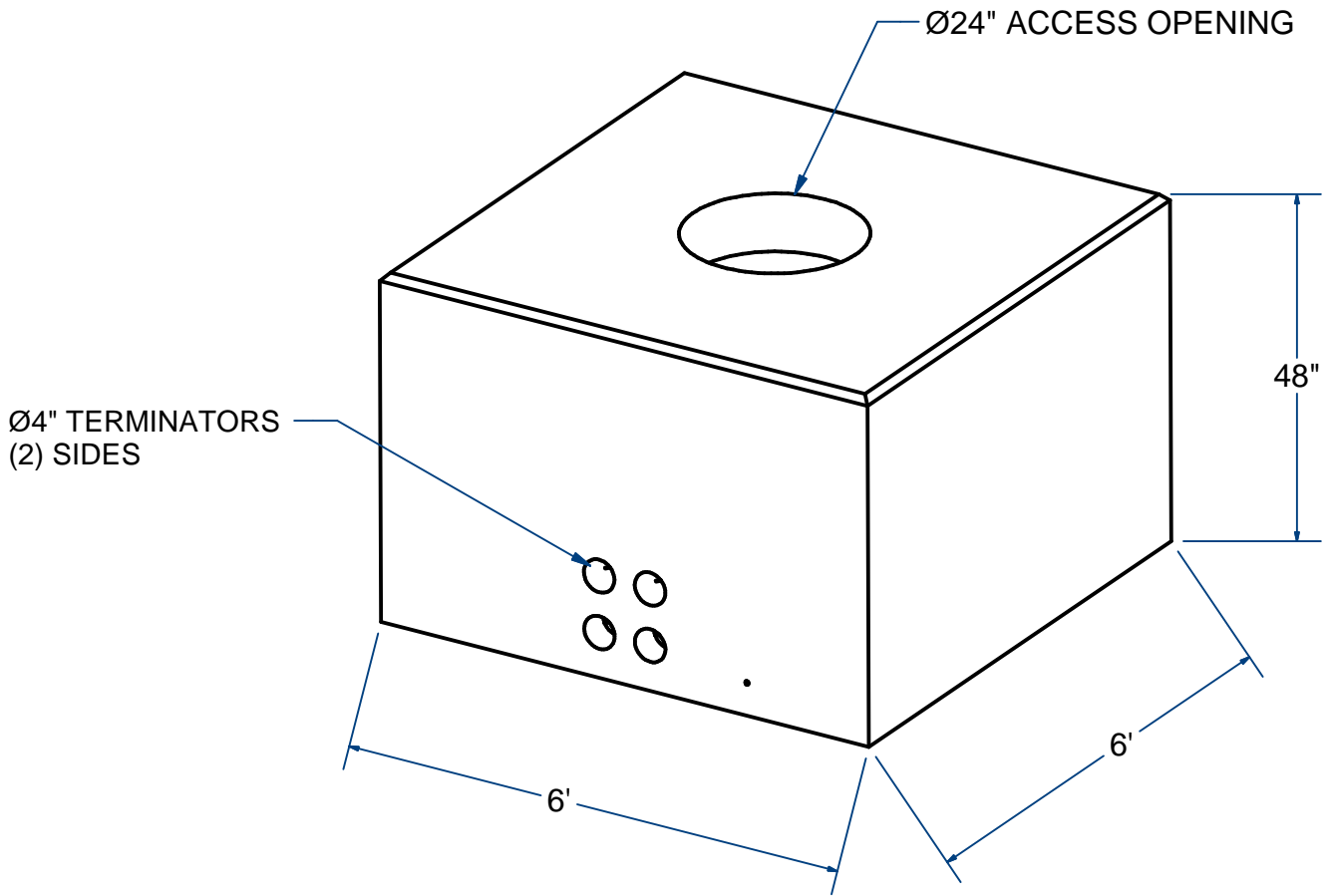
334 TREMONT STREET

HARWICH, MA

36 GREAT WESTERN ROAD

NOTES:

1.) OPTIONAL : FRAME & COVER



METER PIT 6' X 6'

24" ACCESS OPENING

H20

ITEM# MP6X62

Wt. 8,900 Lbs

21-4.2

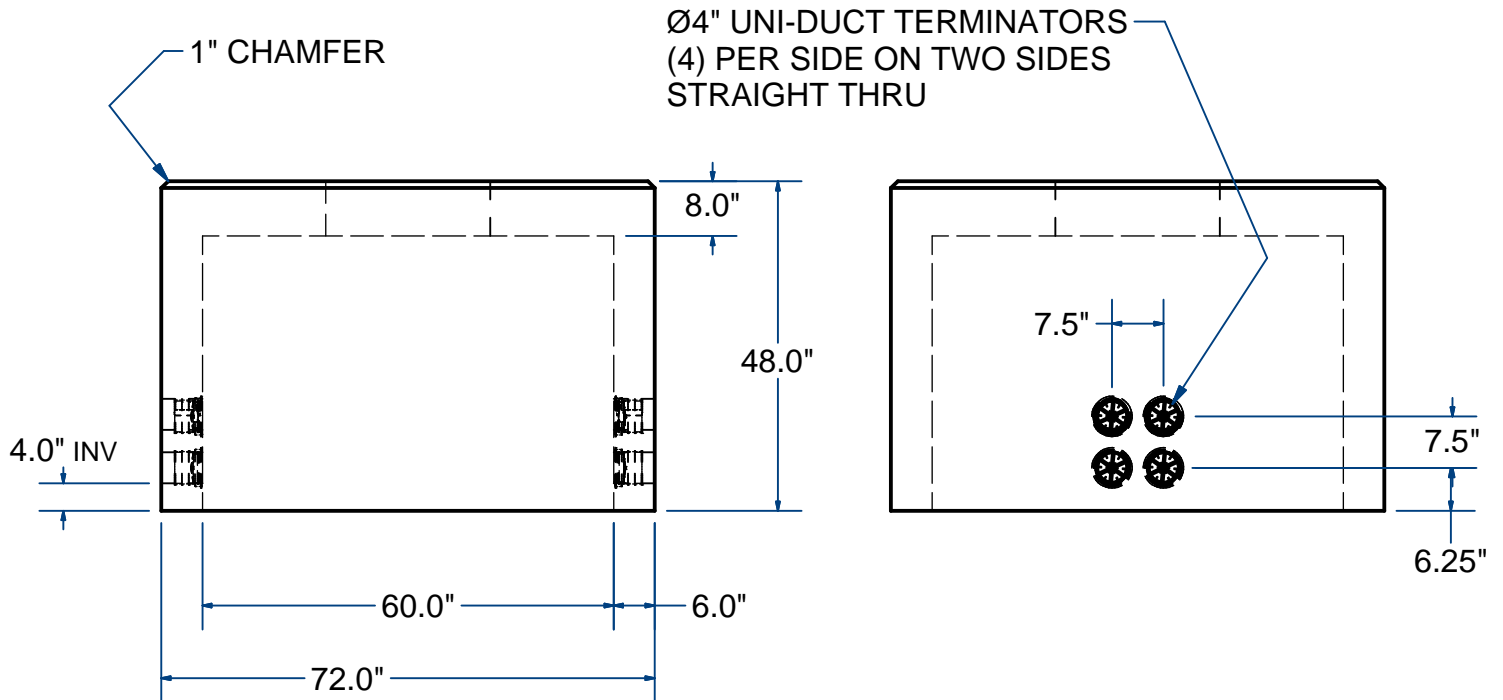
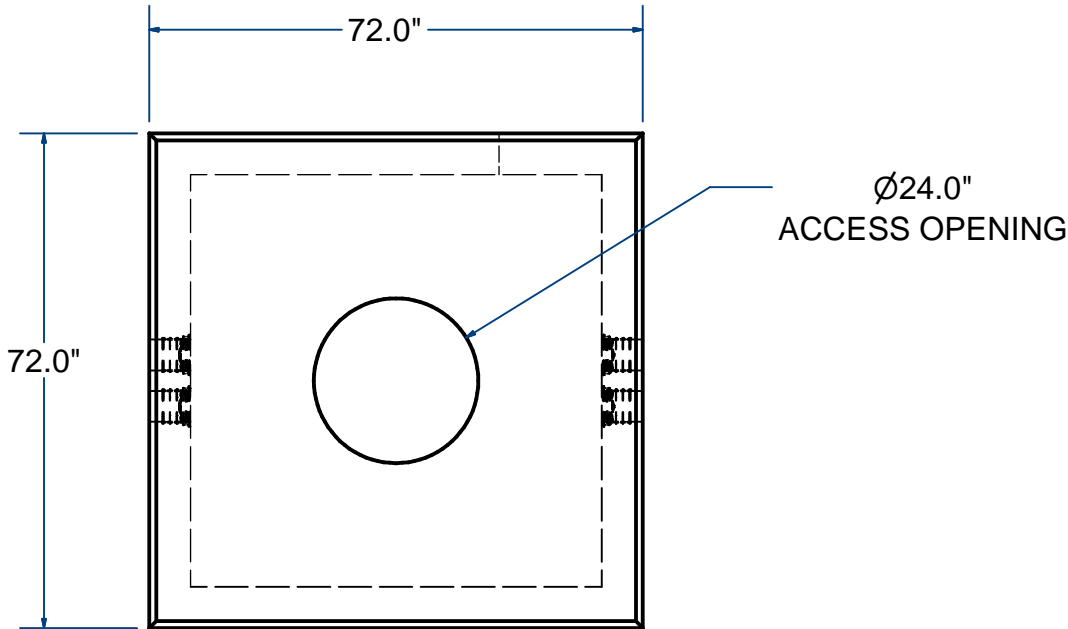
Sht 1 of 2

ACME-SHOREY

PRECAST CONCRETE PRODUCTS

NOTES:

1.) OPTIONAL : FRAME & COVER



NAME: METER PIT 6' X 6'

H-20

ITEM# MP6X62

Concrete Minimum Strength: 5,000 p.s.i. at 28 days
 Steel Reinforcement: ASTM A615, Grade 60
 Design Loading: standard units - AASHTO - H20

WEIGHT 8,900

Lbs

H

DATE: 1-27-2021

Ch 21

Pg 4.2

Sht 2 of 2