

ACME-SHOREY

PRECAST CONCRETE PRODUCTS

WWW.ACME-SHOREY.COM

PHONE (508) 548-9607

FAX (508) 548-1664

CARVER, MA

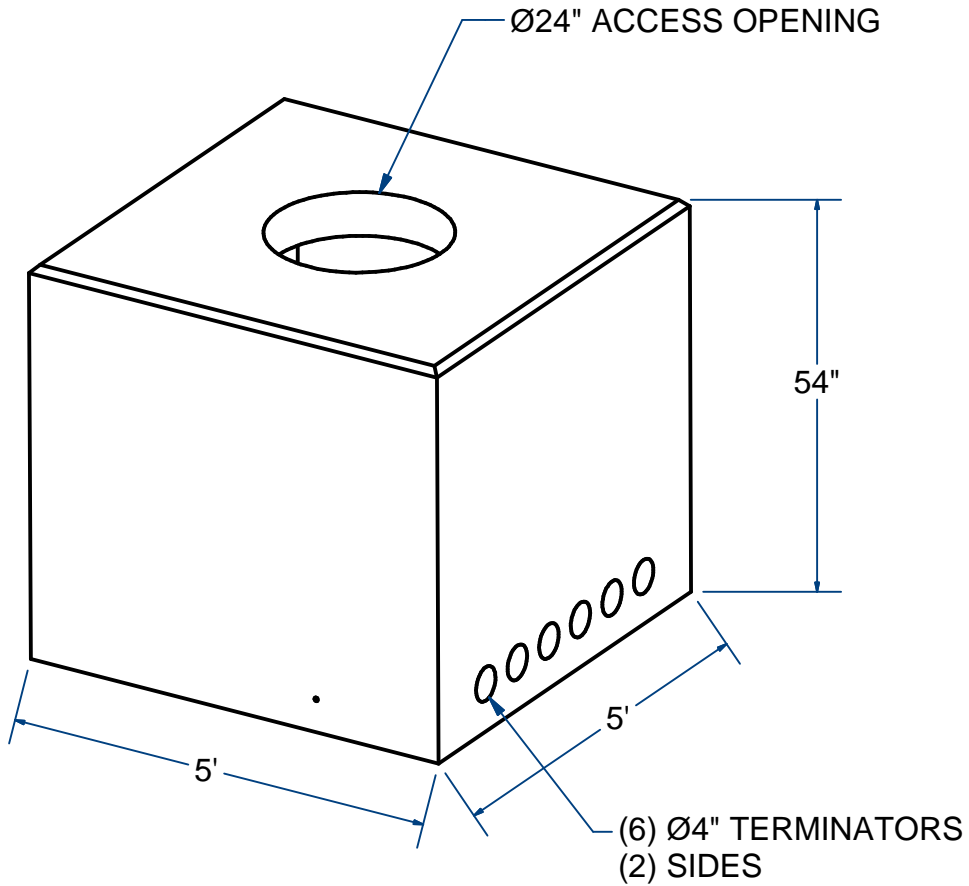
334 TREMONT STREET

HARWICH, MA

36 GREAT WESTERN ROAD

NOTES:

1.) OPTIONAL - FRAME & COVER



METER PIT 5' X 5'

H20

PROVINCETOWN SPEC

ITEM# MPPT5X52

Wt. 6,900 Lbs

21-2.1

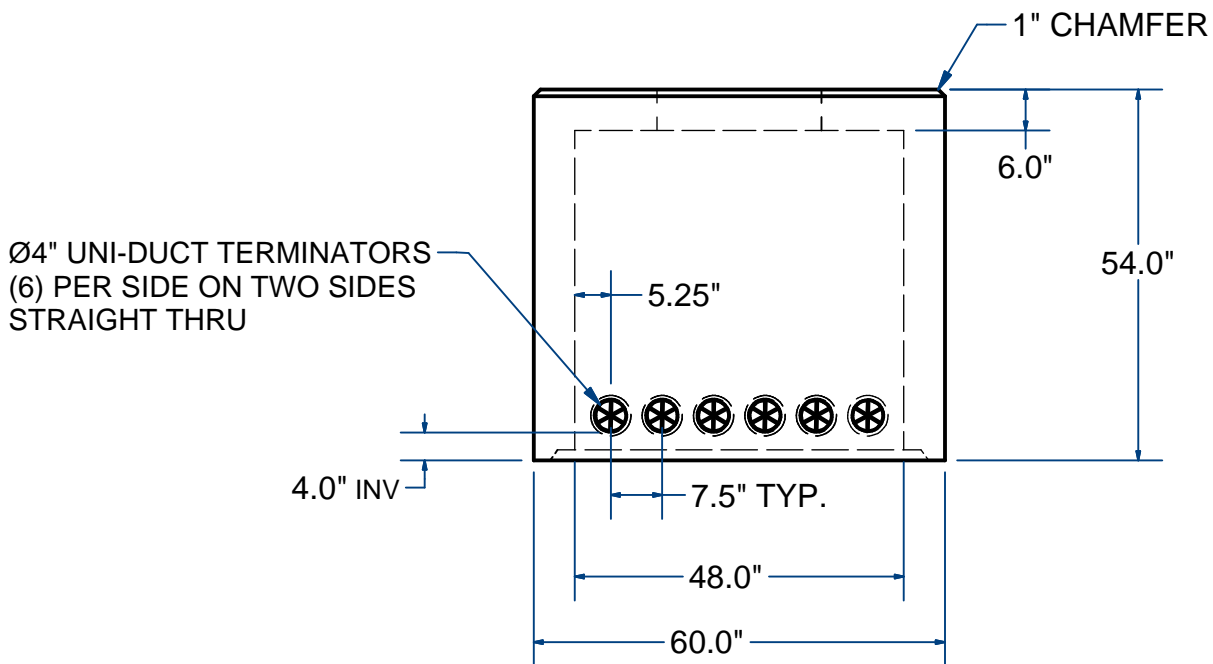
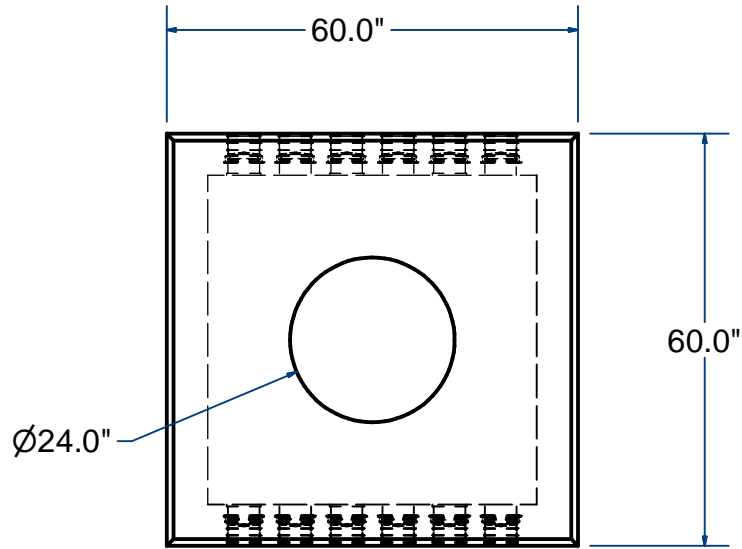
Sht 1 of 2

ACME-SHOREY

PRECAST CONCRETE PRODUCTS

NOTES:

1.) OPTIONAL - FRAME & COVER



NAME: METER PIT 5' X 5' PROVINCETOWN SPEC

H-20

ITEM# MPPT5X52

Concrete Minimum Strength: 5,000 p.s.i. at 28 days
 Steel Reinforcement: ASTM A615, Grade 60
 Design Loading: standard units - AASHTO - H20

WEIGHT 6,900 Lbs

H

DATE: 2-17-2021