

ACME-SHOREY

PRECAST CONCRETE PRODUCTS

WWW.ACME-SHOREY.COM

PHONE (508) 548-9607

FAX (508) 548-1664

CARVER, MA

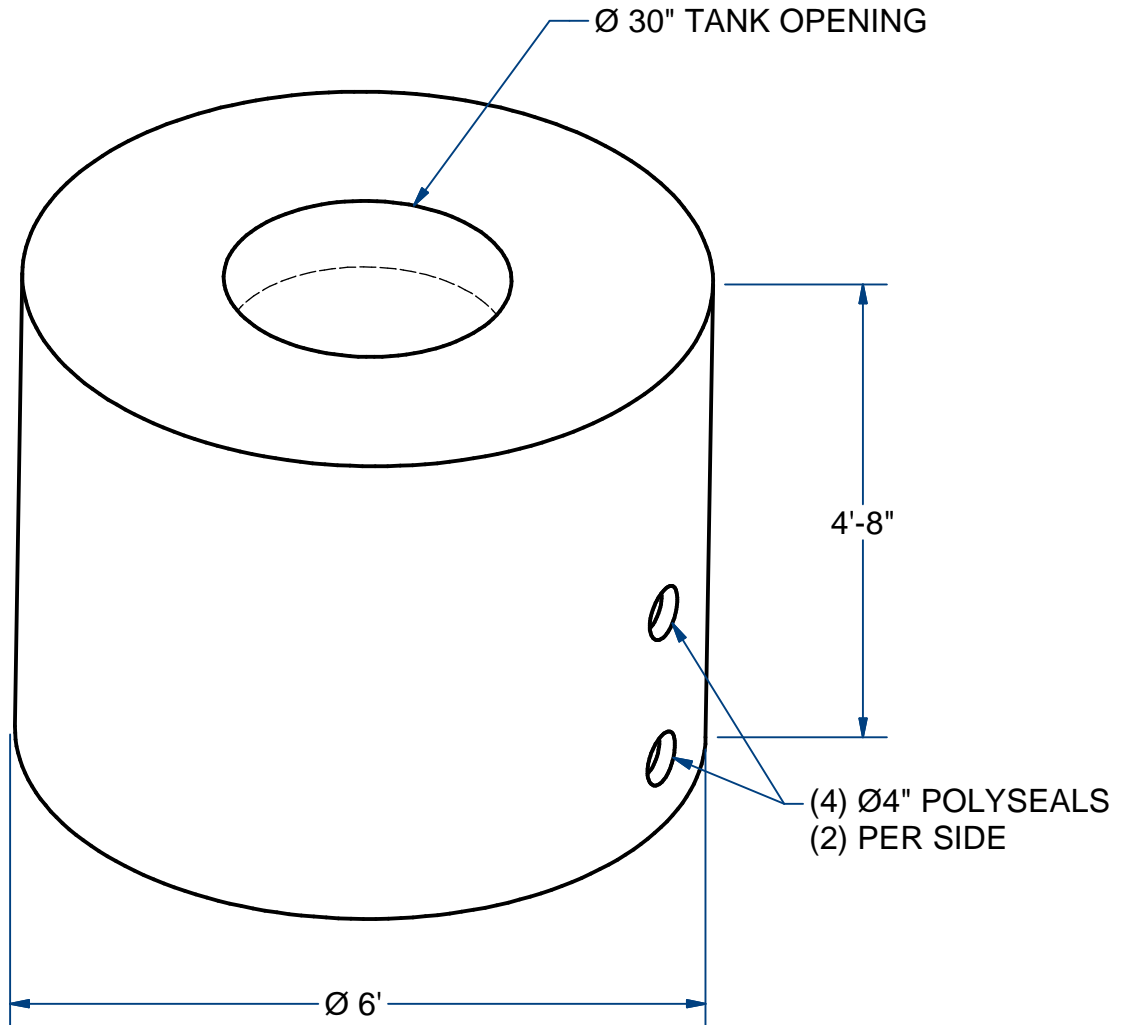
334 TREMONT STREET

HARWICH, MA

36 GREAT WESTERN ROAD

NOTES:

1.) OPEN BOTTOM DESIGN.



6' dia X 4' - (600)

METER PIT-WELL PIT

H2O

ITEM# MPWP6X42

Wt. 5,000 Lbs

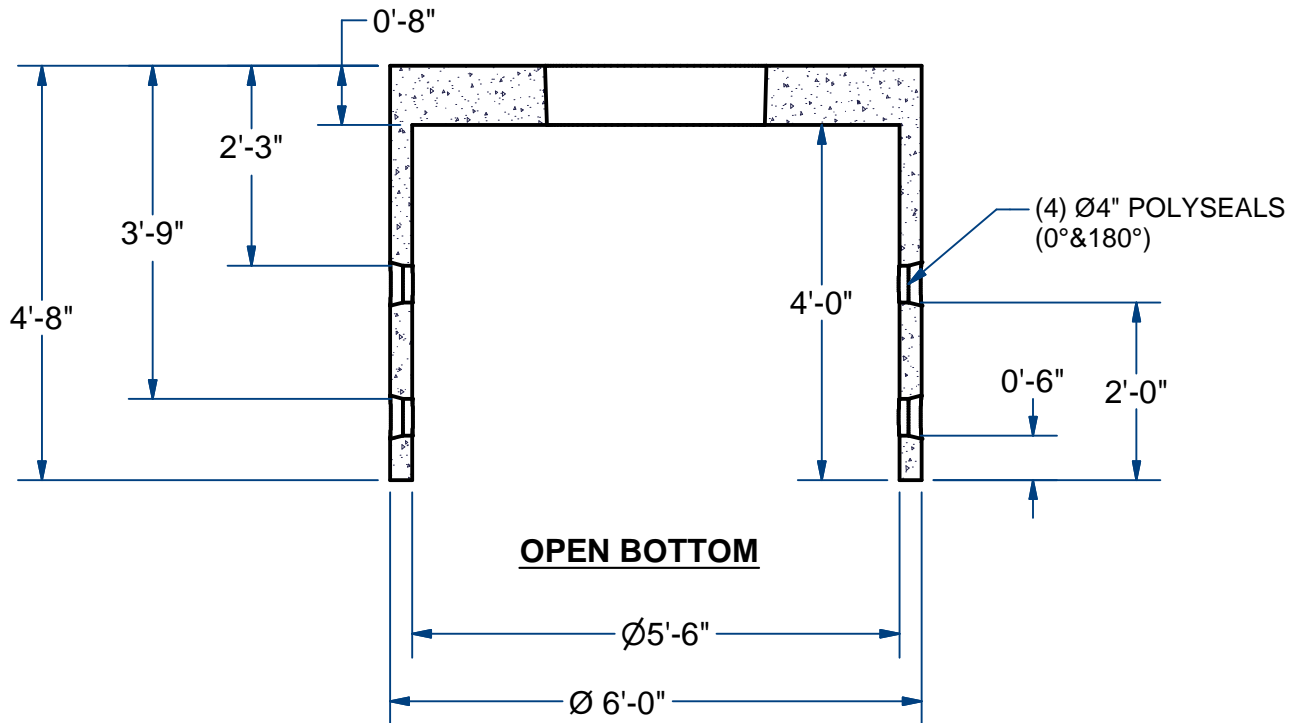
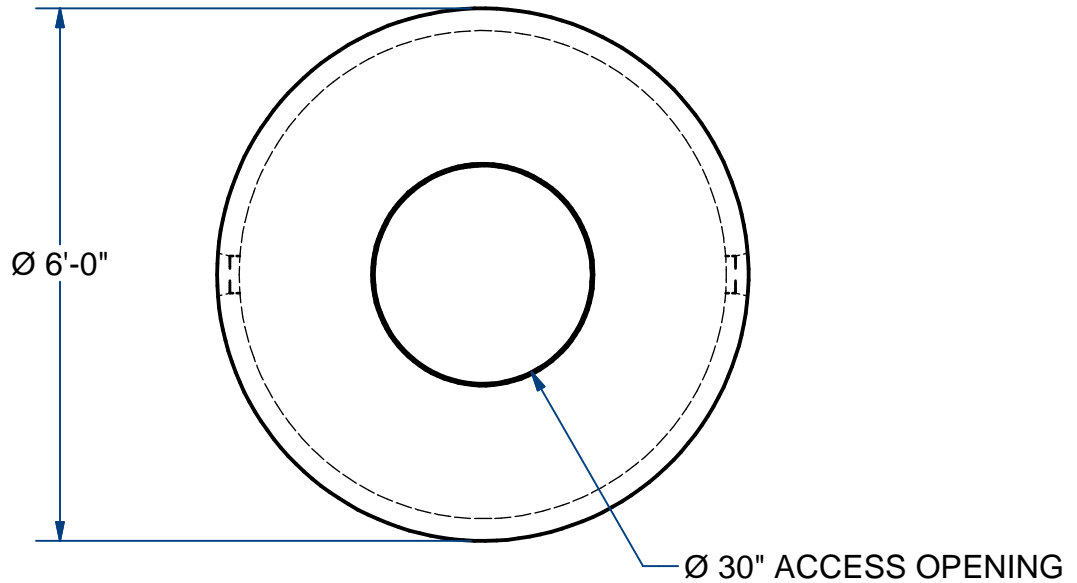
21-1.1

Sht 1 of 2

ACME-SHOREY

PRECAST CONCRETE PRODUCTS

NOTES:
1.) OPEN BOTTOM DESIGN.



NAME: METER PIT - WELL PIT 6'dia X 4' (600)

H-20

ITEM# MPWP6X42

Concrete Minimum Strength: 5,000 p.s.i. at 28 days
Steel Reinforcement: ASTM A615, Grade 60
Design Loading: standard units - AASHTO - H20

WEIGHT 5,000 Lbs

H

DATE: 2-17-2021

Ch 21 Pg 1.1 Sht 2 of 2