

# ACME-SHOREY

PRECAST CONCRETE PRODUCTS

WWW.ACME-SHOREY.COM

PHONE (508) 548-9607

FAX (508) 548-1664

CARVER, MA

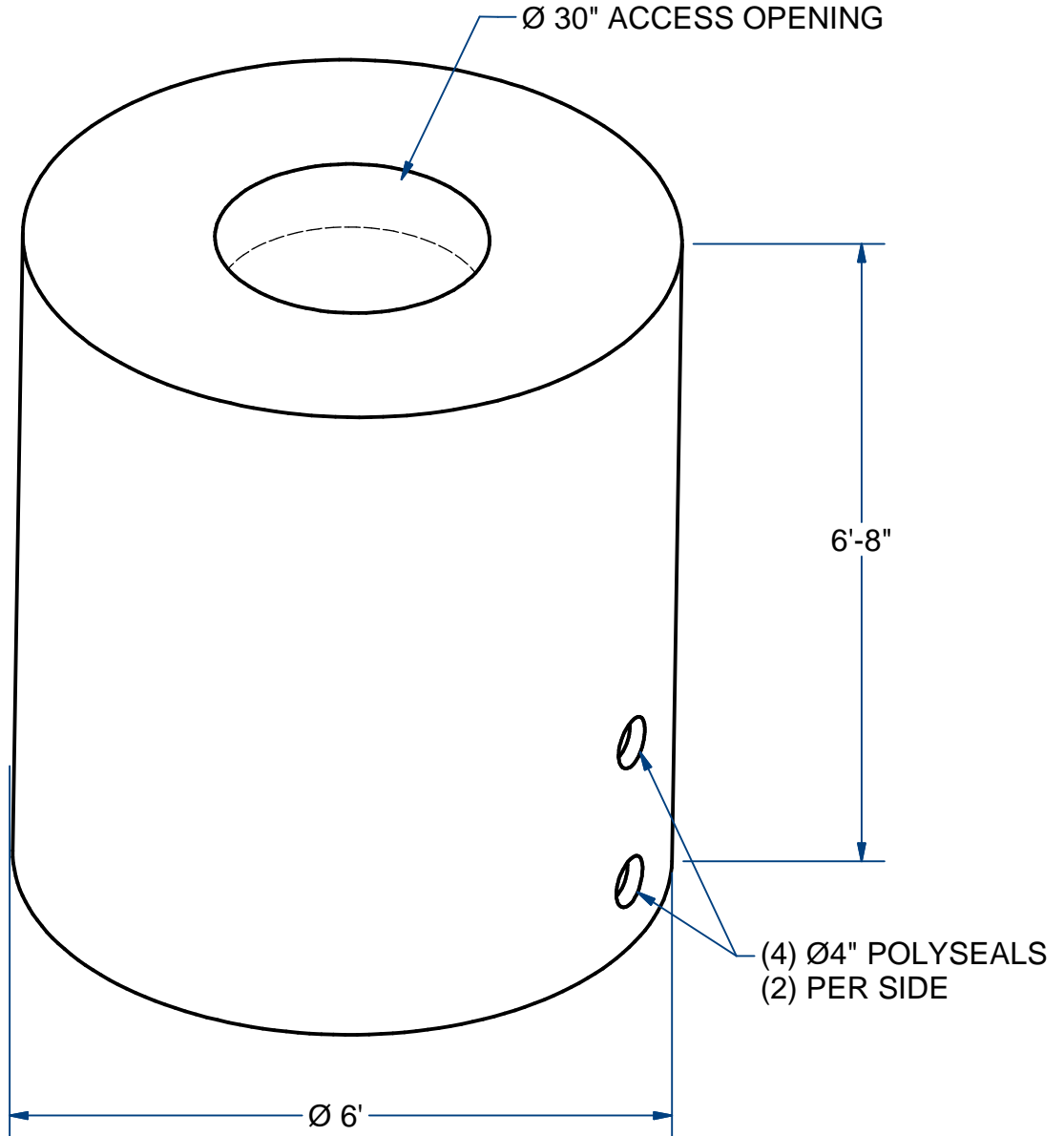
334 TREMONT STREET

HARWICH, MA

36 GREAT WESTERN ROAD

NOTES:

1.) OPEN BOTTOM DESIGN



**6'dia X 6' - (1000)**

METER PIT - WELL PIT

H2O

ITEM# MPWP6X62

Wt. 6,410 Lbs

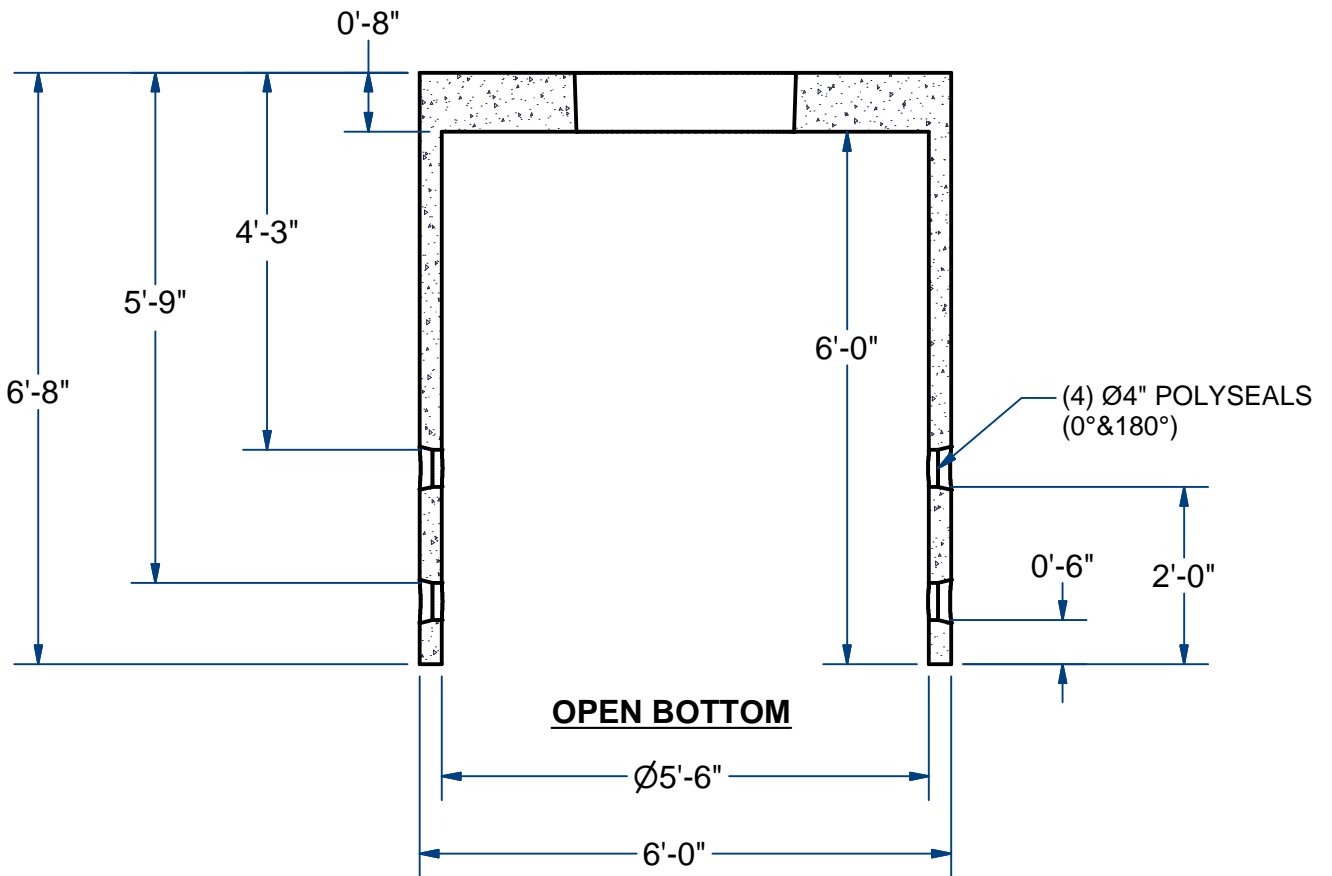
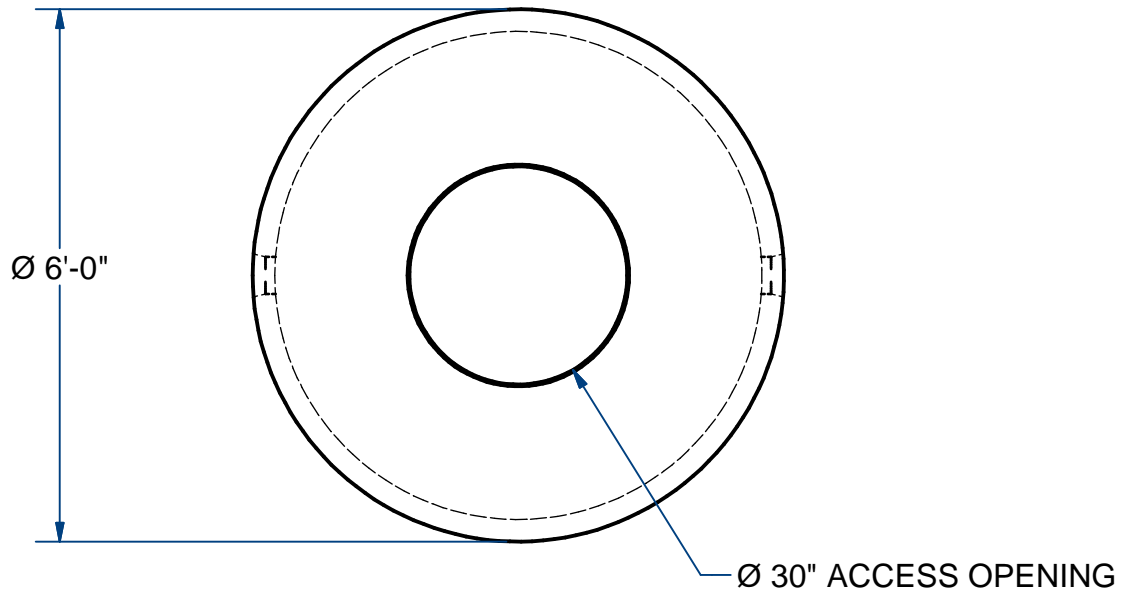
21-1.2

Sht 1 of 2

# ACME-SHOREY

PRECAST CONCRETE PRODUCTS

NOTES:  
1.) OPEN BOTTOM DESIGN



**NAME: METER PIT - WELL PIT 6'dia X 6' - (1000) H-20**

**ITEM# MPWP6X62**

Concrete Minimum Strength: 5,000 p.s.i. at 28 days  
Steel Reinforcement: ASTM A615, Grade 60  
Design Loading: standard units - AASHTO - H20

WEIGHT 6,410 Lbs

H

DATE: 2-17-2021

Ch 21 Pg 1.2 Sht 2 of 2