

# ACME-SHOREY

PRECAST CONCRETE PRODUCTS

WWW.ACME-SHOREY.COM

PHONE (508) 548-9607

FAX (508) 548-1664

CARVER, MA

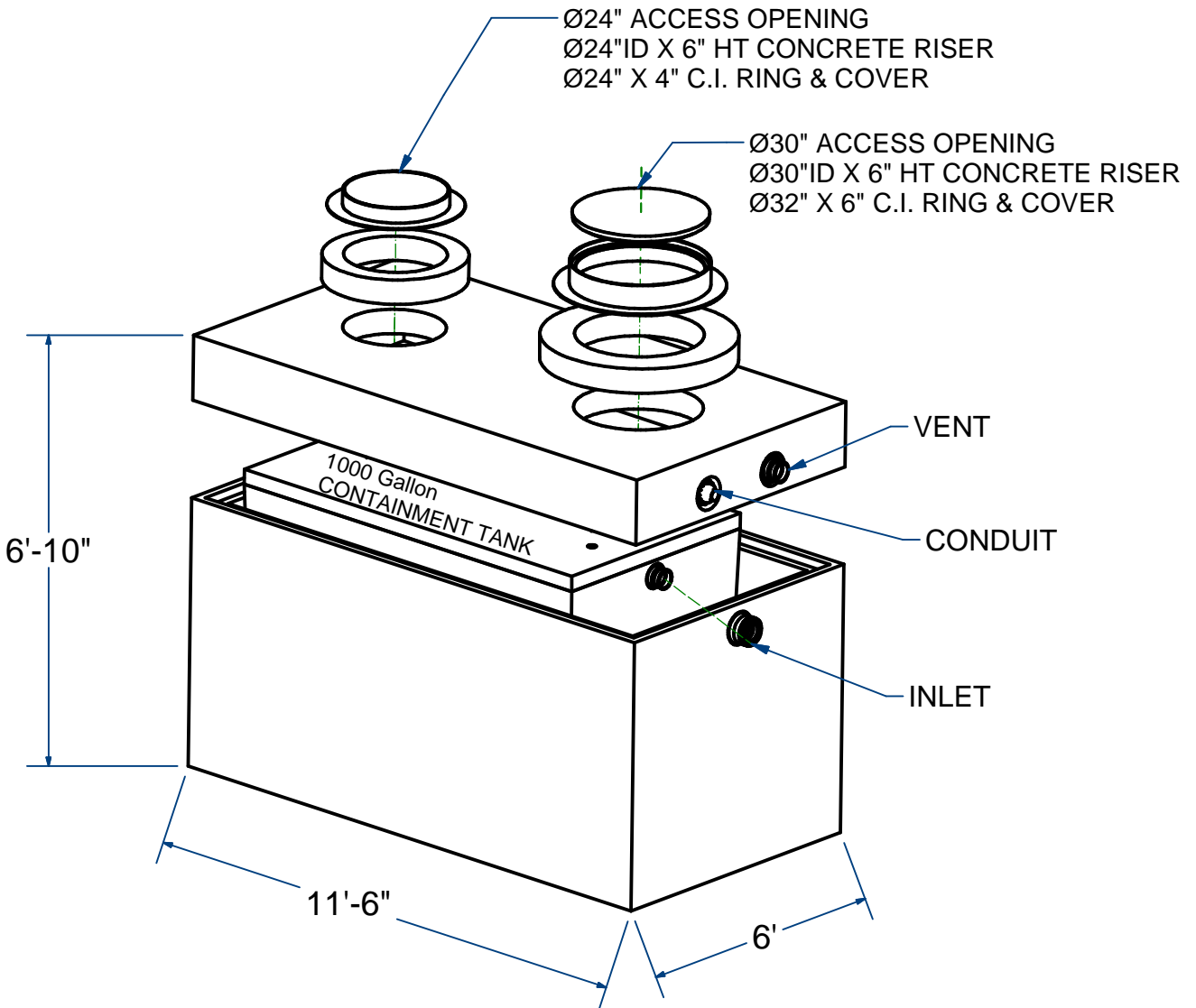
334 TREMONT STREET

HARWICH, MA

36 GREAT WESTERN ROAD

## NOTES:

- 1.) SEAM SEALED WITH FLEXIBLE BUTYL RUBBER SEALANT.
- 2.) **INCLUDED IN PACKAGE;**
  - (3) FLOATS
  - (3) TANK ALERTS (ALARMS) VISUAL & AUDIO



## NON HAZARDOUS INDUSTRIAL WASTEWATER TANK

1000 GALLON CONTAINMENT

H2O

ITEM# NHWWHT102

Wt. 33,850 Lbs

22-1.2

Sht 1 of 2

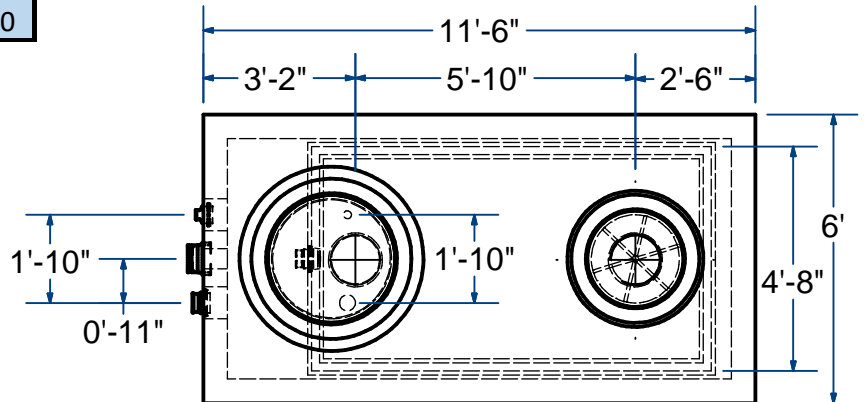
# ACME-SHOREY

PRECAST CONCRETE PRODUCTS

NHWWHT102	22-1.2		
Each Tank	Descr.	Ht.	Wt (Lbs)
NH102-IT10M	Inner Tank	5'-2"	8,850
NH102-OT152	Outer Tank	6'-10"	25,000
			33,850

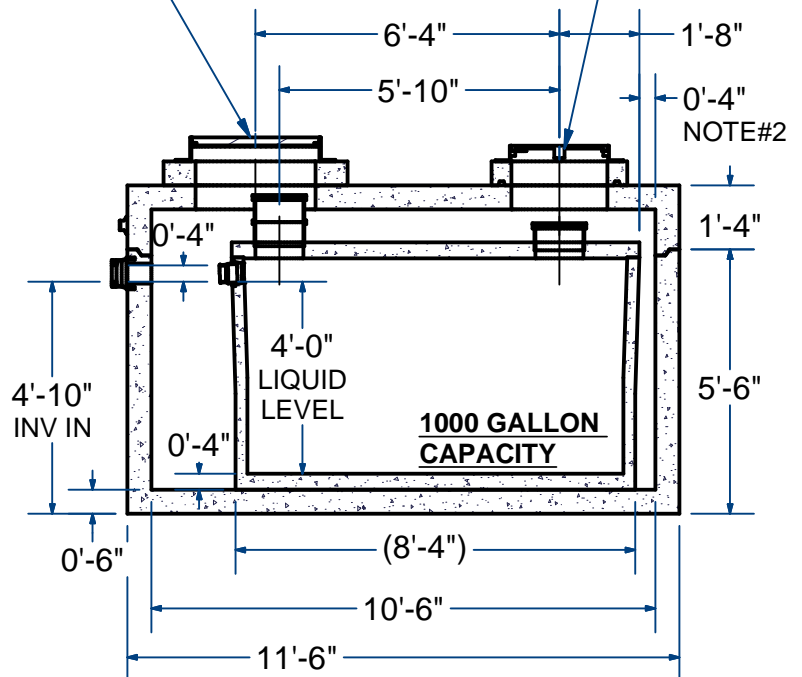
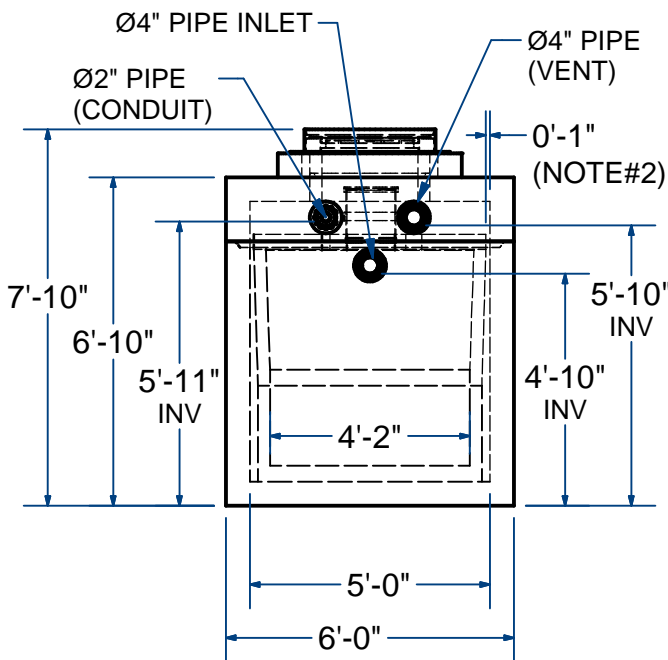
**NOTES:**

- 1.) SEAM SEALED WITH FLEXIBLE BUTYL RUBBER SEALANT.
- 2.) POSITION INNER TANK AS SHOWN.
- 3.) **INCLUDED IN PACKAGE;**  
 (3) FLOATS  
 (3) TANK ALERTS (ALARMS)  
 VISUAL & AUDIO



- (1) Ø24" I.D. H-20 RISER
- (1) Ø24" X 4" CAST IRON RING & COVER -Labeled (NON-HAZARDOUS INDUSTRIAL WASTEWATER)

- (1) Ø30" I.D. H-20 RISER
- (1) Ø32" X 6" CAST IRON RING & COVER -Labeled (NON-HAZARDOUS INDUSTRIAL WASTEWATER)



**NAME:** NON HAZARDOUS INDUSTRIAL WASTEWATER TANK  
(1000 Gallon STORAGE CAPACITY)

**H-20**

**ITEM# NHWWHT102**

Concrete Minimum Strength: 5,000 p.s.i. at 28 days  
 Steel Reinforcement: ASTM A615, Grade 60  
 Design Loading: standard units - AASHTO - H20

WEIGHT 33,850 Lbs

C

DATE: 6-18-23