

ACME-SHOREY

PRECAST CONCRETE PRODUCTS

WWW.AC MeshOREY.COM

PHONE (508) 548-9607

FAX (508) 548-1664

CARVER, MA

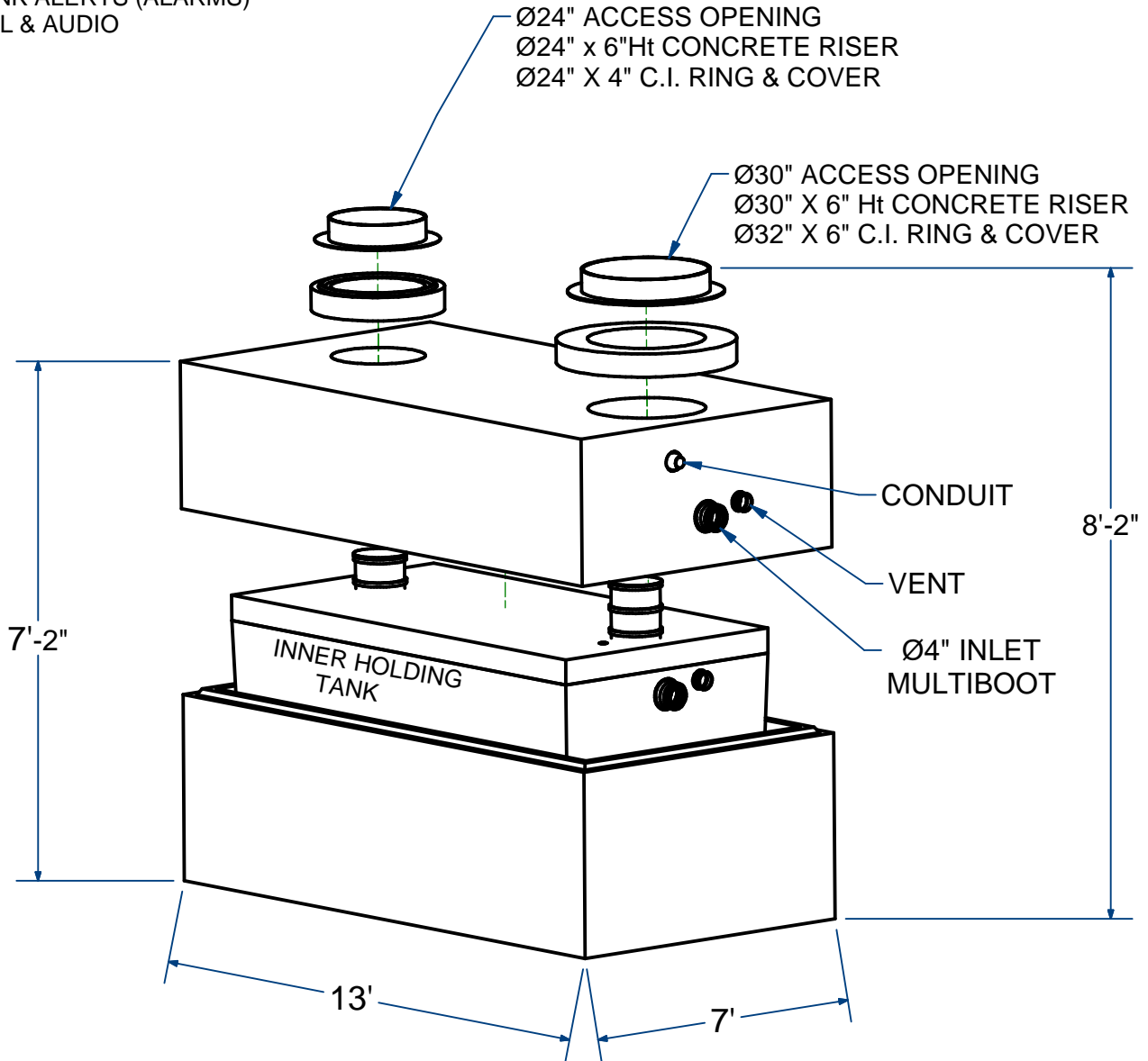
334 TREMONT STREET

HARWICH, MA

36 GREAT WESTERN ROAD

NOTES:

- 1.) SEAM SEALED WITH FLEXIBLE BUTYL RUBBER SEALANT.
- 2.) **INCLUDED IN PACKAGE:**
 - (3) FLOATS
 - (3) TANK ALERTS (ALARMS) VISUAL & AUDIO



NON HAZARDOUS INDUSTRIAL WASTEWATER TANK

1500 GALLON CONTAINMENT

H2O

ITEM# NHWWHT152

Wt. 44,125 Lbs

22-1.3

Sht 1 of 2

ACME-SHOREY

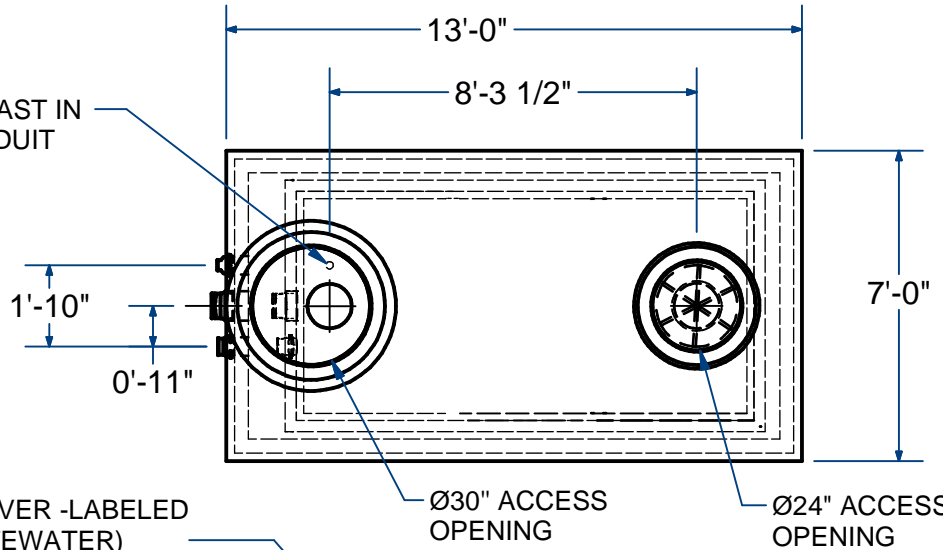
PRECAST CONCRETE PRODUCTS

NHWWHT152	22-1.3		
Each Tank	Descr.	Ht.	Wt (Lbs)
NH152-IT15M	Inner Tank	5'-8"	12,625
NH152-OT252	Outer Tank	7'-2"	31,500
			44,125

NOTES:

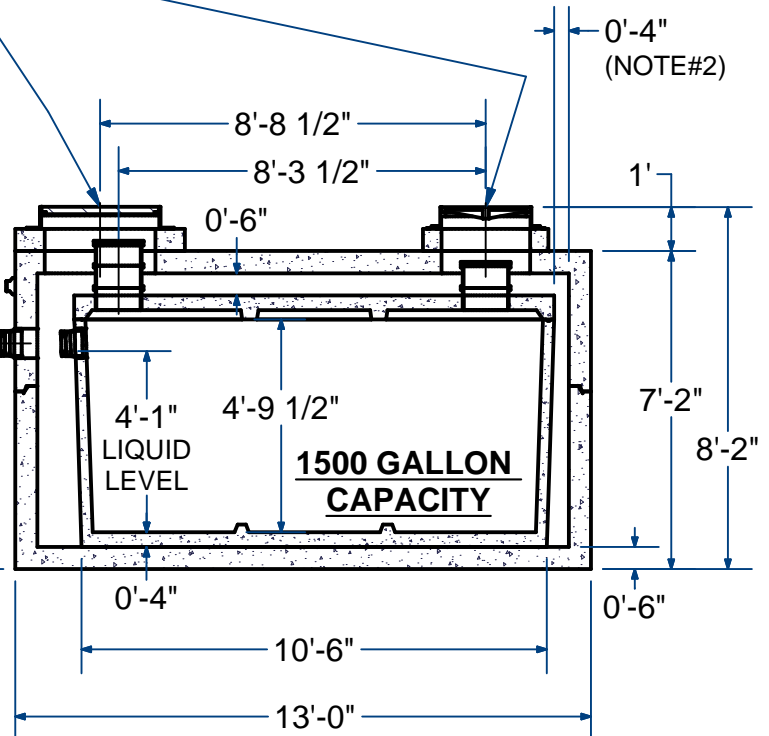
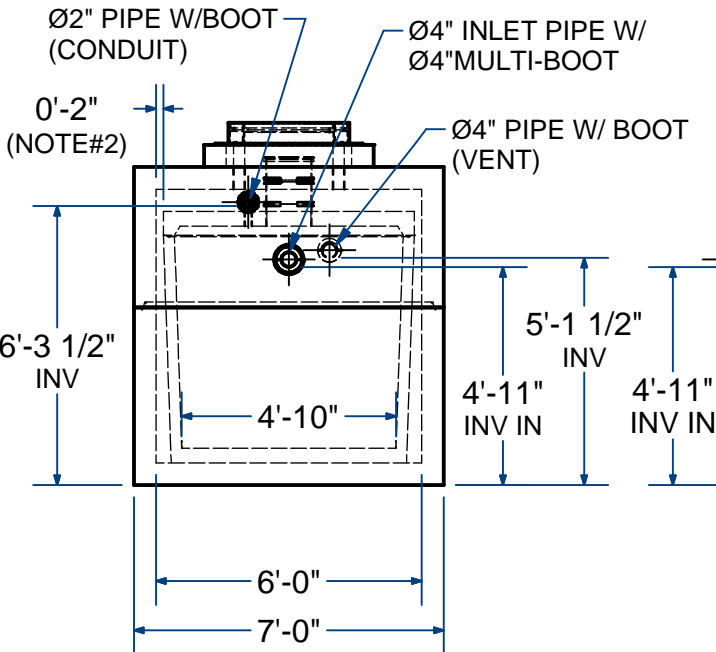
- 1.) SEAM SEALED WITH FLEXIBLE BUTYL RUBBER SEALANT.
- 2.) POSITION INNER TANK AS SHOWN.
- 3.) **INCLUDED IN PACKAGE:**
 - (3) FLOATS
 - (3) TANK ALERTS (ALARMS) VISUAL & AUDIO

Ø2" P.V.C. COUPLING CAST IN IHT TOP FOR ELE. CONDUIT



- (1) Ø24" I.D. X 6"HT RISER
- (1) Ø24" X 4"HT CAST IRON RING & COVER -LABELED (NON-HAZARDOUS INDUSTRIAL WASTEWATER)

- (1) Ø30" I.D. X 6" RISER
- (1) Ø32" X 6" CAST IRON RING & COVER -LABELED (NON-HAZARDOUS INDUSTRIAL WASTEWATER)



NAME: NON HAZARDOUS INDUSTRIAL WASTE WATER TANK
(1500 Gallon STORAGE CAPACITY)

H-20

ITEM# NHWWHT152

Concrete Minimum Strength: 5,000 p.s.i. at 28 days
Steel Reinforcement: ASTM A615, Grade 60
Design Loading: standard units - AASHTO - H20

WEIGHT 44,125 Lbs

C

DATE: 4-18-23

Ch 22 Pg 1.3 Sht 1 of 2