

# ACME-SHOREY

PRECAST CONCRETE PRODUCTS

WWW.ACME-SHOREY.COM

PHONE (508) 548-9607

FAX (508) 548-1664

CARVER, MA

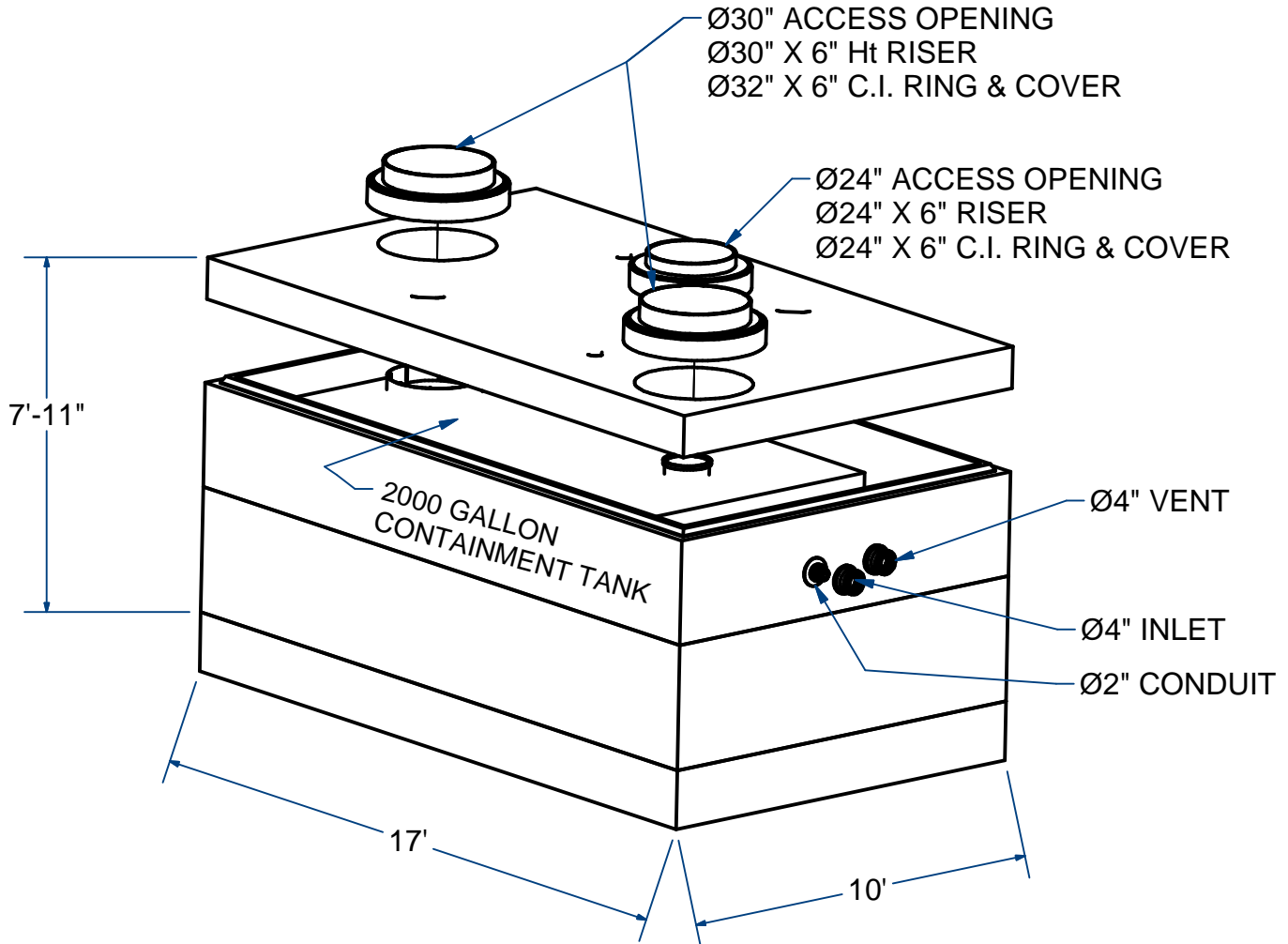
334 TREMONT STREET

HARWICH, MA

36 GREAT WESTERN ROAD

## NOTES:

- 1.) SEAM SEALED WITH FLEXIBLE BUTYL RUBBER SEALANT.
- 2.) **INCLUDED IN PACKAGE;**
  - (3) FLOATS
  - (3) TANK ALERTS (ALARMS) VISUAL & AUDIO



## NON HAZARDOUS INDUSTRIAL WASTEWATER TANK

2000 GALLON CONTAINMENT

H2O

ITEM# NHWWHT202

Wt. 87,625 Lbs

22-1.4

Sht 1 of 2

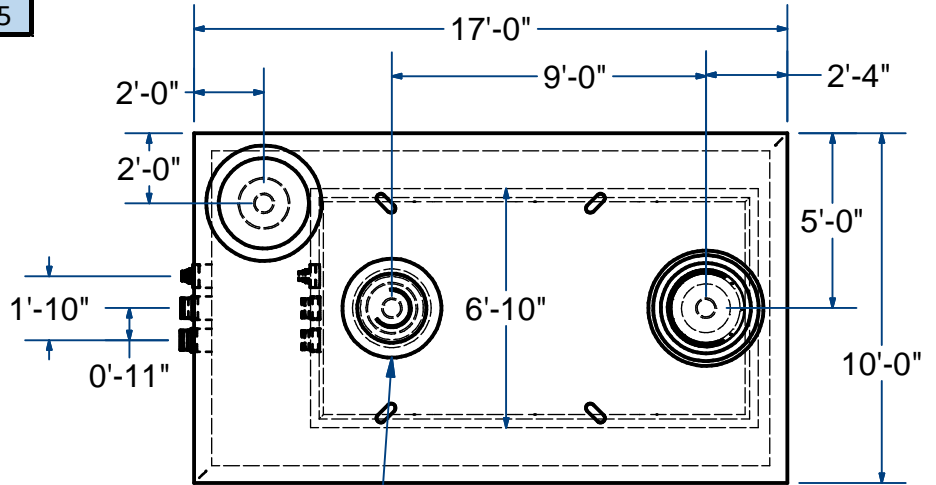
# ACME-SHOREY

PRECAST CONCRETE PRODUCTS

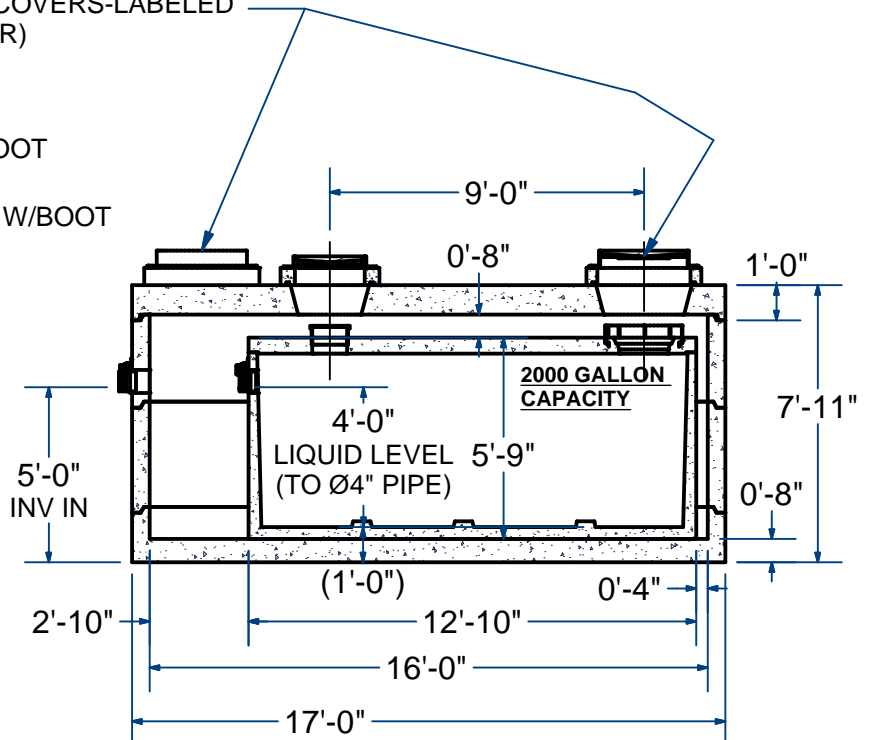
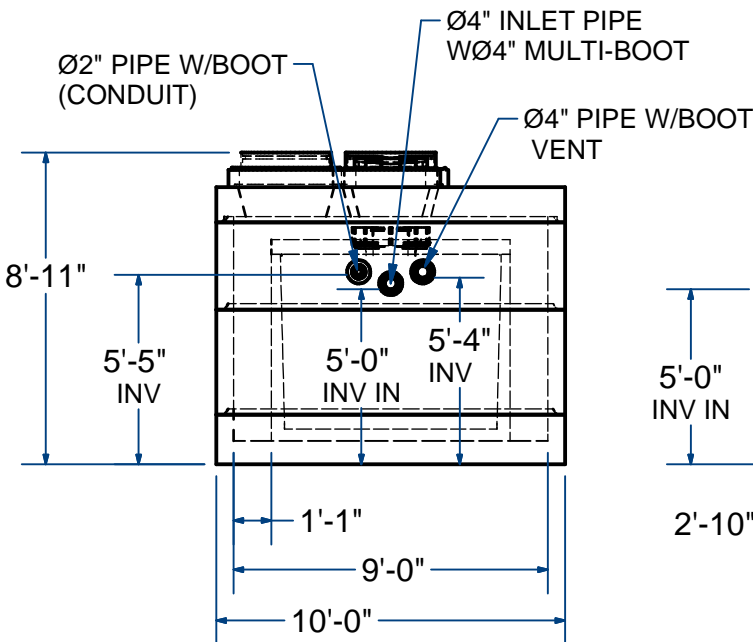
**NOTES:**

- 1.) SEAM SEALED WITH FLEXIBLE BUTYL RUBBER SEALANT.
- 2.) POSITION INNER TANK AS SHOWN.
- 3.) **INCLUDED IN PACKAGE:**
  - (3) FLOATS
  - (3) TANK ALERTS (ALARMS) VISUAL & AUDIO

NHWWHT202			
Each Tank	Descr.	Ht.	Wt (Lbs)
NH202-IT20M	Inner Tank	5'-9"	20,125
NH202-OT1006	Outer Tank	7'-11"	67,500
			87,625



- (1) Ø24" ID X 6" HT RISERS
- (1) ITEM# RCNHWW 244 CAST IRON RINGS & COVERS-LABELED (NON-HAZARDOUS INDUSTRIAL WASTEWATER)
- (2) Ø30" ID X 6" HT RISERS
- (2) ITEM# RCNHWW 326 CAST IRON RINGS & COVERS-LABELED (NON-HAZARDOUS INDUSTRIAL WASTEWATER)



**NAME:** NON HAZARDOUS WASTE WATER HOLDING TANK (2,000 GALLON STORAGE CAPACITY)

**H-20**

**ITEM# NHWWHT202**

Concrete Minimum Strength: 5,000 p.s.i. at 28 days  
 Steel Reinforcement: ASTM A615, Grade 60  
 Design Loading: standard units - AASHTO - H20

WEIGHT 87,625 Lbs

C

DATE: 7-12-23