

ACME-SHOREY

PRECAST CONCRETE PRODUCTS

WWW.ACMESHOREY.COM

PHONE (508) 548-9607

FAX (508) 548-1664

CARVER, MA

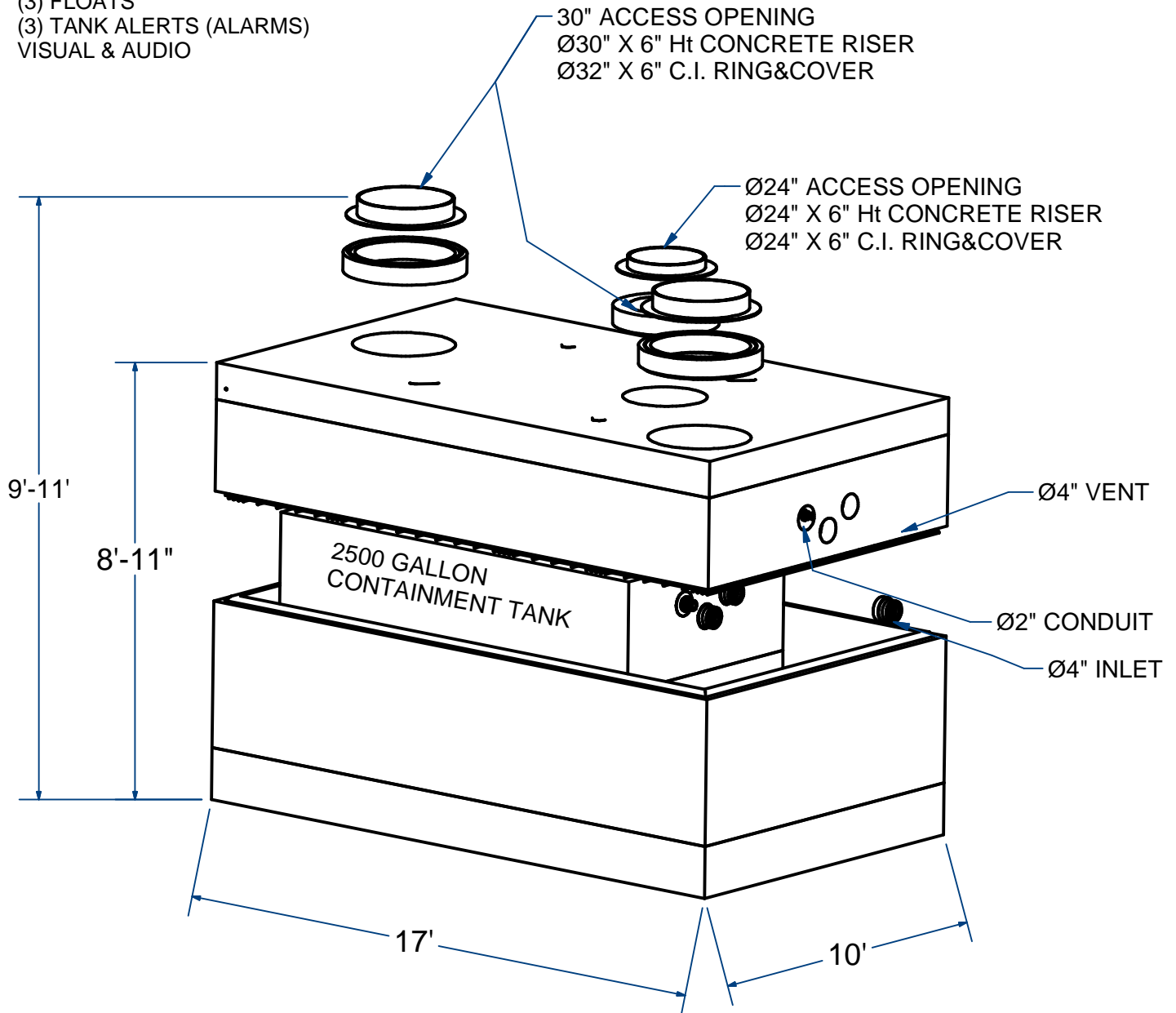
334 TREMONT STREET

HARWICH, MA

36 GREAT WESTERN ROAD

NOTES:

- 1.) SEAM SEALED WITH FLEXIBLE BUTYL RUBBER SEALANT.
- 2.) **INCLUDED IN PACKAGE;**
 - (3) FLOATS
 - (3) TANK ALERTS (ALARMS) VISUAL & AUDIO



NON HAZARDOUS INDUSTRIAL WASTEWATER TANK

2500 GALLON CONTAINMENT

H2O

ITEM# NHWWHT252

Wt. 90,750 Lbs

22-1.5

Sht 1 of 2

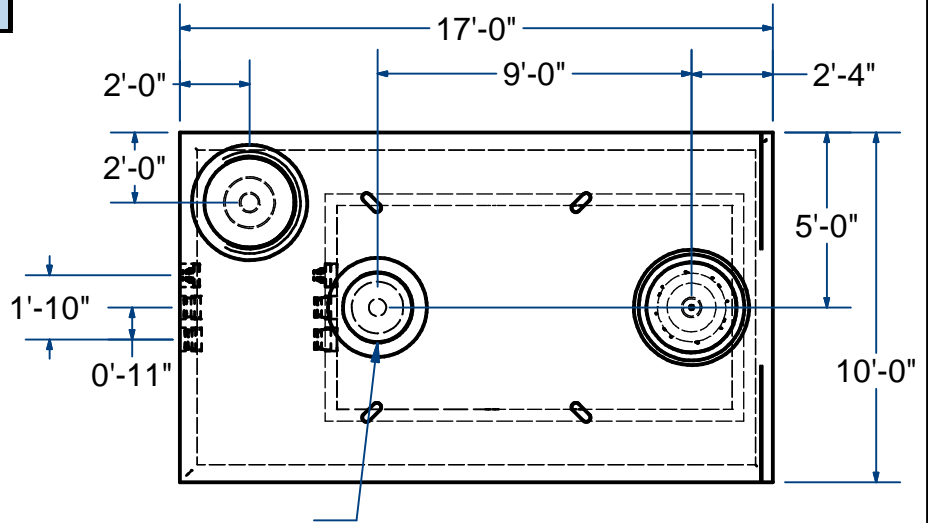
ACME-SHOREY

PRECAST CONCRETE PRODUCTS

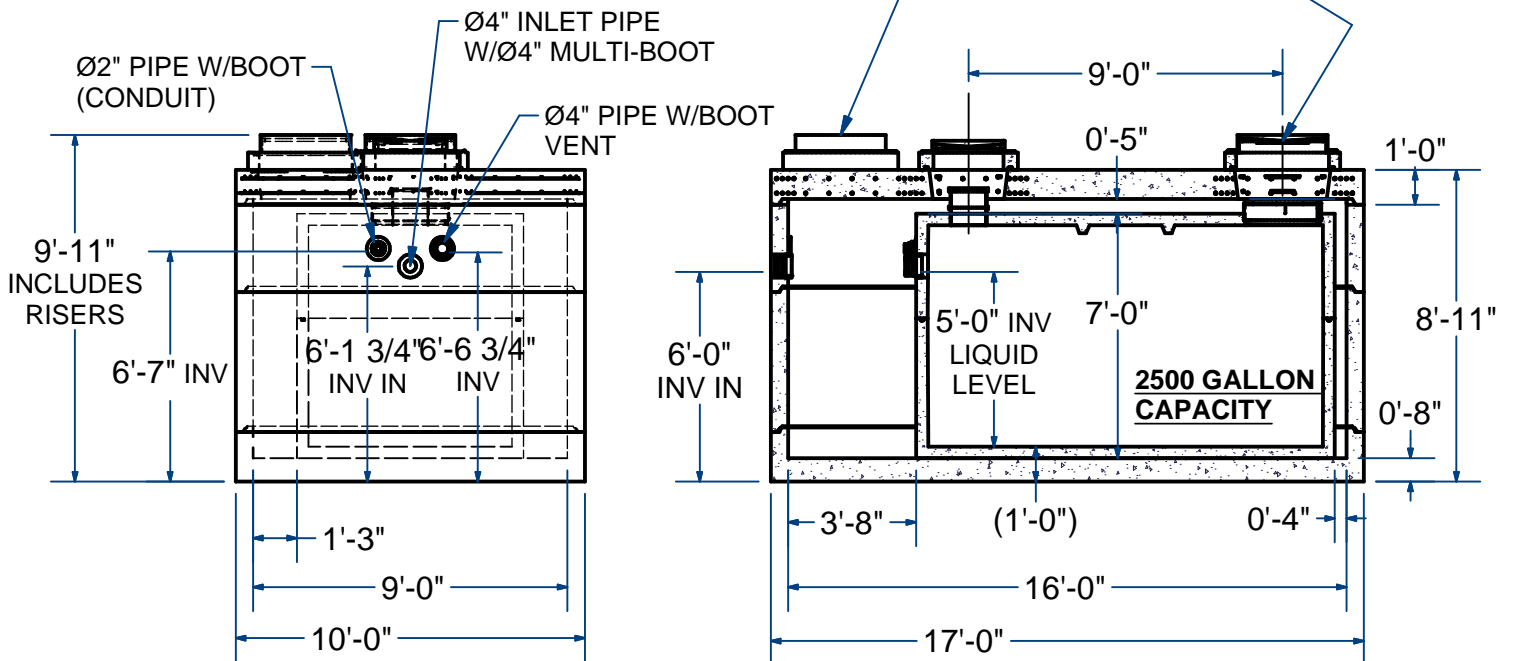
NHWWHT252	22-1.5		
Each Tank	Descr.	Ht.	Wt (Lbs)
NH252-IT25	Inner Tank	7'	20,250
NH252-OT1007	Outer Tank	8'-11"	70,500
			90,750

NOTES:

- 1.) SEAM SEALED WITH FLEXIBLE BUTYL RUBBER SEALANT.
- 2.) POSITION INNER TANK AS SHOWN.
- 3.) **INCLUDED IN PACKAGE:**
 (3) FLOATS
 (3) TANK ALERTS (ALARMS)
 VISUAL & AUDIO



- (1) Ø24" ID X 6" HT RISERS
- (1) ITEM# RCNHWW 244 CAST IRON RINGS & COVERS-LABELED (NON-HAZARDOUS INDUSTRIAL WASTEWATER)
- (2) Ø30" ID X 6" HT RISERS
- (2) ITEM# RCNHWW 326 CAST IRON RINGS & COVERS-LABELED (NON-HAZARDOUS INDUSTRIAL WASTEWATER)



NAME: NON HAZARDOUS WASTE WATER HOLDING TANK (2,500 GALLON STORAGE CAPACITY)

H-20

ITEM# NHWWHT252

Concrete Minimum Strength: 5,000 p.s.i. at 28 days
 Steel Reinforcement: ASTM A615, Grade 60
 Design Loading: standard units - AASHTO - H20

WEIGHT 90.750 Lbs

C

DATE: 7-10-23