

ACME-SHOREY

PRECAST CONCRETE PRODUCTS

WWW.ACMESHOREY.COM

PHONE (508) 548-9607

FAX (508) 548-1664

CARVER, MA

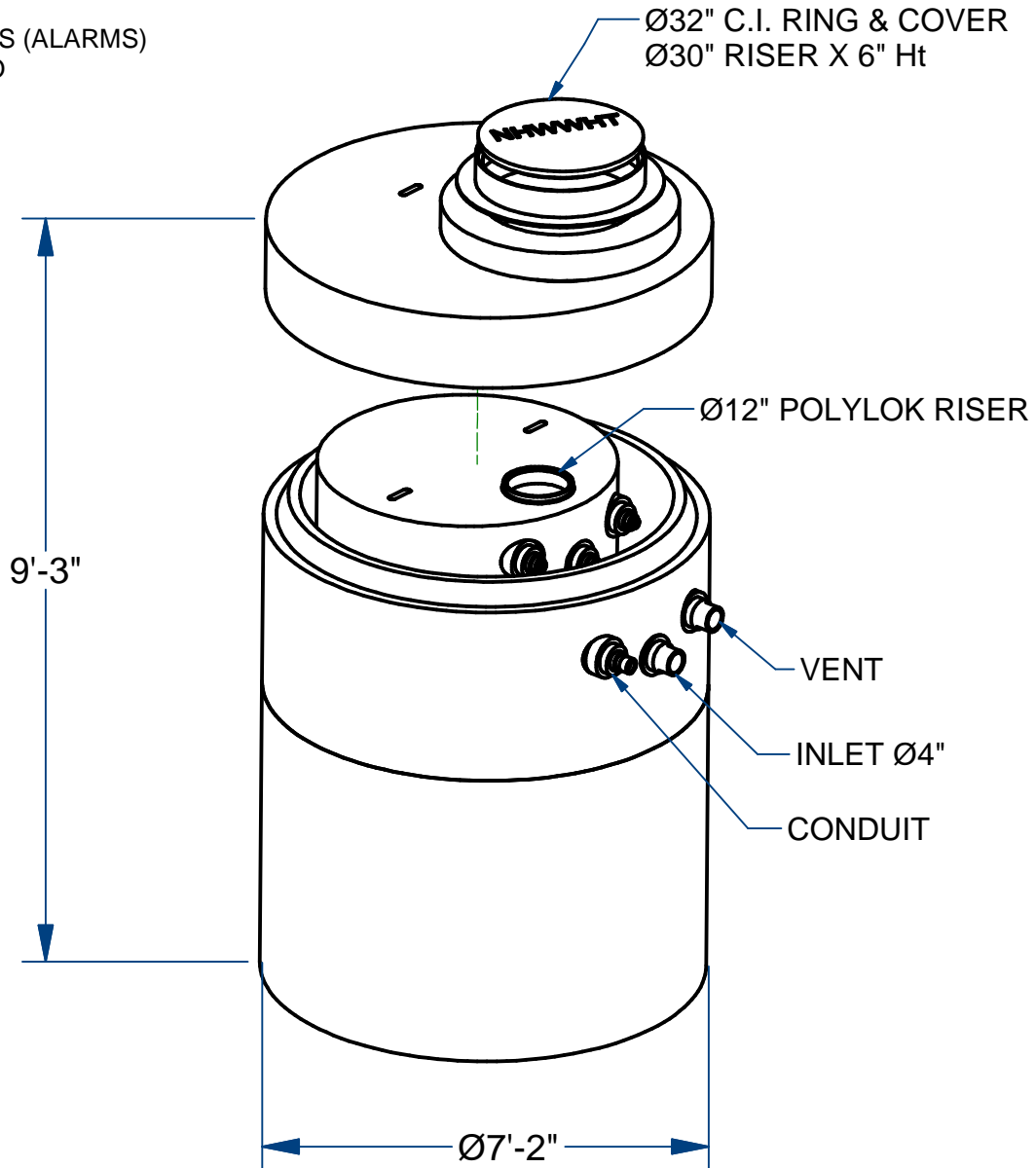
334 TREMONT STREET

HARWICH, MA

36 GREAT WESTERN ROAD

NOTES:

- 1.) SEAM SEALED WITH FLEXIBLE BUTYL RUBBER SEALANT.
- 2.) **INCLUDED IN PACKAGE:**
 - (3) FLOATS
 - (3) TANK ALERTS (ALARMS) VISUAL & AUDIO



NON HAZARDOUS INDUSTRIAL WASTEWATER TANK 500 GALLON CONTAINMENT

H20

ITEM# NHWWHT52

Wt. 30,250 Lbs

22-1.1

Sht 1 of 2

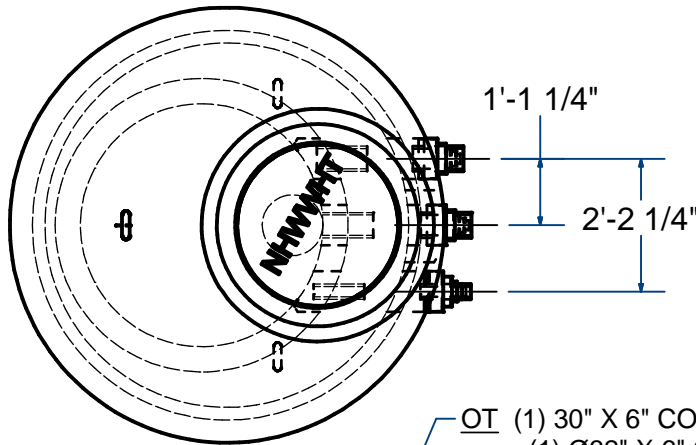
ACME-SHOREY

PRECAST CONCRETE PRODUCTS

NOTES:

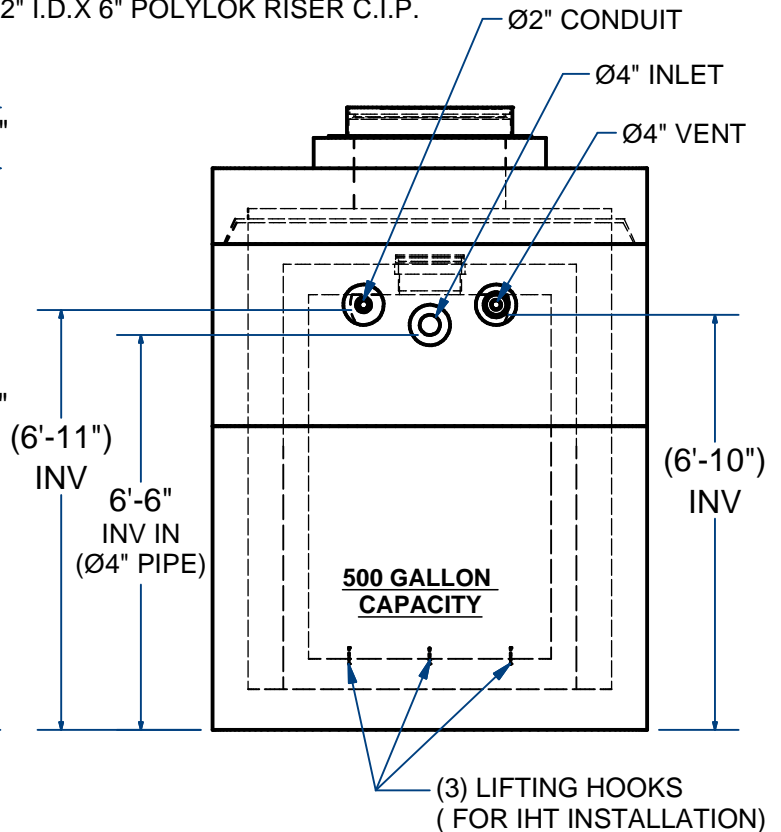
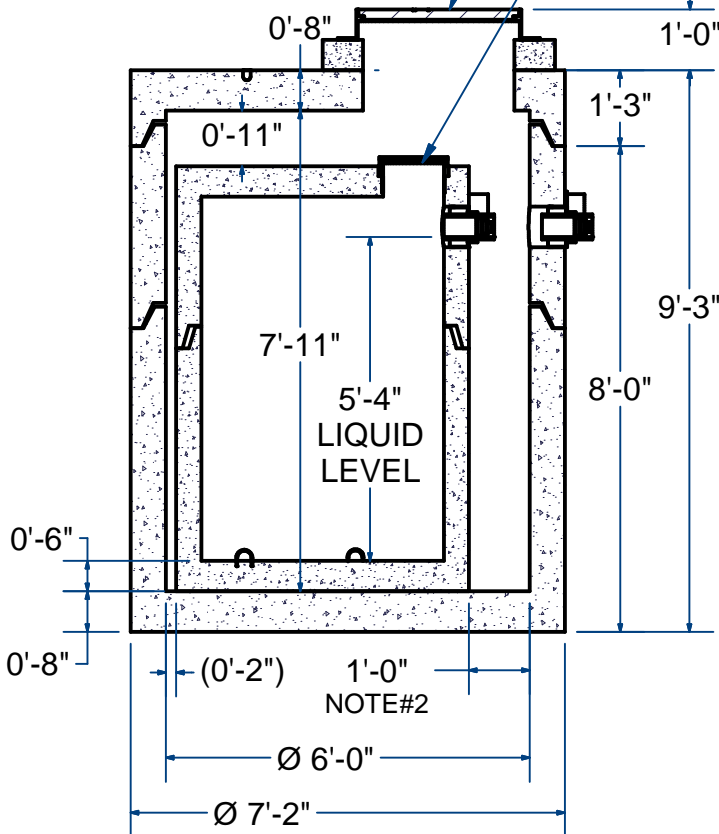
- 1.) SEAM SEALED WITH FLEXIBLE BUTYL RUBBER SEALANT.
- 2.) OFFSET INNER TANK TO OUTER TANK.
- 3.) **INCLUDED IN PACKAGE:**
 - (3) FLOATS
 - (3) TANK ALERTS (ALARMS)
 - VISUAL & AUDIO

NHWWHT52	22-1.1		
Each Tank	Descr.	Ht.	Wt (Lbs)
NH52-IT42	Inner Tank	7'	8,000
NH52-OT62	Outer Tank	9'-3"	22,250
			30,250



OT (1) 30" X 6" CONCRETE RISER
 (1) Ø32" X 6" CAST IRON RING & COVER -Labeled
 (NON-HAZARDOUS INDUSTRIAL WASTEWATER)

IT (1) Ø12" I.D.X 6" POLYLOK RISER C.I.P.



NAME: NON HAZARDOUS INDUSTRIAL WASTEWATER TANK H20
 (500 GALLON STORAGE CAPACITY)

ITEM# NHWWHT52

Concrete Minimum Strength: 5,000 p.s.i. at 28 days
 Steel Reinforcement: ASTM A615, Grade 60
 Design Loading: standard units - AASHTO - H20

WEIGHT 30,250 Lbs

C

DATE: 4-18-23