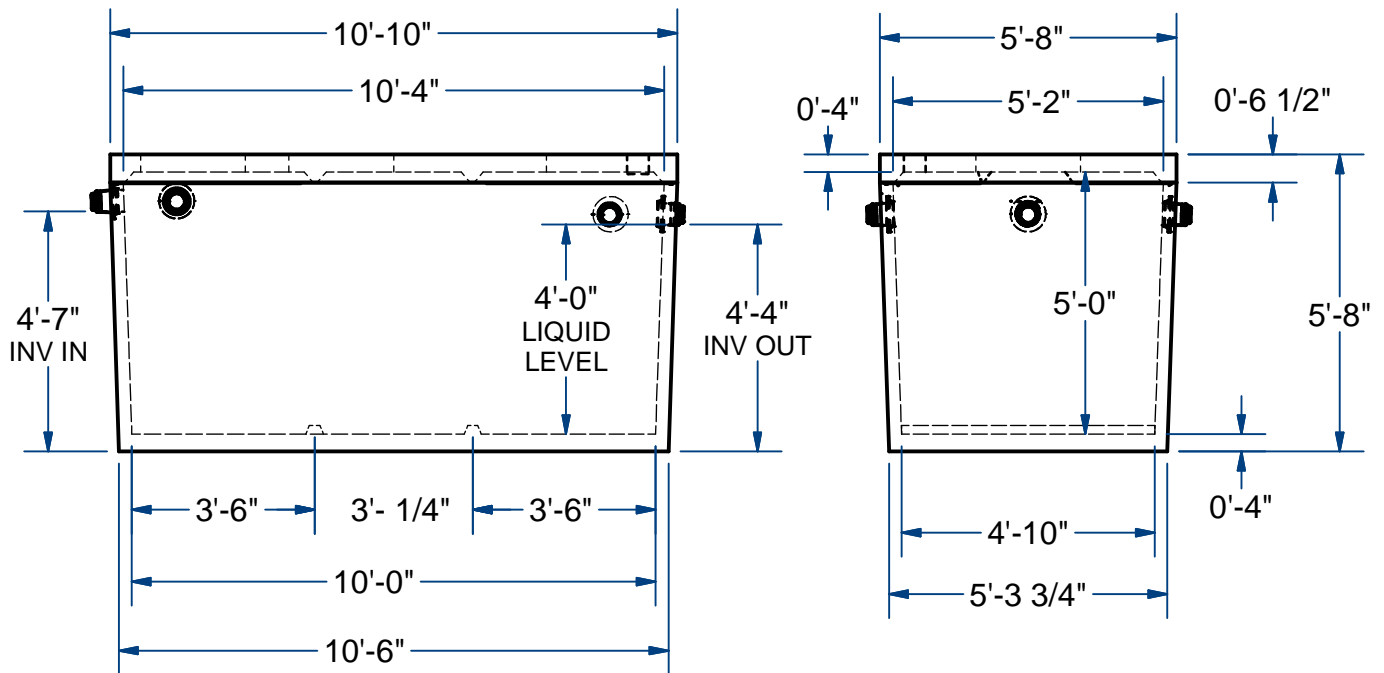
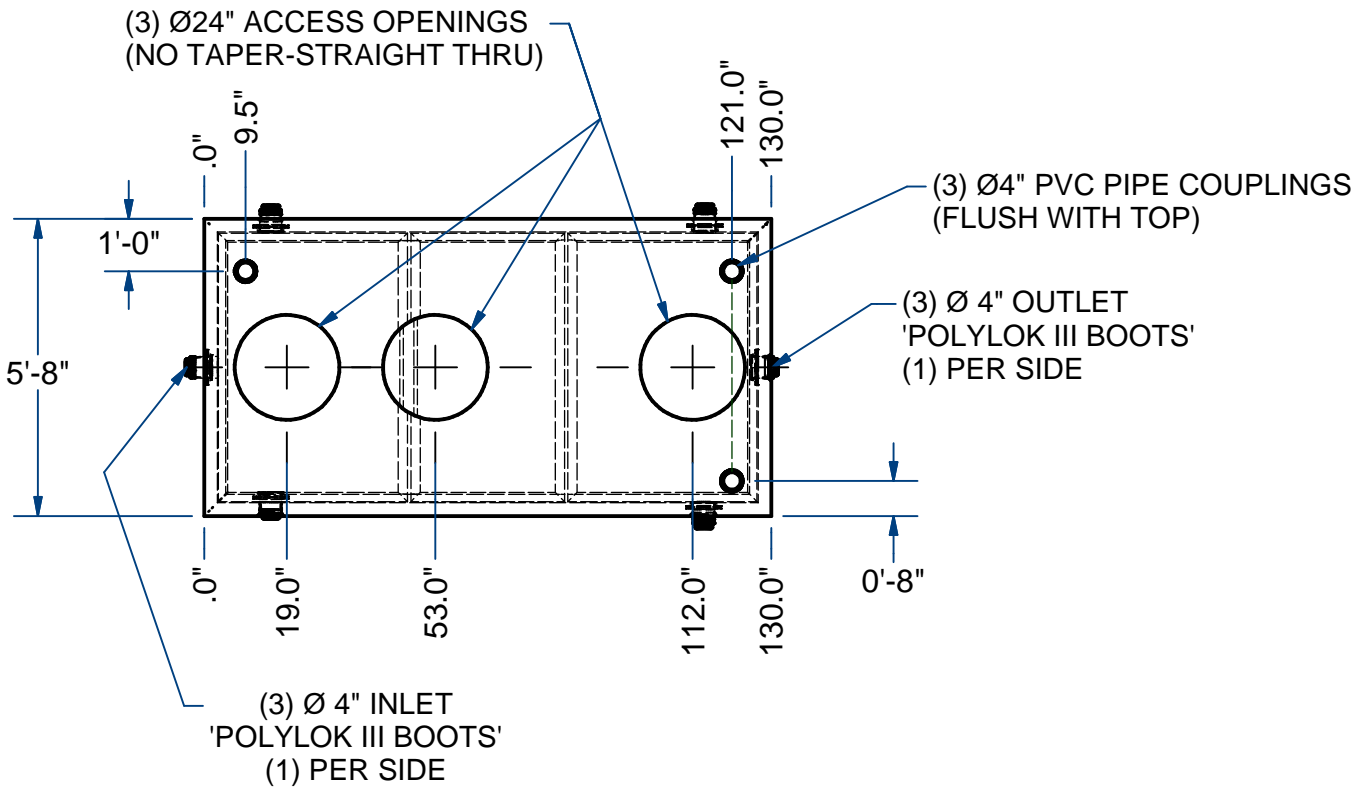


ACME-SHOREY

PRECAST CONCRETE PRODUCTS

NOTES:

- 1.) SEAM SEALED WITH FLEXIBLE BUTYL RUBBER SEALANT.



NAME: NitROE 2KM TANK ,1500 Gallon, MONO
(DENITRIFICATION CHAMBER)

H-10

ITEM#
NitROE2KM-DC15M

Concrete Minimum Strength: 4,000 p.s.i. at 28 days
Steel Reinforcement: ASTM A615, Grade 60
Design Loading: standard units - AASHTO - H10

BASE	9,250
TOP	3,250
	12,500

C

DATE: 10-17-22