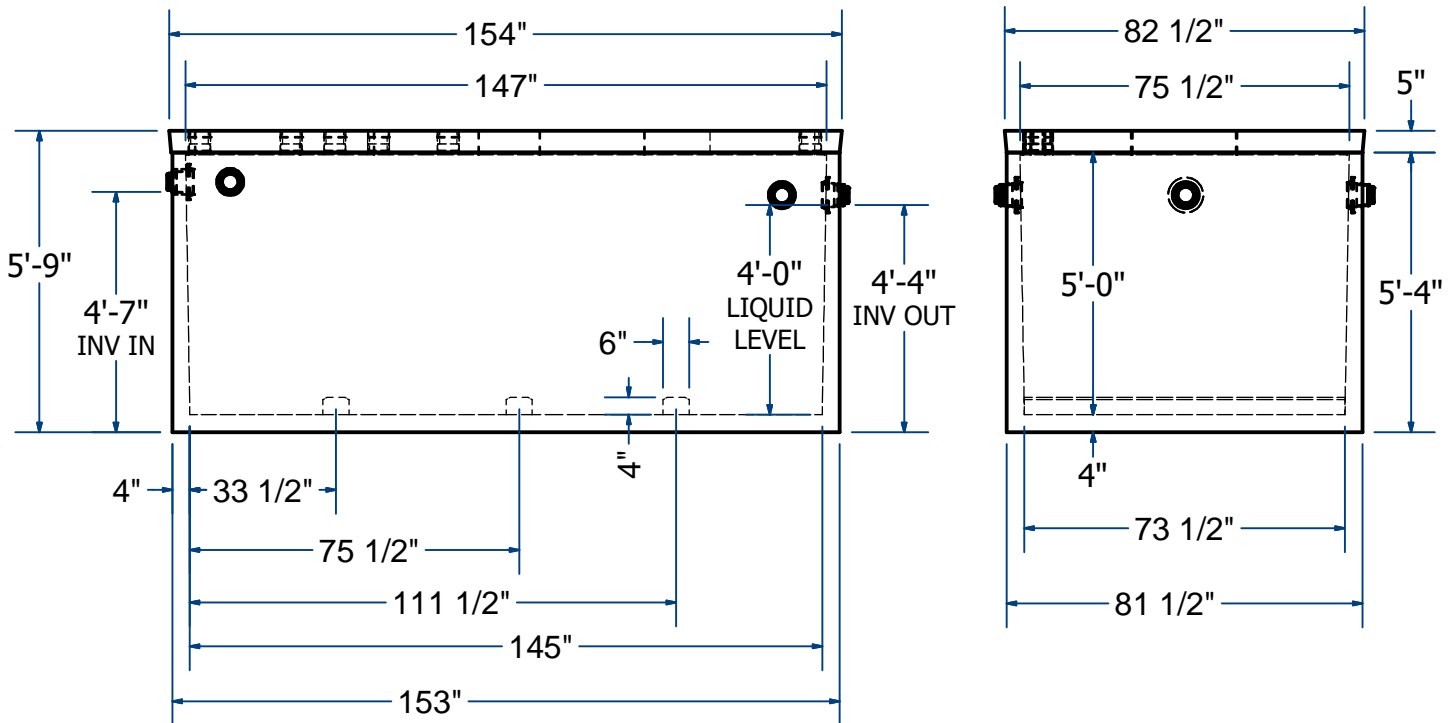
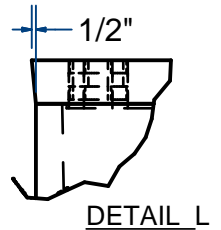
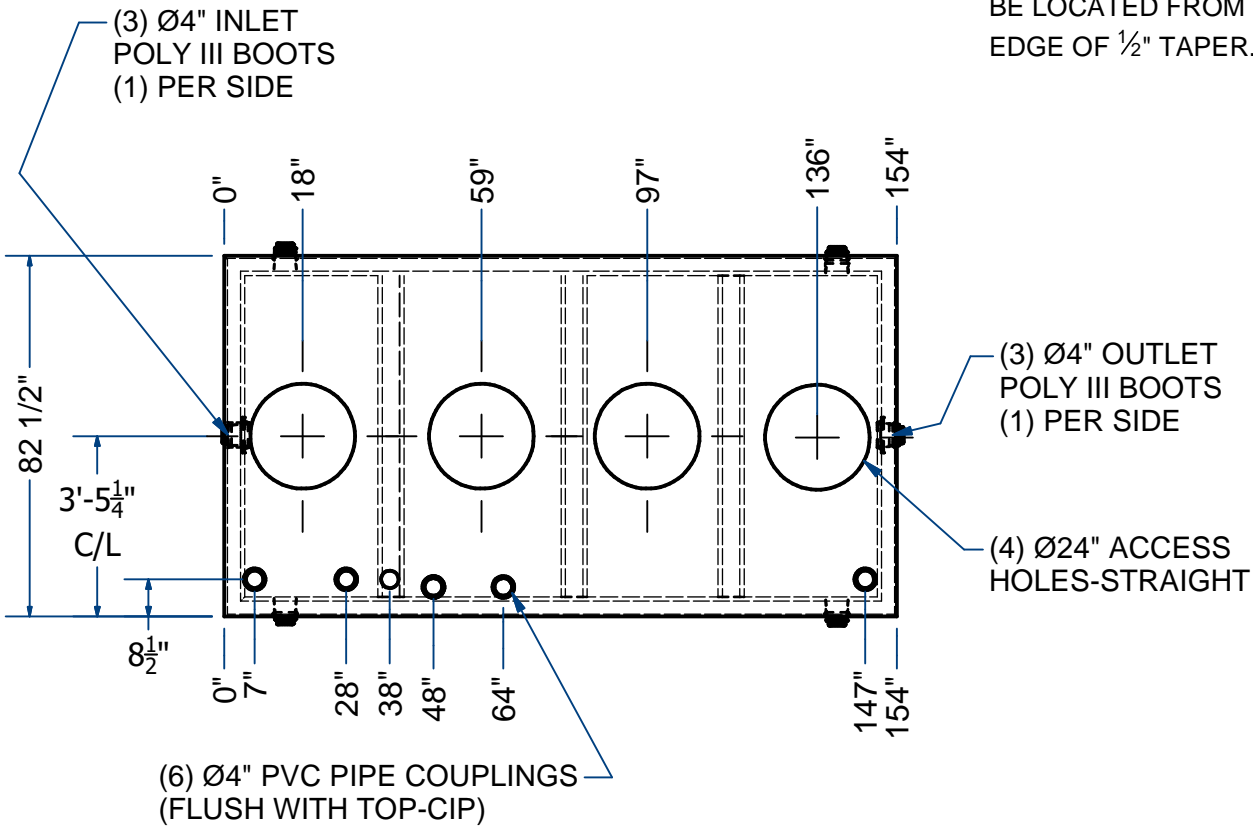


# ACME-SHOREY

PRECAST CONCRETE PRODUCTS

## NOTES:

- 1.) SEAM SEALED WITH FLEXIBLE BUTYL RUBBER SEALANT.
- 2.) ALL HOLES IN TOP OF TANK ARE TO BE LOCATED FROM LARGEST OUTSIDE EDGE OF 1/2" TAPER.



**NAME: NitROE 2KS TANK, 2000Gallon, MONO**

**H-10**

**ITEM# NitROE2KS-20M**

Concrete Minimum Strength: 4,000 p.s.i. at 28 days  
 Steel Reinforcement: ASTM A615, Grade 60  
 Design Loading: standard units - AASHTO - H10

BASE	13,500
TOP	5,500
	19,000

Cs

DATE: 7-26-22