

# ACME-SHOREY

PRECAST CONCRETE PRODUCTS

WWW.ACME-SHOREY.COM

PHONE (508) 548-9607

FAX (508) 548-1664

CARVER, MA

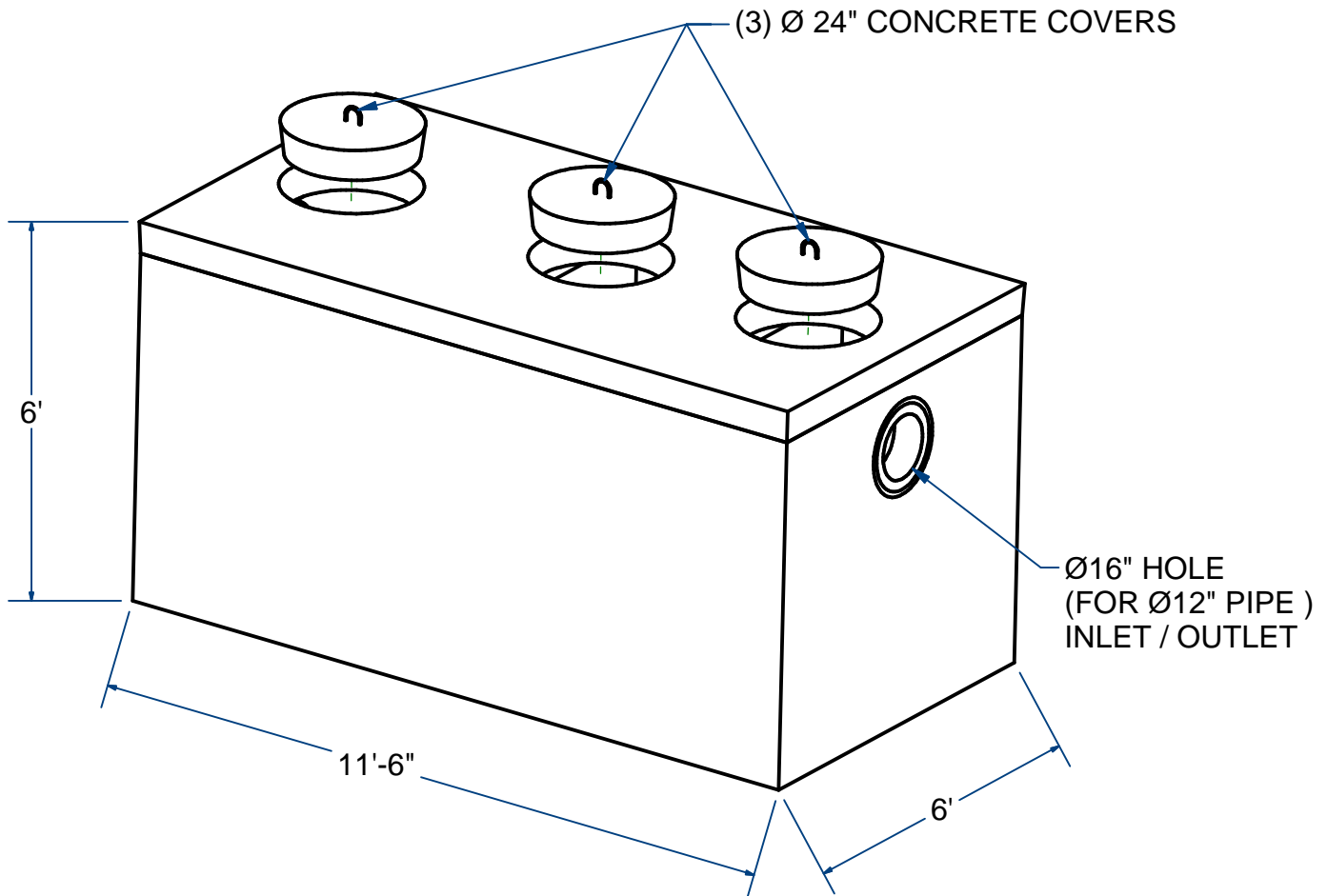
334 TREMONT STREET

HARWICH, MA

36 GREAT WESTERN ROAD

## NOTES:

- 1.) SEAM SEALED WITH FLEXIBLE BUTYL RUBBER SEALANT.



## OIL GRIT SEPARATOR TANK , MONOLITHIC

1500 GALLON

H2O

ITEM# OGST152M

Wt. 25,500 Lbs

22-2.1

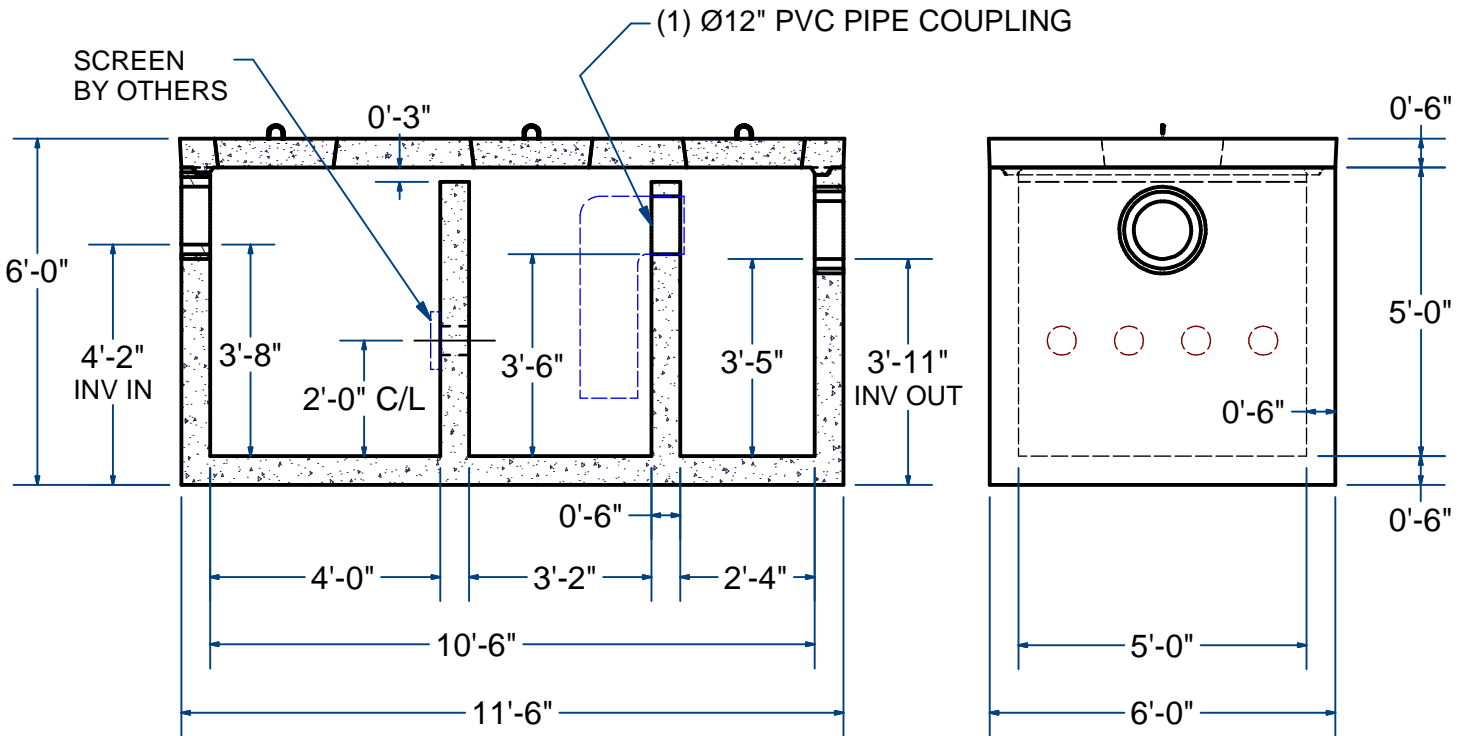
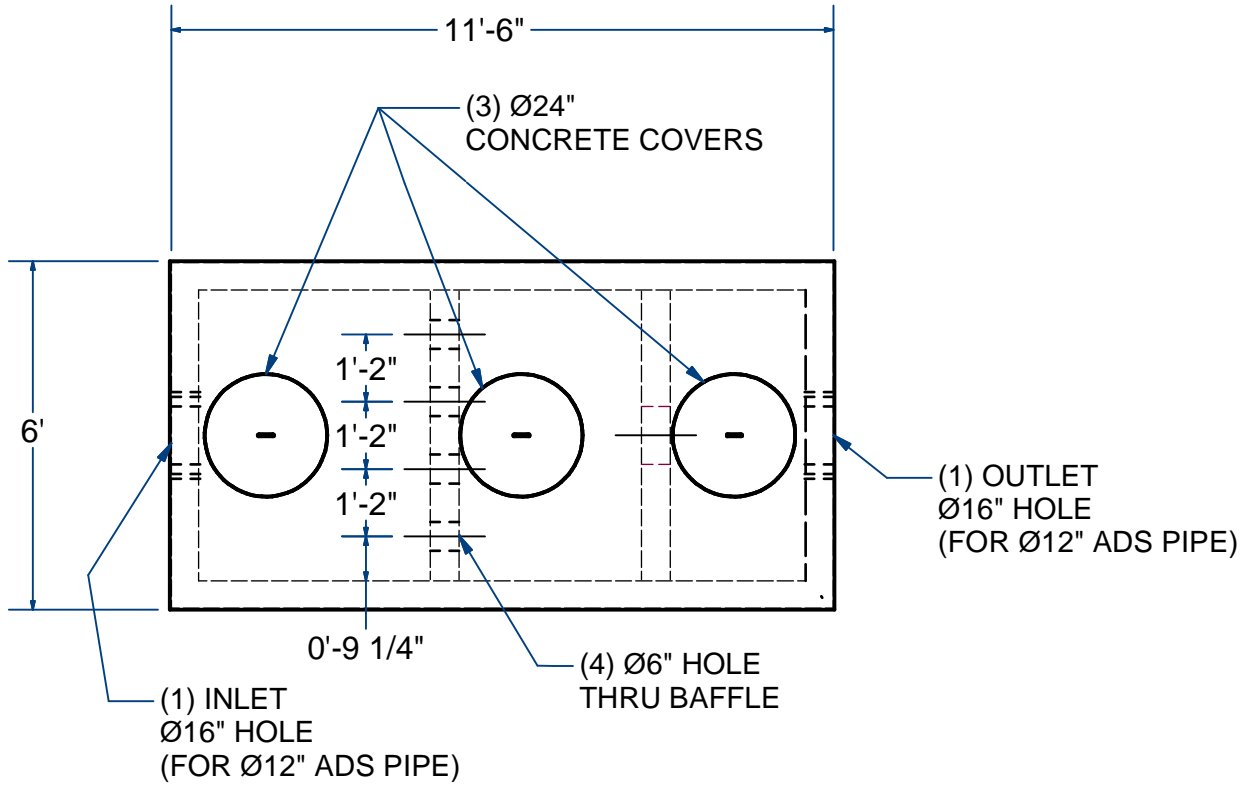
Sht 1 of 2

# ACME-SHOREY

PRECAST CONCRETE PRODUCTS

**NOTES:**

- 1.) SEAM SEALED WITH FLEXIBLE BUTYL RUBBER SEALANT.
- 2.) IF REQUIRE DIFFERENT PIPE SIZE OR LOCATION ON SIDES MUST BE SPECIFIED AT TIME OF ORDER.



**NAME: OIL GRIT SEPARATOR TANK 1,500 GALLON H-20**

**ITEM# OGST152M**

Concrete Minimum Strength: 5,000 p.s.i. at 28 days  
 Steel Reinforcement: ASTM A615, Grade 60  
 Design Loading: standard units - AASHTO - H20

TOP 4,750 Lbs  
 BOTTOM 20,750 Lbs

H

DATE: 7-1-2021