

ACME-SHOREY

PRECAST CONCRETE PRODUCTS

WWW.ACMESHOREY.COM

PHONE (508) 548-9607

FAX (508) 548-1664

CARVER, MA

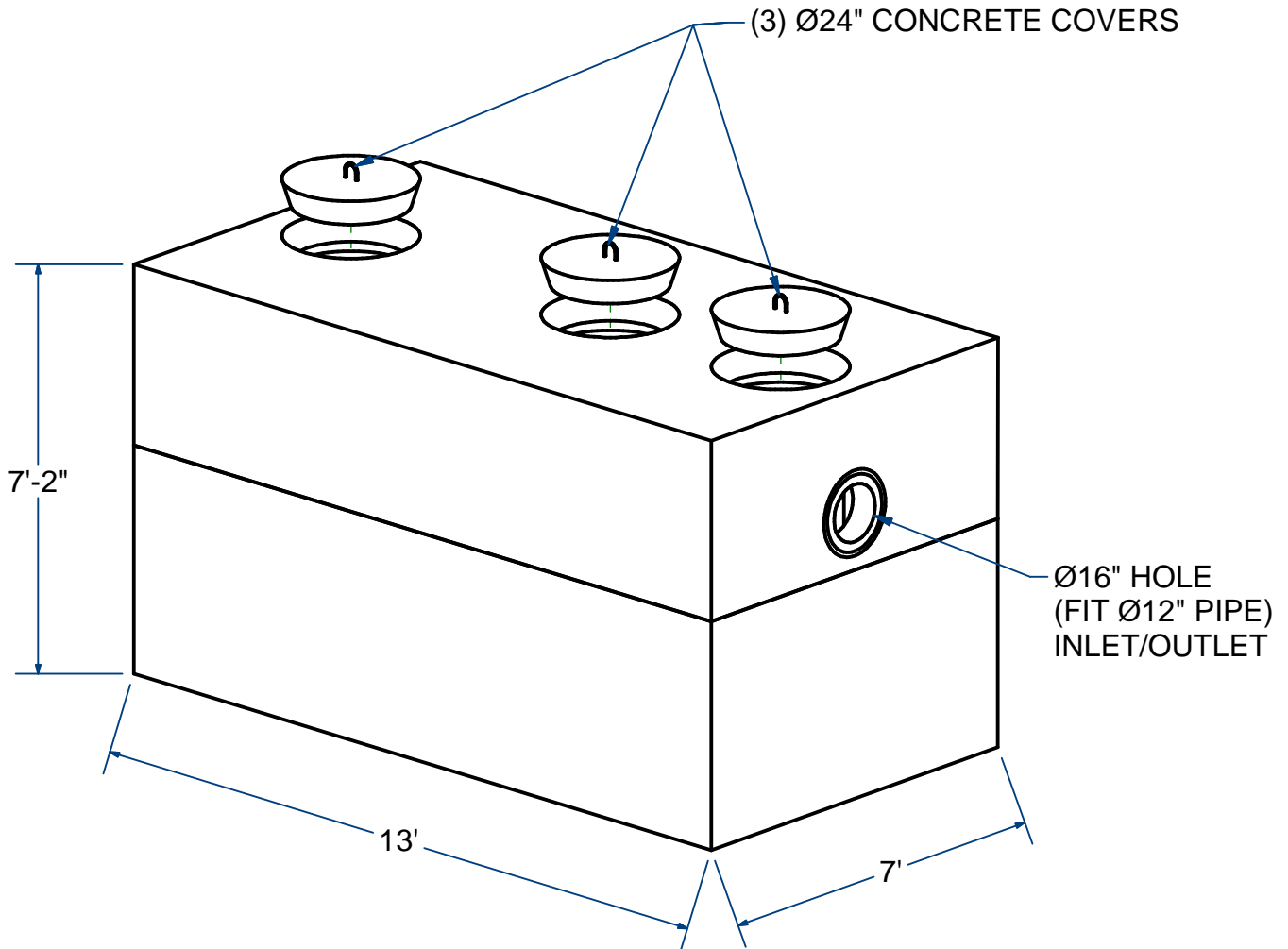
334 TREMONT STREET

HARWICH, MA

36 GREAT WESTERN ROAD

NOTES:

- 1.) SEAM SEALED WITH FLEXIBLE BUTYL RUBBER SEALANT.



OIL GRIT SEPARATOR TANK, LOW PROFILE

2,500 Gallon

H2O

ITEM# OGST252LP

Wt. 37,000 Lbs

22-2.3

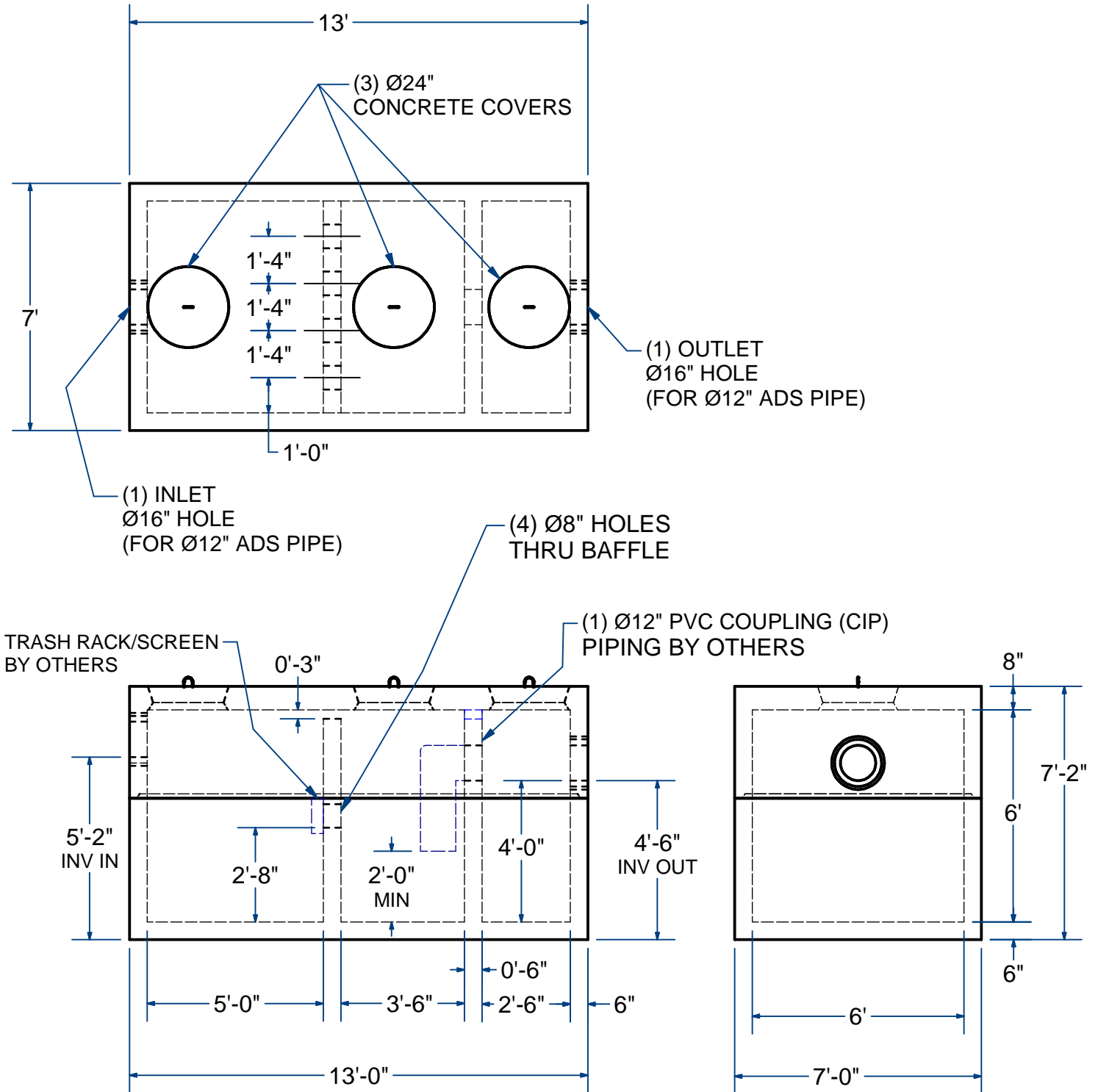
Sht 1 of 2

ACME-SHOREY

PRECAST CONCRETE PRODUCTS

NOTES:

- 1.) SEAM SEALED WITH FLEXIBLE BUTYL RUBBER SEALANT.
- 2.) IF REQUIRE DIFFERENT PIPE SIZE OR LOCATION ON SIDES MUST BE SPECIFIED AT TIME OF ORDER.



NAME: OIL GRIT SEPARATOR TANK, 2500 GALLON

H-20

ITEM# OGST252LP

Concrete Minimum Strength: 5,000 p.s.i. at 28 days
 Steel Reinforcement: ASTM A615, Grade 60
 Design Loading: standard units - AASHTO - H20

TOP 16,500 Lbs
 BOTTOM 20,500 Lbs

C

DATE: 7-1-21