

ACME-SHOREY

PRECAST CONCRETE PRODUCTS

WWW.ACMESHOREY.COM

PHONE (508) 548-9607

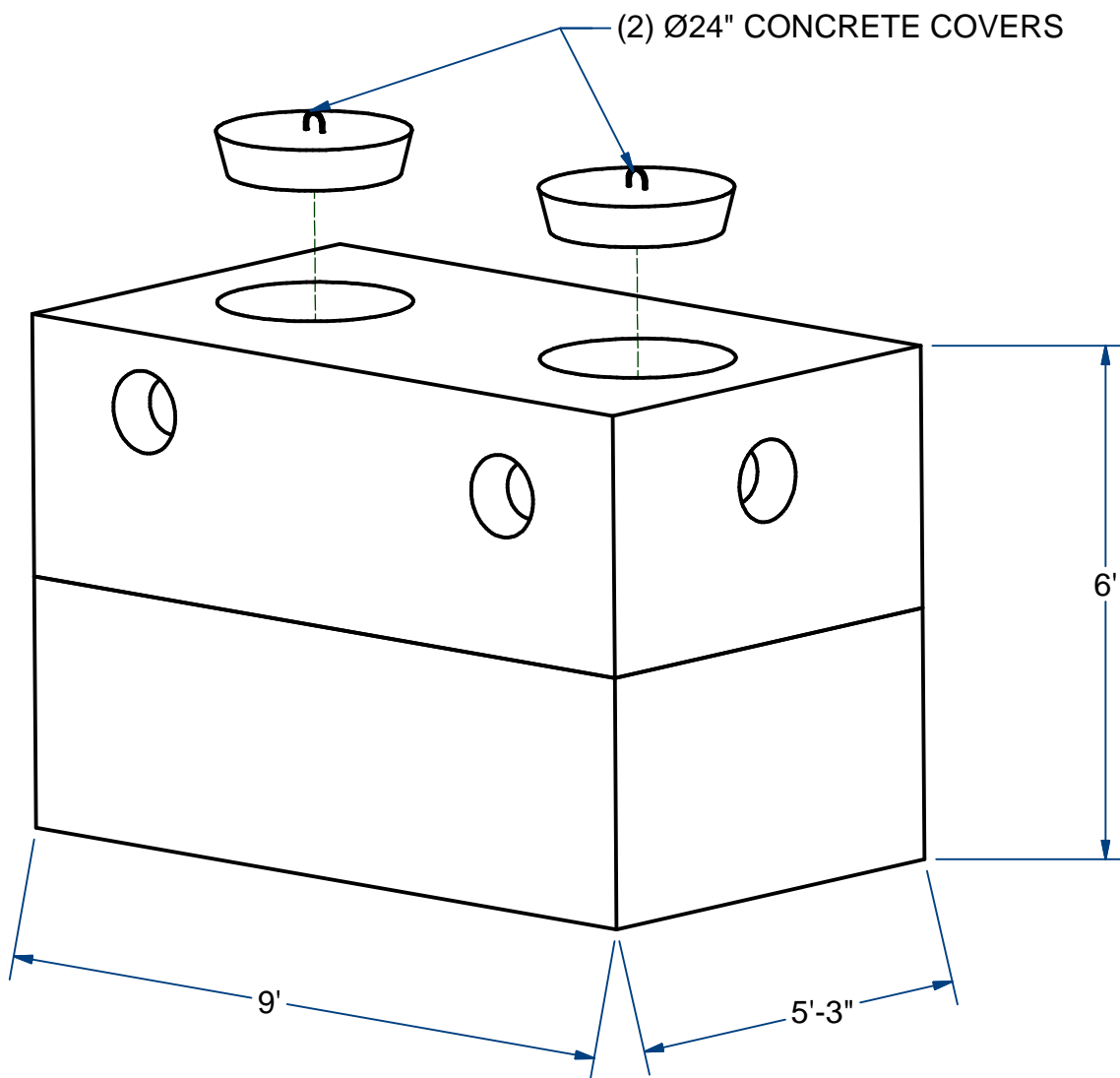
FAX (508) 548-1664

CARVER, MA
334 TREMONT STREET

HARWICH, MA
36 GREAT WESTERN ROAD

NOTES:

- 1.) SEAM SEALED WITH FLEXIBLE BUTYL RUBBER SEALANT.



PUMP CHAMBER

H20

1,000 Gallon

ITEM# PC102

Wt. 17,250 Lbs

9 -4.1

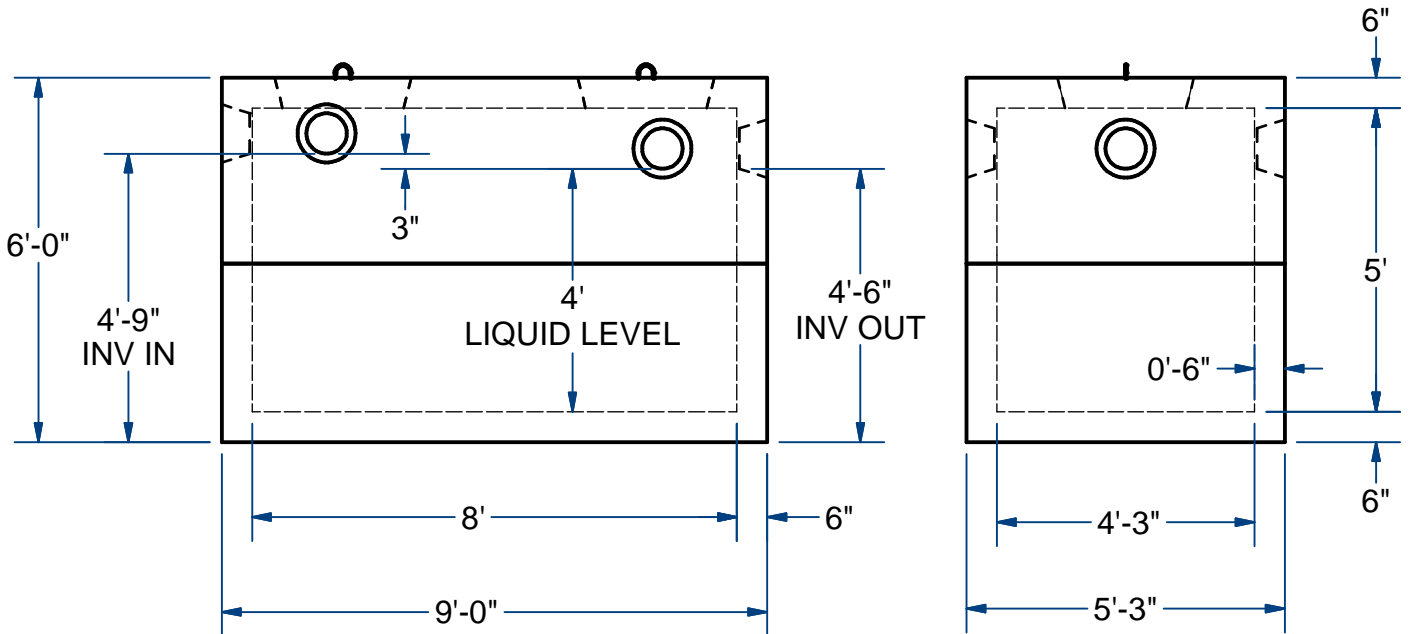
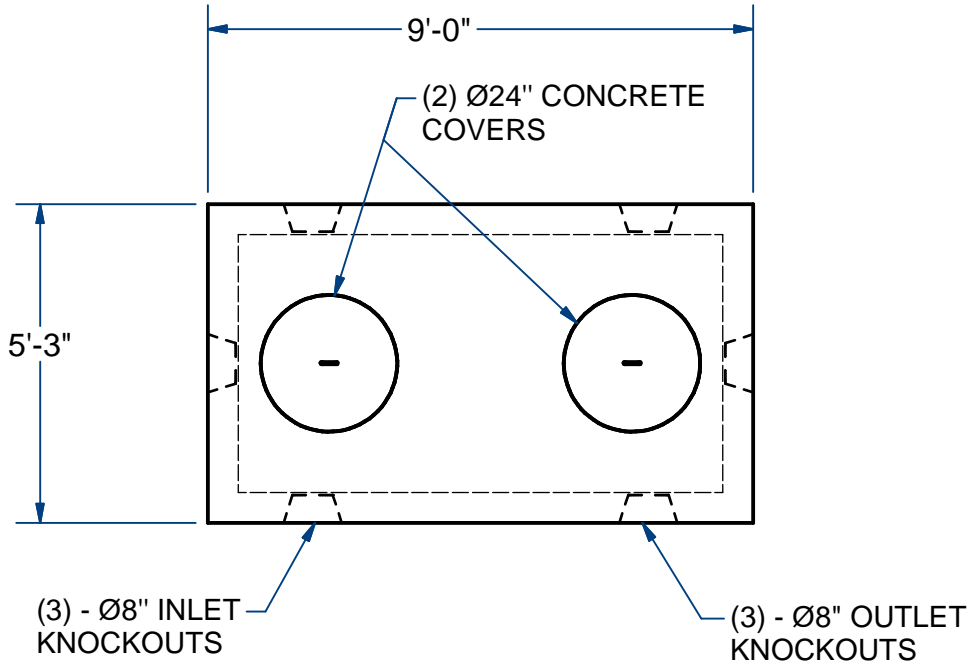
Sht 1 of 2

ACME-SHOREY

PRECAST CONCRETE PRODUCTS

NOTES:

- 1.) SEAM SEALED WITH FLEXIBLE BUTYL RUBBER SEALANT.



NAME: PUMP CHAMBER, 1000 Gallon

H-20

ITEM# PC102

Concrete Minimum Strength: 5,000 p.s.i. at 28 days
 Steel Reinforcement: ASTM A615, Grade 60
 Design Loading: standard units - AASHTO - H20

TOP 8,250
 BOTTOM 9,000

Lbs
 Lbs

A

DATE: 10-1-2018

Ch 9 Pg 4.1 Sht 2 of 2