

# ACME-SHOREY

PRECAST CONCRETE PRODUCTS

WWW.ACMESHOREY.COM

PHONE (508) 548-9607

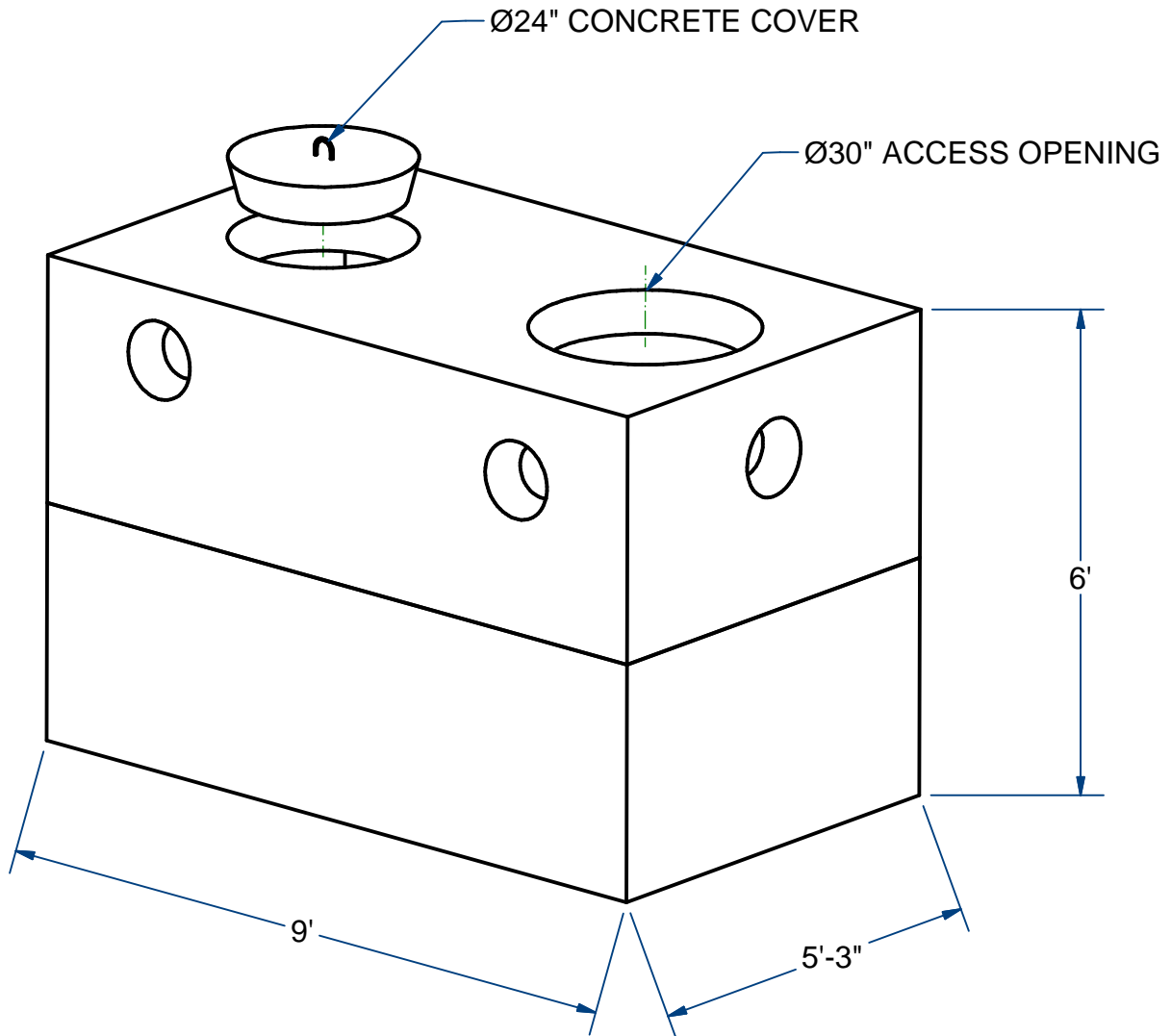
FAX (508) 548-1664

CARVER, MA  
334 TREMONT STREET

HARWICH, MA  
36 GREAT WESTERN ROAD

## NOTES:

- 1.) SEAM SEALED WITH FLEXIBLE BUTYL RUBBER SEALANT.



## PUMP CHAMBER

H20

1,000 Gallon

ITEM# PC10230

Wt. 17,250 Lbs

9 -4.2

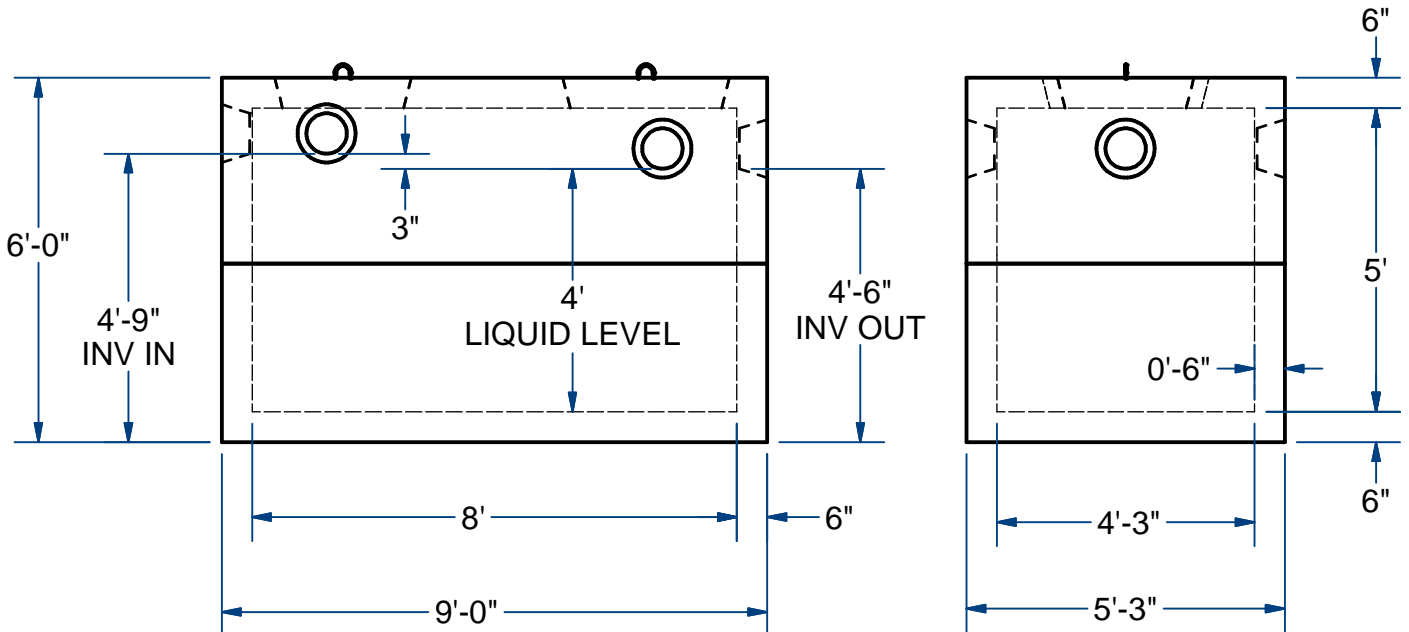
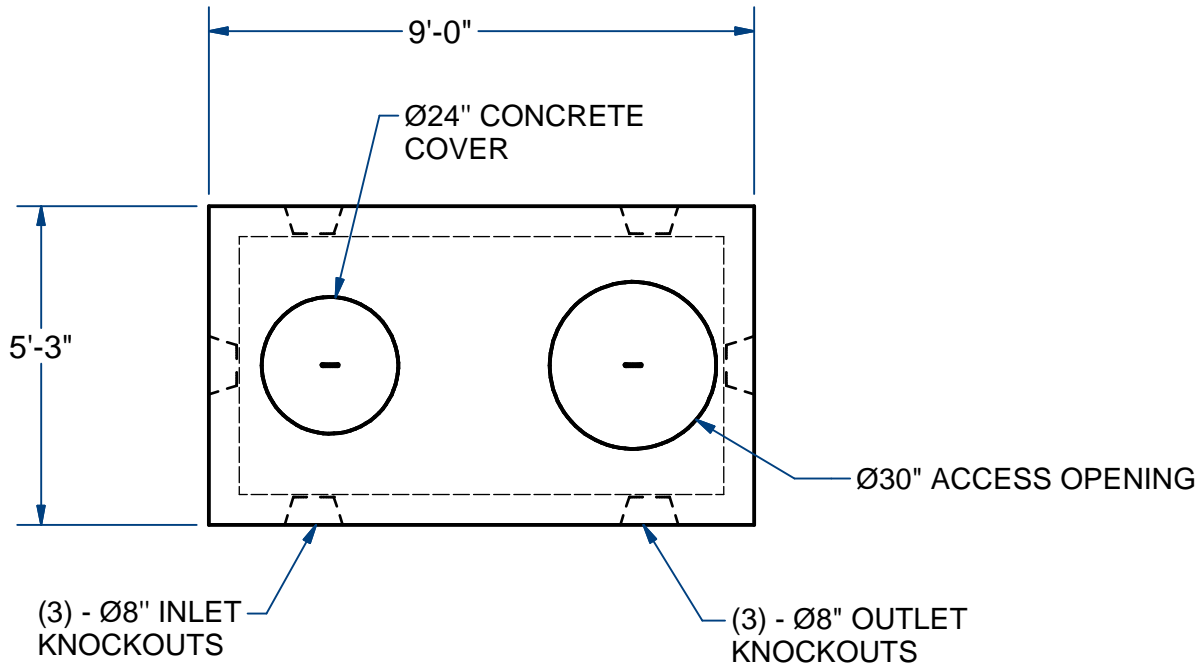
Sht 1 of 2

# ACME-SHOREY

PRECAST CONCRETE PRODUCTS

**NOTES:**

1.) SEAM SEALED WITH FLEXIBLE BUTYL RUBBER SEALANT.



**NAME: PUMP CHAMBER, 1000 Gallon**

**H-20**

**ITEM# PC10230**

Concrete Minimum Strength: 5,000 p.s.i. at 28 days  
 Steel Reinforcement: ASTM A615, Grade 60  
 Design Loading: standard units - AASHTO - H20

TOP 8,250  
 BOTTOM 9,000

Lbs  
 Lbs

**A**

DATE: 3-1-2018

Ch 9 Pg 4.2 Sht 2 of 2