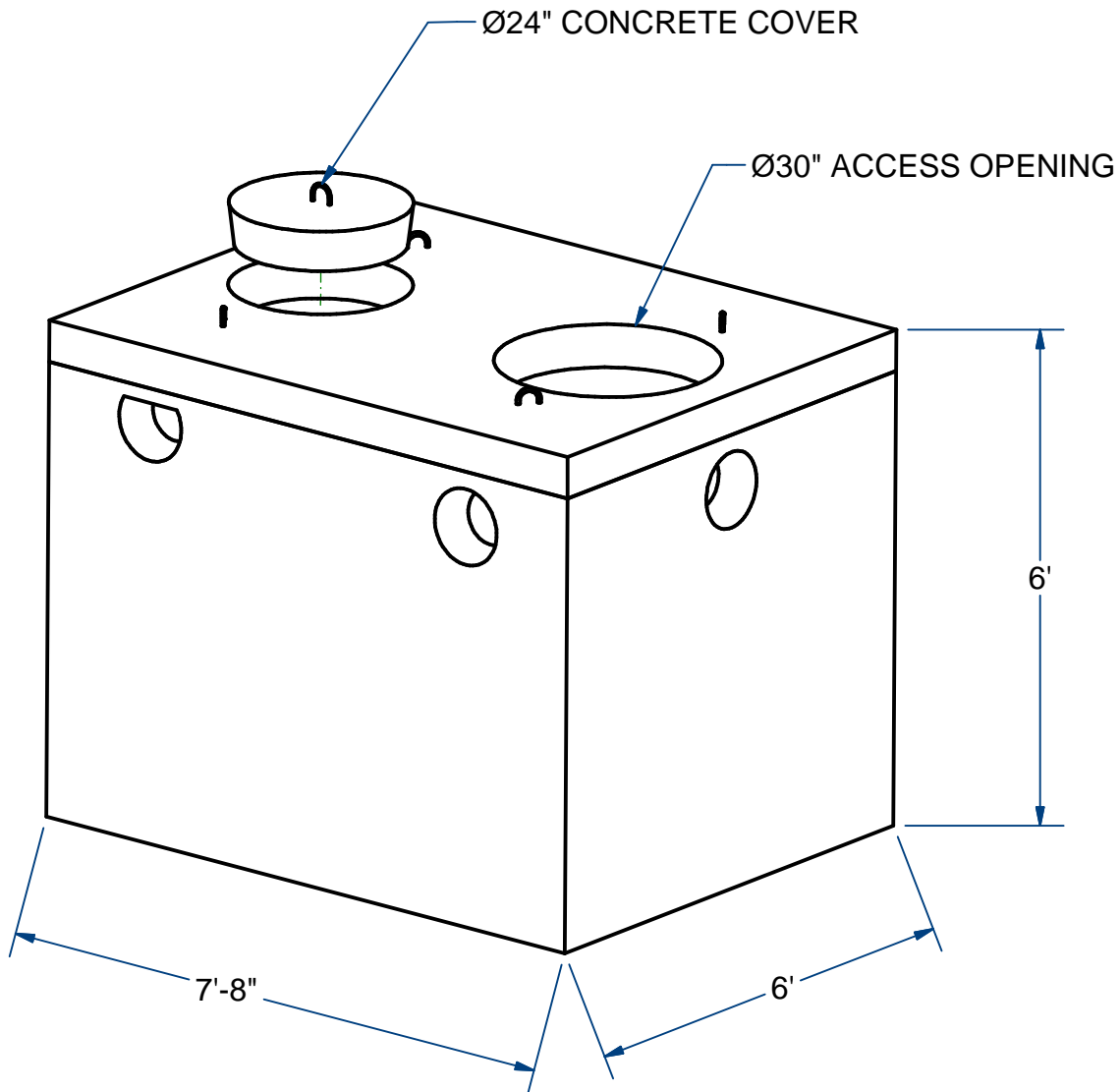


NOTES:  
1.) SEAM SEALED WITH FLEXIBLE BUTYL RUBBER SEALANT.



**PUMP CHAMBER, MONO**

H20

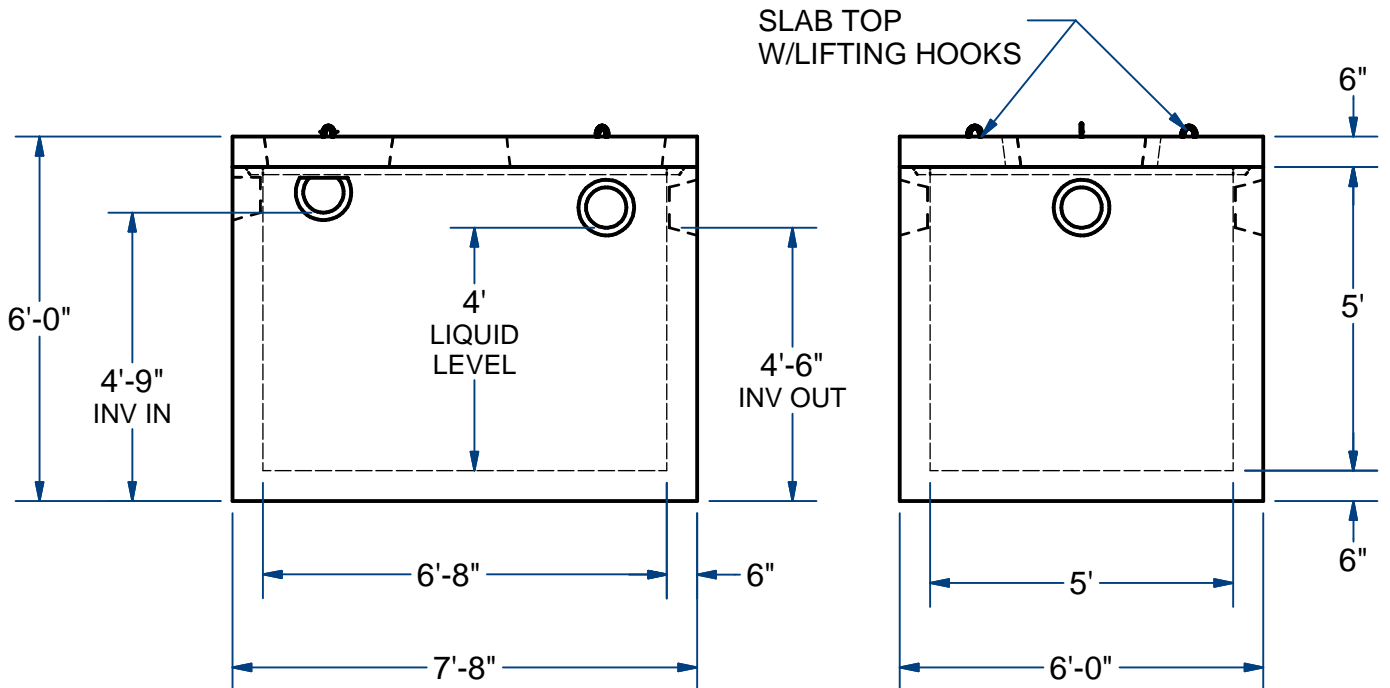
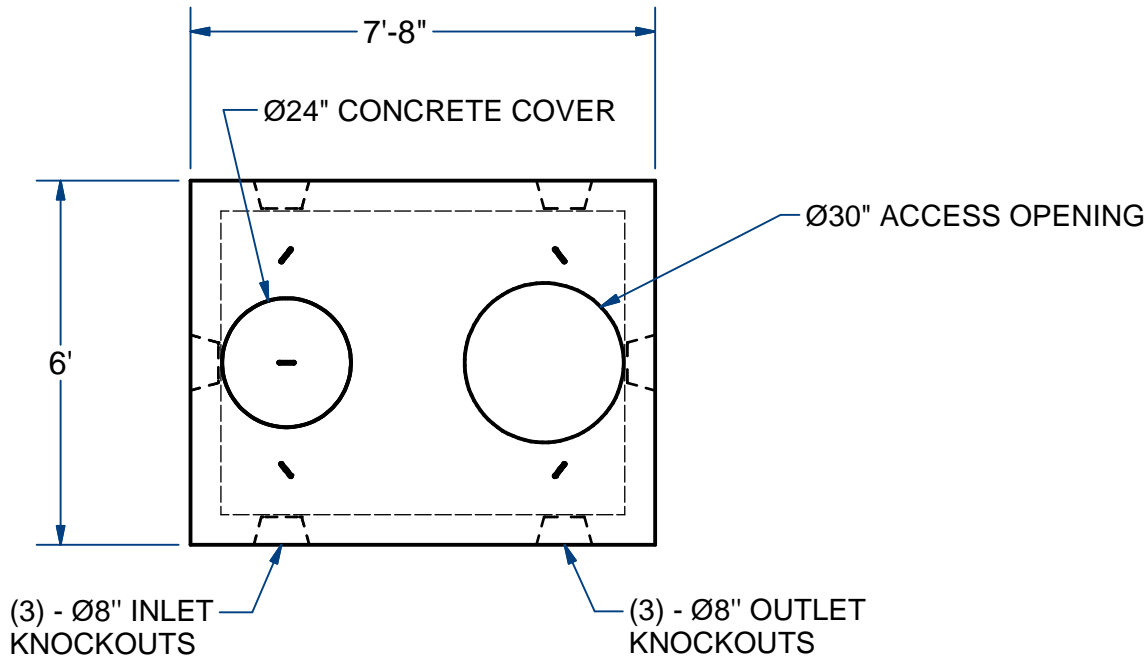
1,000 Gallon

# ACME-SHOREY

PRECAST CONCRETE PRODUCTS

**NOTES:**

- 1.) SEAM SEALED WITH FLEXIBLE BUTYL RUBBER SEALANT.



**NAME: PUMP CHAMBER, 1000 Gallon, Mono**

**H-20**

**ITEM# PC102M30**

Concrete Minimum Strength: 5,000 p.s.i. at 28 days  
 Steel Reinforcement: ASTM A615, Grade 60  
 Design Loading: standard units - AASHTO - H20

TOP 3,100 Lbs  
 BOTTOM 13,400 Lbs

**A**

DATE: 10-2-2018