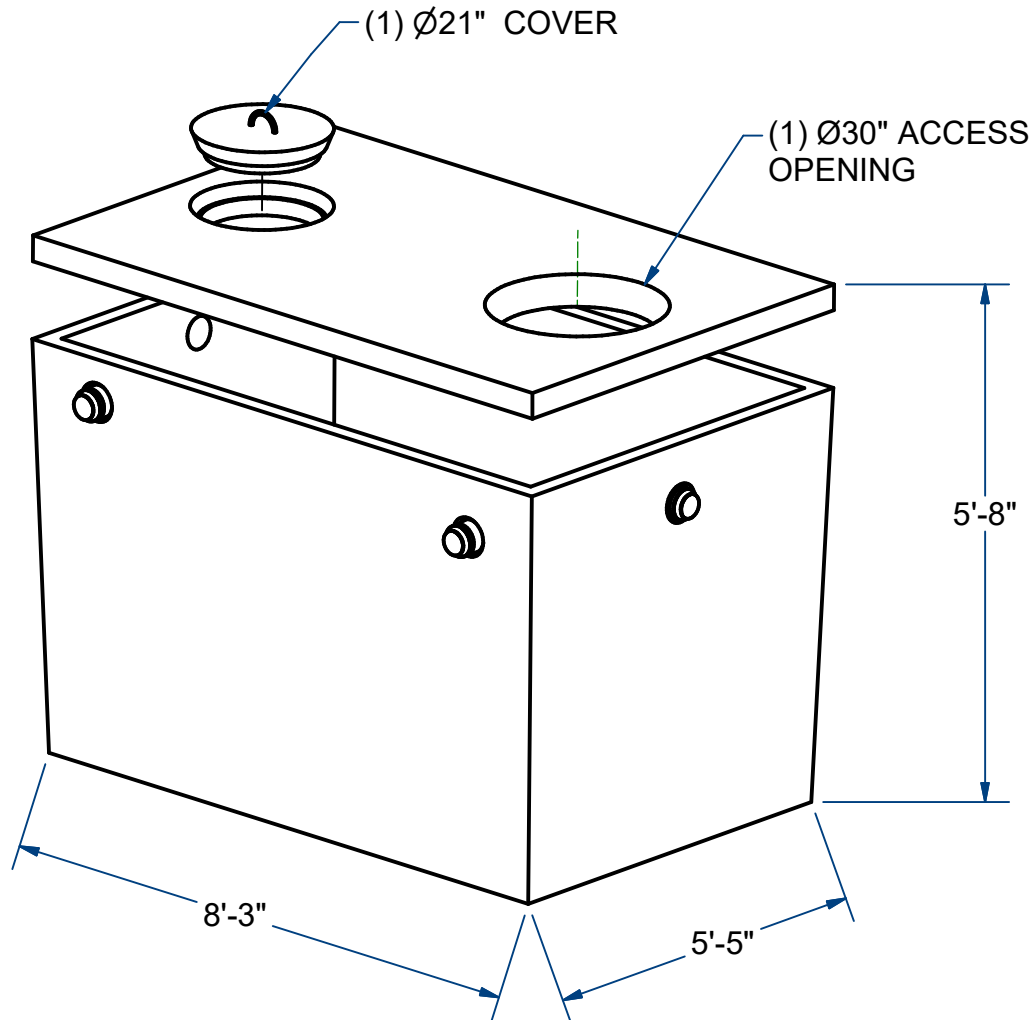


NOTES:

- 1.) SEAM SEALED WITH FLEXIBLE BUTYL RUBBER SEALANT.



PUMP CHAMBER MONOLITHIC

H10

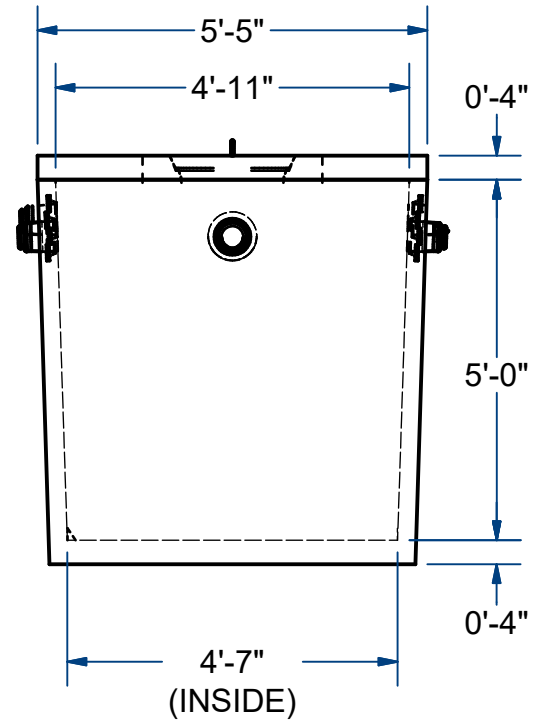
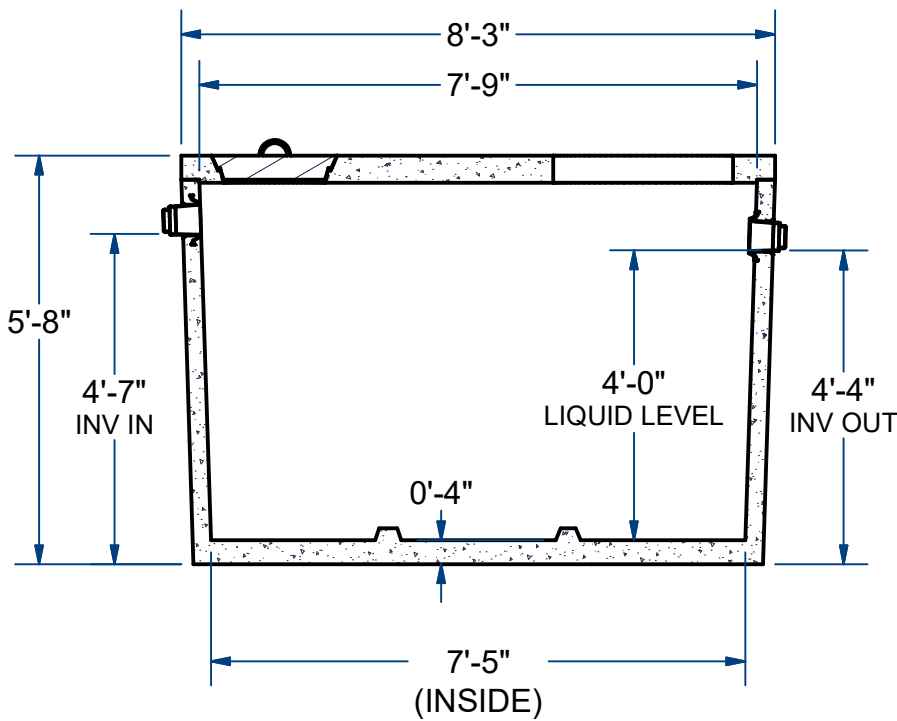
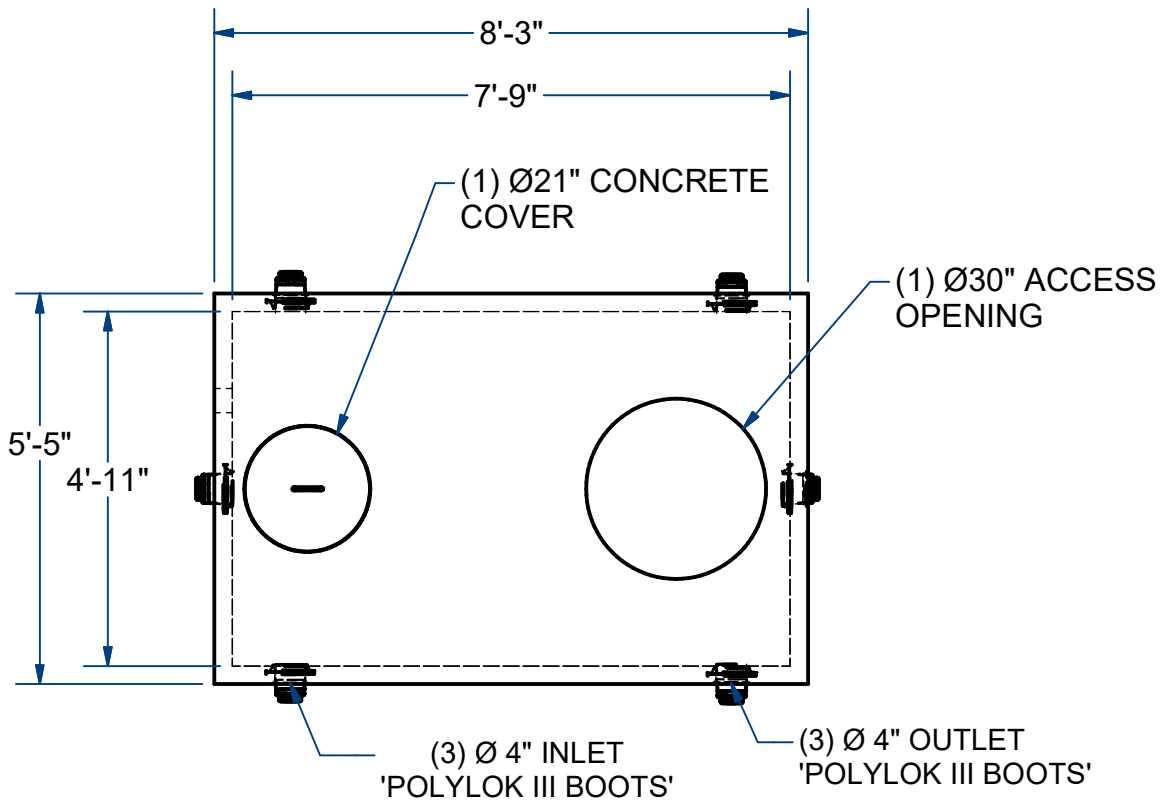
1000 GALLON

ACME-SHOREY

PRECAST CONCRETE PRODUCTS

NOTES:

- 1.) SEAM SEALED WITH FLEXIBLE BUTYL RUBBER SEALANT.



NAME: PUMJP CHAMBER 1000 Gallon, MONO

H-10

ITEM# PC10M30H

Concrete Minimum Strength: 4,000 p.s.i. at 28 days
 Steel Reinforcement: ASTM A615, Grade 60
 Design Loading: standard units - AASHTO - H10

TOP 2,250 Lbs
 BOTTOM 7,500 Lbs

Hc

DATE: 12-6-23

Ch 2 Pg 2.2 Sht 2 of 2