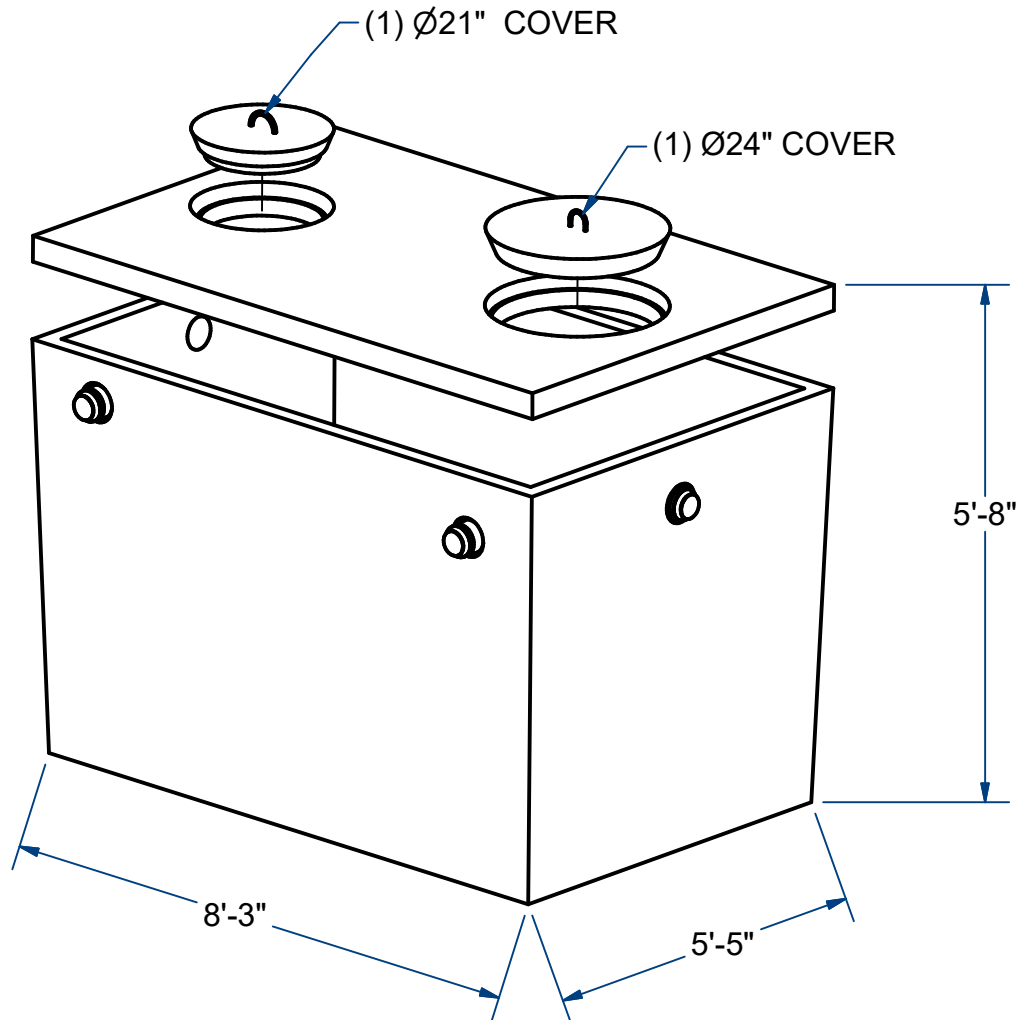


NOTES:

- 1.) SEAM SEALED WITH FLEXIBLE BUTYL RUBBER SEALANT.



**PUMP CHAMBER MONOLITHIC**

H10

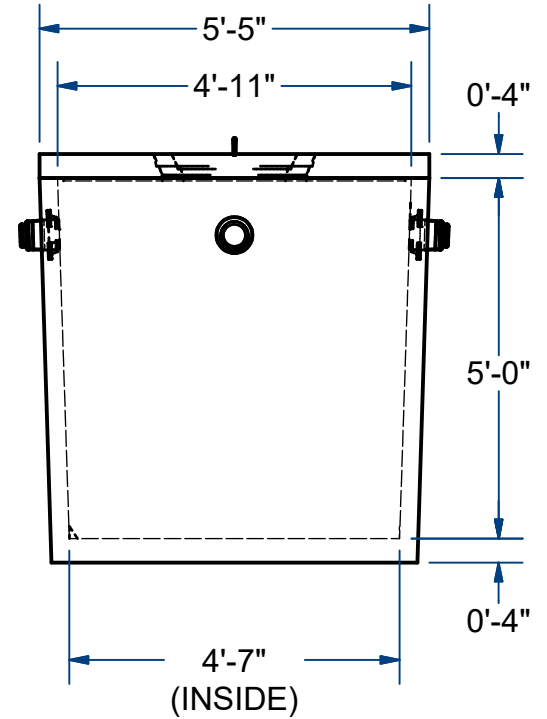
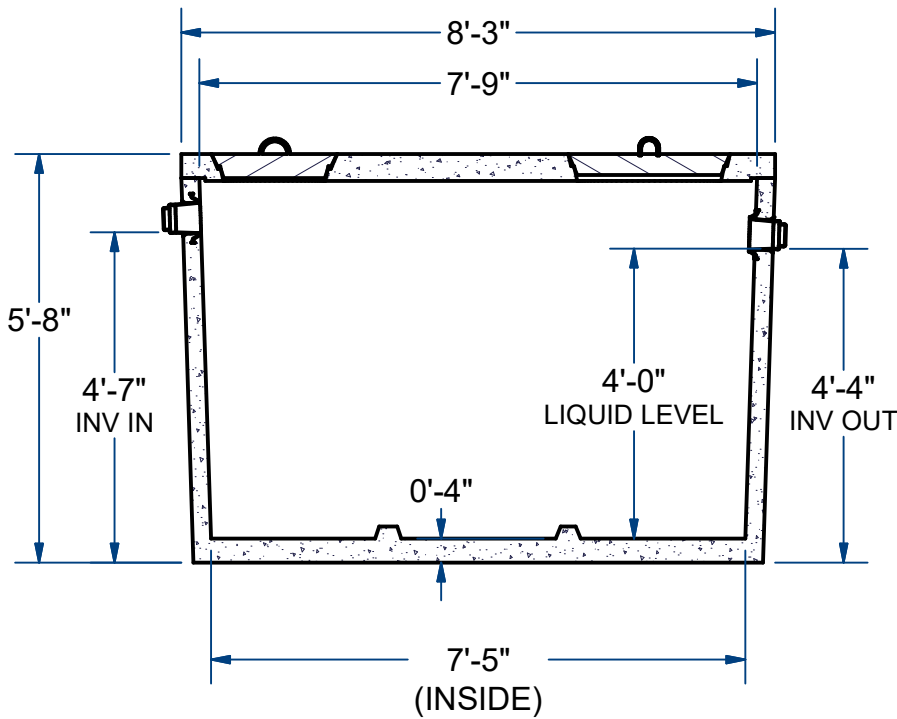
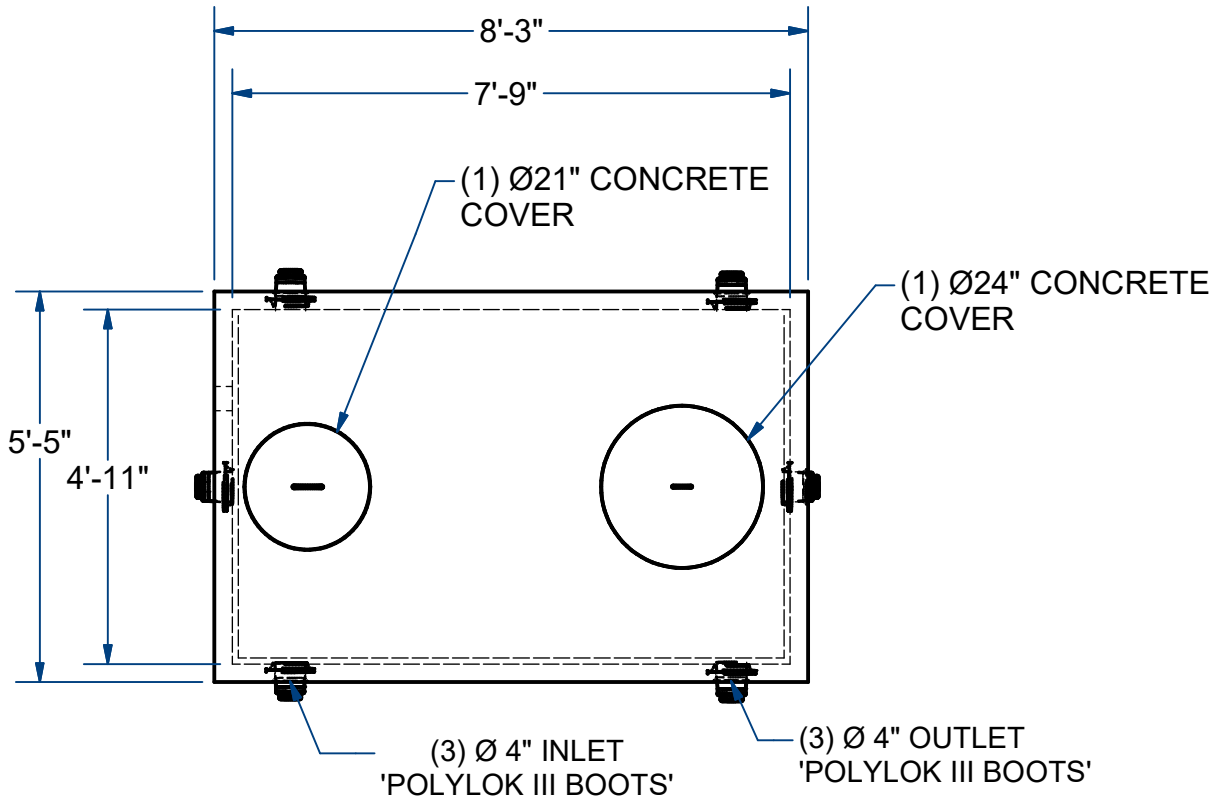
1000 GALLON

# ACME-SHOREY

PRECAST CONCRETE PRODUCTS

NOTES:

- 1.) SEAM SEALED WITH FLEXIBLE BUTYL RUBBER SEALANT.



**NAME: PUMP CHAMBER 1000 Gallon, MONO**

**H-10**

**ITEM# PC10M**

Concrete Minimum Strength: 4,000 p.s.i. at 28 days  
 Steel Reinforcement: ASTM A615, Grade 60  
 Design Loading: standard units - AASHTO - H10

TOP 2,250 Lbs  
 BOTTOM 7,500 Lbs

Hc

DATE: 12-6-23

Ch 2 Pg 2.1 Sht 2 of 2