

# ACME-SHOREY

PRECAST CONCRETE PRODUCTS

WWW.ACMESHOREY.COM

PHONE (508) 548-9607

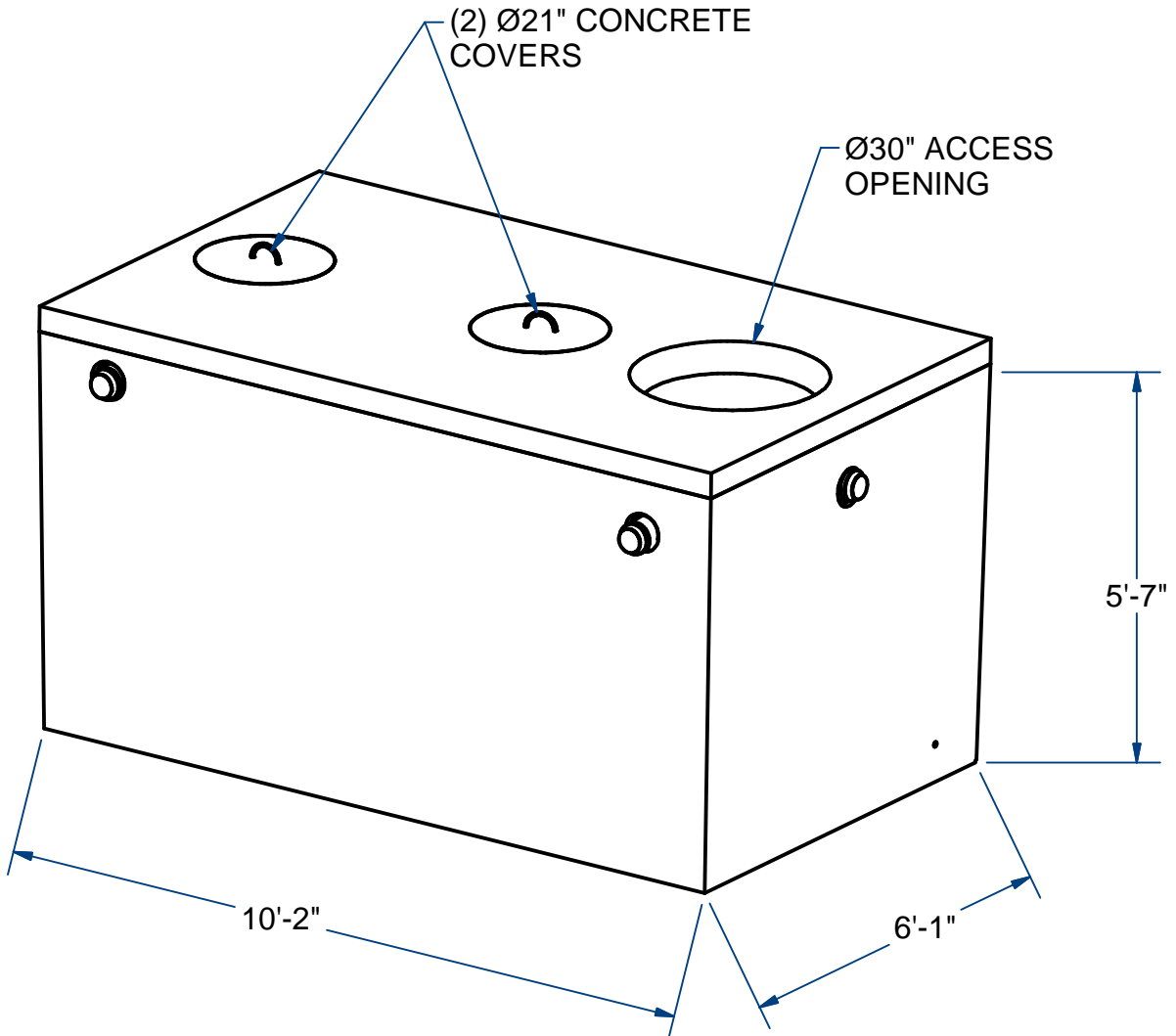
FAX (508) 548-1664

CARVER, MA  
334 TREMONT STREET

HARWICH, MA  
36 GREAT WESTERN ROAD

NOTES:

- 1.) SEAM SEALED WITH FLEXIBLE BUTYL RUBBER SEALANT.



## PUMP CHAMBER, MONOLITHIC

H10

1500 Gallon

ITEM# PC15M30H

Wt. 13,000 Lbs

2 -4.2

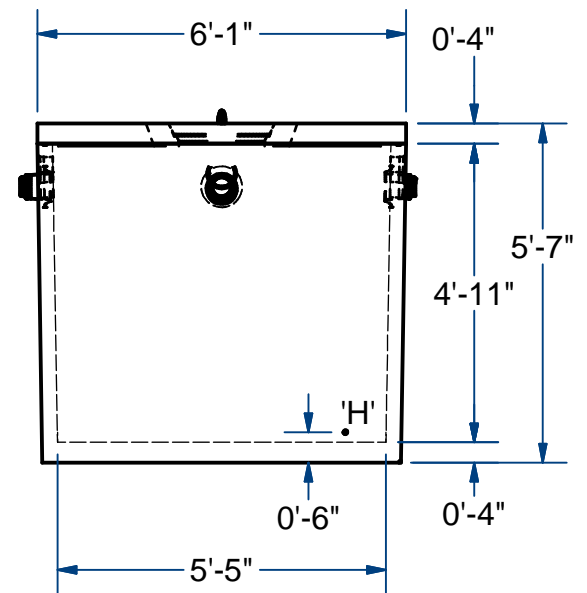
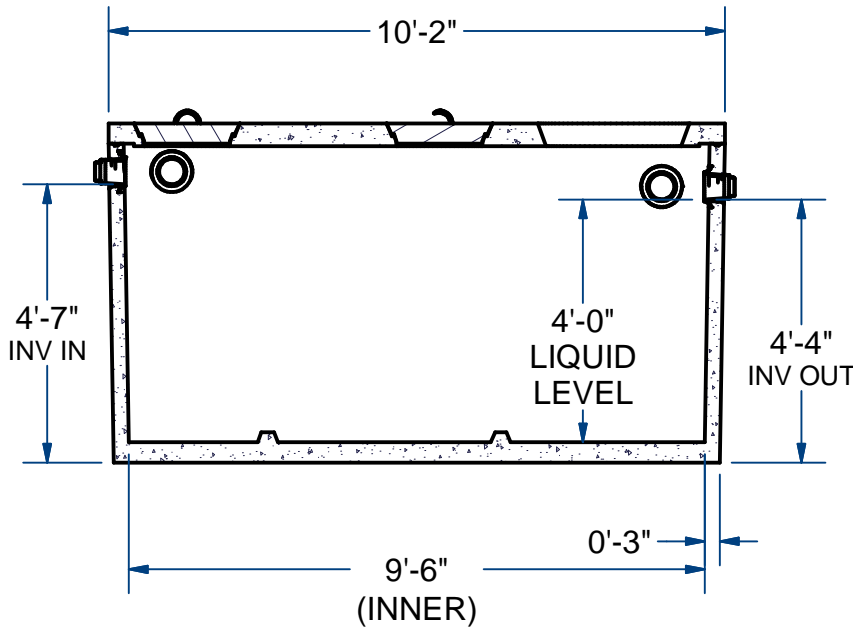
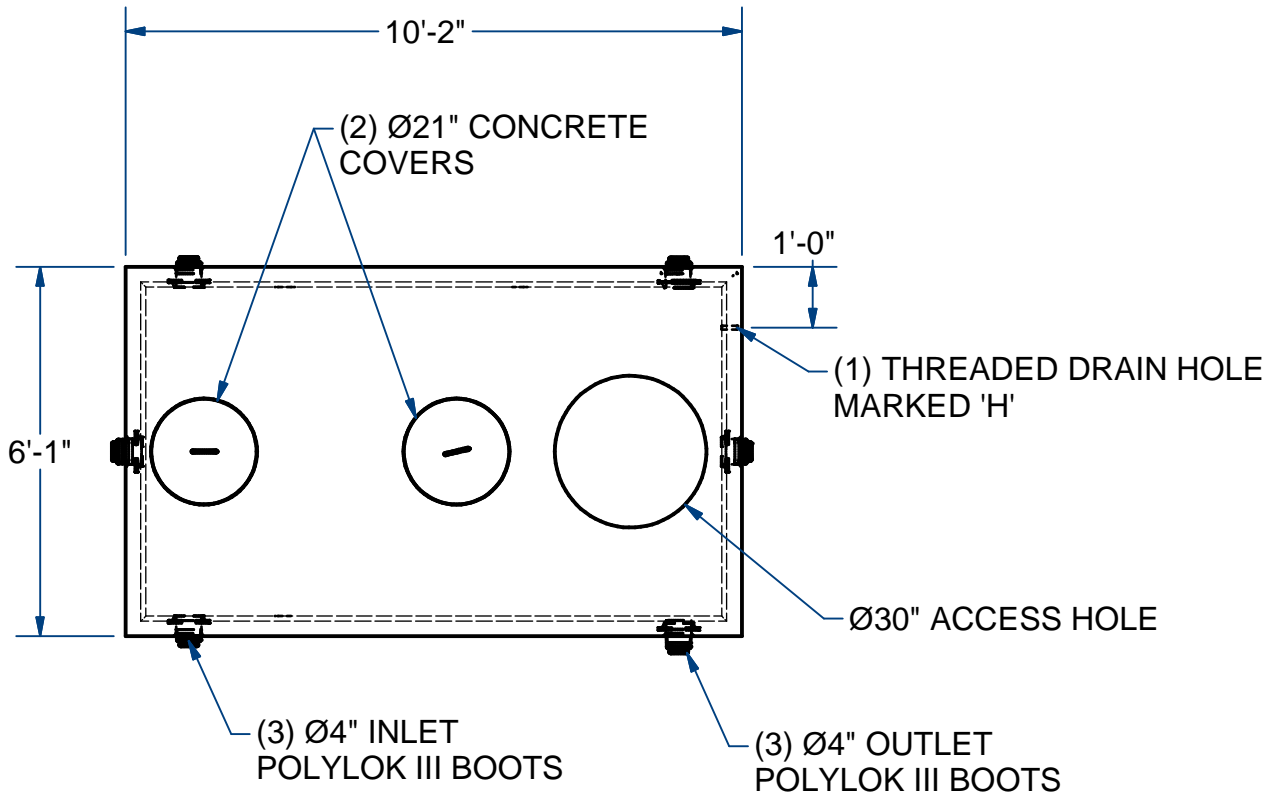
Sht 1 of 2

# ACME-SHOREY

PRECAST CONCRETE PRODUCTS

**NOTES:**

- 1.) SEAM SEALED WITH FLEXIBLE BUTYL RUBBER SEALANT.
- 2.) EXT BASE 6" X 6" ADDS 1250 Lbs.



**NAME: PUMP CHAMBER MONO, 1500 Gallon**

**H-10**

**ITEM# PC15M30H**

Concrete Minimum Strength: 4,000 p.s.i. at 28 days  
 Steel Reinforcement: ASTM A615, Grade 60  
 Design Loading: standard units - AASHTO - H10

TOP 3,250 Lbs  
 BOTTOM 9,750 Lbs

H

DATE: 3-27-23

Ch 2 Pg 4.3 Sht 2 of 2